

**JUMO GmbH & Co. KG**  
 Delivery address: Mackenrodtstraße 14  
 36039 Fulda, Germany  
 Postal address: 36035 Fulda, Germany  
 Phone: +49 661 6003-0  
 Fax: +49 661 6003-607  
 Email: mail@jumo.net  
 Internet: www.jumo.net

**JUMO Instrument Co. Ltd.**  
 JUMO House  
 Temple Bank, Riverway  
 Harlow, Essex CM 20 2DY, UK  
 Phone: +44 1279 63 55 33  
 Fax: +44 1279 62 50 29  
 Email: sales@jumo.co.uk  
 Internet: www.jumo.co.uk

**JUMO Process Control, Inc.**  
 6733 Myers Road  
 East Syracuse, NY 13057, USA  
 Phone: +1 315 437 5866  
 Fax: +1 315 437 5860  
 Email: info.us@jumo.net  
 Internet: www.jumousa.com



# JUMO dTRANS p20 DELTA

## Differential pressure transmitter



### Brief description

The JUMO dTRANS p20 DELTA differential pressure transmitter with HART® interface combines maximum precision with simple operation. It is used to measure the differential pressure of gases, vapors and liquids. The integrated LCD shows measurements and device data. In the version with "Ex ia (intrinsically safe)" explosion protection, the differential pressure transmitter can be fitted up to zone 0.

The housing and sensors are made from high-quality stainless steel. It is also possible to connect remote seals for special process engineering applications (see data sheets 409772 to 409784).

The transmitter is programmable, making it readily adaptable to a variety of different measurement tasks. A user-friendly setup program is available as an accessory, for operation via interfaces. A rotary knob ensures highly convenient and fast local, manual operation.

For the "Ex d" explosion protection version, see data sheet 403023.

For the relative and absolute pressure version, see data sheet 403025 and 403026.



Type 403022/0-0-1-...

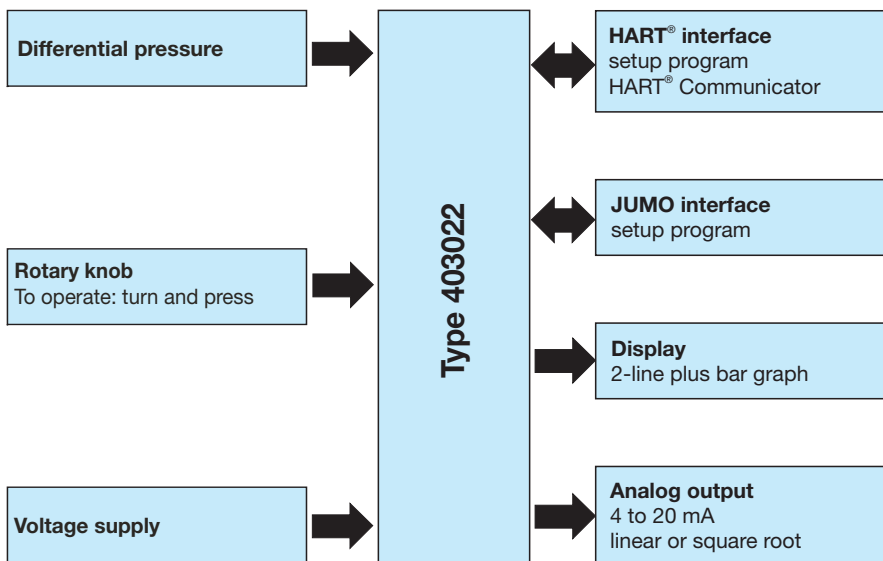


Type 403022/0-0-2-...



Type 403022/0-0-3-...

### Block diagram



### Key features

- Stainless steel housing
- HART® interface
- Ex ia explosion protection (gas and dust) according to ATEX, INMETRO and EAC
- 0.07 % linearity
- Rotary knob for ease of operation
- Setup program
- LCD display with bar graph
- Display scaling with a choice of measurement units
- Display of sensor temperature
- Display of minimum and maximum pressures
- Current sensor function
- Characteristic and display also adjustable for flow measurement

### Approvals/marks of conformity (see Technical data)



**JUMO GmbH & Co. KG**  
 Delivery address: Mackenrodtstraße 14  
 36039 Fulda, Germany  
 Postal address: 36035 Fulda, Germany  
 Phone: +49 661 6003-0  
 Fax: +49 661 6003-607  
 Email: mail@jumo.net  
 Internet: www.jumo.net

**JUMO Instrument Co. Ltd.**  
 JUMO House  
 Temple Bank, Riverway  
 Harlow, Essex CM 20 2DY, UK  
 Phone: +44 1279 63 55 33  
 Fax: +44 1279 62 50 29  
 Email: sales@jumo.co.uk  
 Internet: www.jumo.co.uk

**JUMO Process Control, Inc.**  
 6733 Myers Road  
 East Syracuse, NY 13057, USA  
 Phone: +1 315 437 5866  
 Fax: +1 315 437 5860  
 Email: info.us@jumo.net  
 Internet: www.jumousa.com



## Technical data

### General

Reference conditions	DIN 16086, DIN EN 60770 and DIN IEC 770/5.3
Sensor system	Silicon sensor with stainless steel separating diaphragm
Pressure transfer medium	
For measuring system filling medium 1	Silicon oil
For measuring system filling medium 2	Halogenized filling oil
Permissible load change	> 10 million
Location	
Mounting position	Any
Calibration position	Device standing vertically, process connection on bottom
Position-dependent zero point offset	≤ 1 mbar Zero point calibration possible locally or via setup.
Display	LCD, two-line with bar graph
Alignment	Display unit can be rotated 90° at a time Housing can be rotated ±160°
Size	Display field 22 × 35 mm/font size 7 mm/5-digit
Color	Black
Measurement unit display options	
Input pressure	inH <sub>2</sub> O, inHg, ftH <sub>2</sub> O, mmH <sub>2</sub> O, mmHg, psi, bar, mbar, kg/cm <sup>2</sup> , kPa, Torr, MPa, mH <sub>2</sub> O
Measurement value	% or scaled with a freely adjustable measurement unit
Output current	mA
Sensor temperature	°C; °F
Additional display data	Minimum pressure, maximum pressure, error, overrange, underrange, operating hours
Operation	
Local	With rotary knob and LCD
Setup program	Via interface
Interface	
Standard	JUMO interface <sup>a</sup> , socket at front
For output 410 (4 to 20 mA with HART®)	JUMO interface <sup>a</sup> and HART® interface

<sup>a</sup> The JUMO interface must not be used for devices with ATEX Ex ia explosion protection! These devices can be operated by the rotary knob or via the HART® interface.

### Input

Nominal pressure					
Nominal measuring range	-10 to +10 mbar DP	-1 to +1 bar DP	0 to +1 bar DP	-1 to +6 bar DP	-1 to +100 bar DP
Nominal pressure (bar)	PN2	PN210	PN210, optional PN420		

### Output

Analog output	
For output 405	4 to 20 mA, two wires
For output 410	4 to 20 mA, two wires with HART® version 7 (version 5 optional, extra code 932)
Step response time T <sub>60</sub>	≤ 190 ms without damping
Damping	adjustable, 0 to 100 s
Burden	
For output 405 (4 to 20 mA)	Burden ≤ (U <sub>B</sub> -12 V) ÷ 0.022 A
For output 410 (4 to 20 mA with HART®)	Burden ≤ (U <sub>B</sub> -12 V) ÷ 0.022 A; additional: min. 250 Ω, max. 1100 Ω

**JUMO GmbH & Co. KG**  
 Delivery address: Mackenrodtstraße 14  
 36039 Fulda, Germany  
 Postal address: 36035 Fulda, Germany  
 Phone: +49 661 6003-0  
 Fax: +49 661 6003-607  
 Email: mail@jumo.net  
 Internet: www.jumo.net

**JUMO Instrument Co. Ltd.**  
 JUMO House  
 Temple Bank, Riverway  
 Harlow, Essex CM 20 2DY, UK  
 Phone: +44 1279 63 55 33  
 Fax: +44 1279 62 50 29  
 Email: sales@jumo.co.uk  
 Internet: www.jumo.co.uk

**JUMO Process Control, Inc.**  
 6733 Myers Road  
 East Syracuse, NY 13057, USA  
 Phone: +1 315 437 5866  
 Fax: +1 315 437 5860  
 Email: info.us@jumo.net  
 Internet: www.jumousa.com



**Voltage supply**

For version Explosion protection 0 (none) Explosion protection 1 (ATEX Ex ia)	DC 12 to 36 V DC 12 to 28 V The voltage supply must be intrinsically safe and must not exceed the following maximum values: $U_i \leq DC\ 28\ V$ $I_i \leq 115\ mA$ $P_i \leq 750\ mW$ $C_i = 6\ nF$ $L_i = 105\ \mu H$
---	--

**Mechanical properties**

Process connection Materials Membrane For process connection 20 (Edelstahl) For process connection 82 (Hastelloy®) For process connection 80 (tantalum) Flange Seal	Stainless steel 316L Hastelloy® C276, mat. no.: 2.4819 Tantalum Stainless steel 316 PTFE
Housing Material For housing 1 (short, stainless steel) For housing 2 (long, stainless steel) For housing 3 (precision casting) For cover material 20 (stainless steel) For cover material 85 (plastic) For electrical connection 36 (M12 x 1 round plug) For electrical connection 82 (cable gland, plastic) For electrical connection 93 (cable gland, metal) For operation 0 (without control knob) For operation 1 (with control knob)	Stainless steel 1.4404 Stainless steel 1.4404, VMQ Precision casting 1.4408 Precision casting 1.4408, seal FPM PA, FPM seal Nickel-plated brass PA Nickel-plated brass - PA
Explosion protection For explosion protection 0 (none) For explosion protection 1 (ATEX Ex ia)	The device is <b>not</b> approved for use in hazardous (Ex) areas. EC-type examination certificate SEV 09 ATEX 0138 X II 1G Ex ia IIC T4 Ga II 1D Ex ia IIIC T105 °C Da
Weight Type 403022/0-0-1 (short housing) Type 403022/0-0-2 (long housing) Type 403022/0-0-3 (precision casting housing) For extra code 694 (increased nominal pressure)	Approx. 3.0 kg Approx. 3.3 kg Approx. 4.0 kg The device weight increases by approx. 3.8 kg.

**JUMO GmbH & Co. KG**  
 Delivery address: Mackenrodtstraße 14  
 36039 Fulda, Germany  
 Postal address: 36035 Fulda, Germany  
 Phone: +49 661 6003-0  
 Fax: +49 661 6003-607  
 Email: mail@jumo.net  
 Internet: www.jumo.net

**JUMO Instrument Co. Ltd.**  
 JUMO House  
 Temple Bank, Riverway  
 Harlow, Essex CM 20 2DY, UK  
 Phone: +44 1279 63 55 33  
 Fax: +44 1279 62 50 29  
 Email: sales@jumo.co.uk  
 Internet: www.jumo.co.uk

**JUMO Process Control, Inc.**  
 6733 Myers Road  
 East Syracuse, NY 13057, USA  
 Phone: +1 315 437 5866  
 Fax: +1 315 437 5860  
 Email: info.us@jumo.net  
 Internet: www.jumousa.com



**Ambient conditions**

Permissible temperatures Operation	Version	Category	Max. medium temperature	Ambient temperature <sup>a</sup>	Extended ambient temperature (extra code 681) <sup>a, b</sup>
	Standard		+110 °C	-40 to +85 °C	-50 to +85 °C
	II 1G Ex ia	T4	+100 °C	-40 to +60 °C	-50 to +60 °C
	II 1D Ex ia	T105 °C	+100 °C	-40 to +60 °C	-50 to +60 °C
Storage	-40 to +85 °C				
Permissible relative humidity Operation	100 % incl. condensation on device outer sleeve				
Storage	90 % without condensation				
Permissible mechanical loading Vibration performance	2 g, 10 to 500 Hz to DIN EN 60770-3				
Shock resistance	15 g for 6 ms to IEC 60068-2-29				
Electromagnetic compatibility Interference emission	To EN 61326 Class B				
Interference resistance	Industry				
Protection Version					
Explosion protection 0 (none)	IP67 to DIN EN 60529				
Explosion protection 1 (ATEX Ex ia)	IP66 to DIN EN 60529				

<sup>a</sup> Restricted function below -20 °C: stationary use, increased danger of broken cable, display does not function; device cannot be operated when temperature is under -30 °C.

<sup>b</sup> In the range from -40 to -50 °C the device must be permanently in operation. Additionally, the lid with the device inspection glass must also be protected against mechanical impact and shock effects. Please contact JUMO for further details.

**Accuracy**

Differential pressure					
Nominal measuring range	-10 to +10 mbar DP	-1 to +1 bar DP	0 to 1 bar DP	-1 to +6 bar DP	-1 to +100 bar DP
Factory setting for measuring range	0 to 10 mbar	0 to 1 bar		0 to 6 bar	0 to 100 bar
Minimum span	1 mbar <sup>a</sup>	5 mbar <sup>a</sup>		0.350 bar	2.5 bar
Turndown ratio (r) <sup>b</sup>	r ≤ 20	r ≤ 400	r ≤ 200	r ≤ 20	r ≤ 40.4
Linearity for linear characteristic as % of the set span	0.1 % for r ≤ 2	0.07 % for r ≤ 10		0.07 % for r ≤ 5	
	r × 0.05 % for 2 ≤ r ≤ 20	r × 0.007 % for 10 ≤ r ≤ 400	r × 0.007 % for 10 ≤ r ≤ 200	r × 0.014 % for 5 ≤ r ≤ 20	r × 0.014 % for 5 ≤ r ≤ 40.4
Accuracy at 20°C as % of the set span	0.2 % for r ≤ 2	0.1 % for r ≤ 10		0.1 % for r ≤ 5	
	r × 0.1 % for 2 ≤ r ≤ 20	r × 0.01 % für 10 ≤ r ≤ 400	r × 0.01 % for 10 ≤ r ≤ 200	r × 0.02 % for 5 ≤ r ≤ 20	r × 0.02 % for 5 ≤ r ≤ 40.4
Accuracy at 20 to 85 °C as % of the set span	0.5 % for r ≤ 2 (up to +60 °C)	0.2 % for r ≤ 10		0.2 % for r ≤ 5	
	r × 0.25 % for 2 ≤ r ≤ 20 (up to +60 °C)	r × 0.02 % for 10 ≤ r ≤ 400	r × 0.02 % for 10 ≤ r ≤ 200	r × 0.04 % for 5 ≤ r ≤ 20	r × 0.04 % for 5 ≤ r ≤ 40.4
Accuracy at -40 to +20 °C as % of the set span	1.0 % for r ≤ 2	0.6 % for r ≤ 10		0.6 % for r ≤ 5	
	r × 0.5 % for 2 ≤ r ≤ 20	r × 0.06 % for 10 ≤ r ≤ 400	r × 0.06 % for 10 ≤ r ≤ 200	r × 0.12% for 5 ≤ r ≤ 20	r × 0.12 % for 5 ≤ r ≤ 40.4

**JUMO GmbH & Co. KG**  
 Delivery address: Mackenrodtstraße 14  
 36039 Fulda, Germany  
 Postal address: 36035 Fulda, Germany  
 Phone: +49 661 6003-0  
 Fax: +49 661 6003-607  
 Email: mail@jumo.net  
 Internet: www.jumo.net

**JUMO Instrument Co. Ltd.**  
 JUMO House  
 Temple Bank, Riverway  
 Harlow, Essex CM 20 2DY, UK  
 Phone: +44 1279 63 55 33  
 Fax: +44 1279 62 50 29  
 Email: sales@jumo.co.uk  
 Internet: www.jumo.co.uk

**JUMO Process Control, Inc.**  
 6733 Myers Road  
 East Syracuse, NY 13057, USA  
 Phone: +1 315 437 5866  
 Fax: +1 315 437 5860  
 Email: info.us@jumo.net  
 Internet: www.jumousa.com



Accuracy at 60 to 85 °C as % of the set span	2.0 % for $r \leq 2$				
	$r \times 1.0$ % for $2 \leq r \leq 20$				
Effect of static pressure P (bar) as % of nominal measuring range	$\leq 1\%$	$\leq P \times 0.0005$ %	$\leq P \times 0.0003$ %	$\leq P \times 0.0025$ %	$\leq P \times 0.001$ %
Long-term stability as % of nominal measuring range	$\leq 0.6$ %/year	$\leq 0.1$ %/year			$\leq 0.2$ %/year

<sup>a</sup> For the calibration certificate of JUMO the minimum span is 10 mbar. Spans smaller than 10 mbar can be adjusted by the user.

<sup>b</sup>  $r = \text{span of the nominal measuring range} \div \text{set measuring span}$

## Approvals/marks of conformity

Mark of conformity	Testing laboratory	Certificate/certification number	Test basis	Valid for
ATEX	electrosuisse	SEV 09 ATEX 0138 X	EN 60079-0 EN 60079-11 EN 60079-26	403022/x-1-...
INMETRO	CEPEL	CEPEL 13.2213X	IEC 60079 IEC 60529	Extra code 227
EAC	RU	RU C-DE.ME92.B.00440	-	Extra code 226

**JUMO GmbH & Co. KG**  
 Delivery address: Mackenrodtstraße 14  
 36039 Fulda, Germany  
 Postal address: 36035 Fulda, Germany  
 Phone: +49 661 6003-0  
 Fax: +49 661 6003-607  
 Email: mail@jumo.net  
 Internet: www.jumo.net

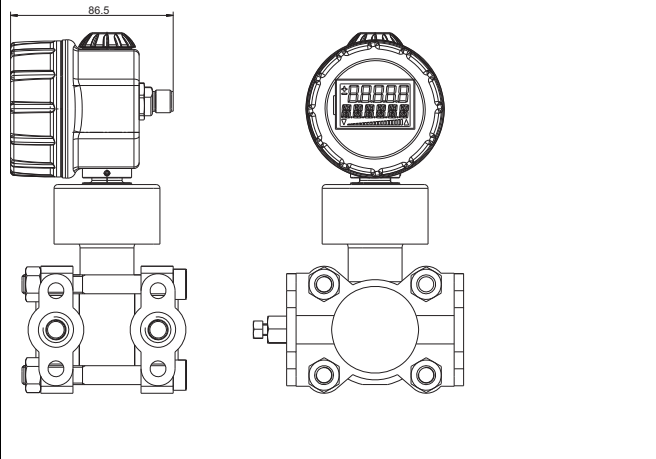
**JUMO Instrument Co. Ltd.**  
 JUMO House  
 Temple Bank, Riverway  
 Harlow, Essex CM 20 2DY, UK  
 Phone: +44 1279 63 55 33  
 Fax: +44 1279 62 50 29  
 Email: sales@jumo.co.uk  
 Internet: www.jumo.co.uk

**JUMO Process Control, Inc.**  
 6733 Myers Road  
 East Syracuse, NY 13057, USA  
 Phone: +1 315 437 5866  
 Fax: +1 315 437 5860  
 Email: info.us@jumo.net  
 Internet: www.jumousa.com

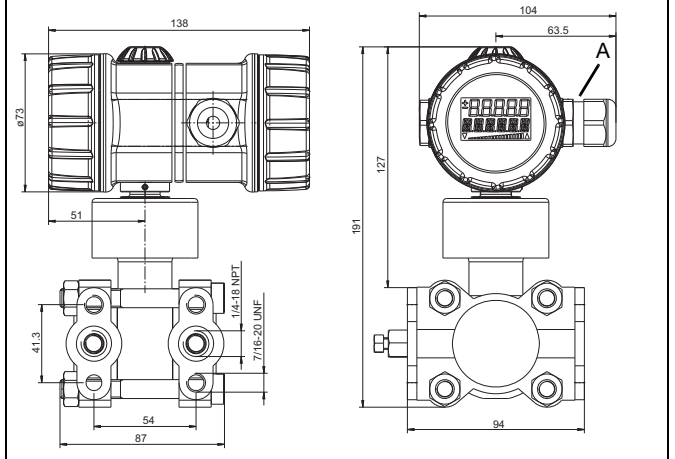


## Dimensions

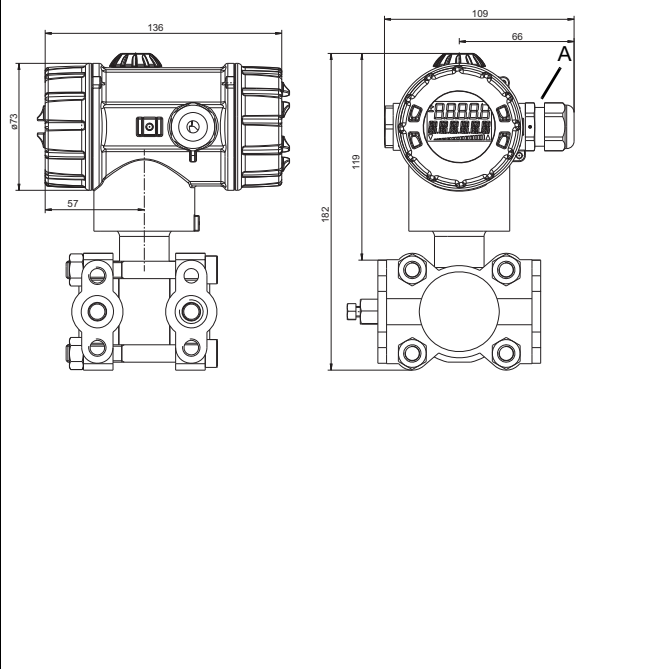
**Type 403022/0-0-1 (short, stainless steel, with M12 connection)**



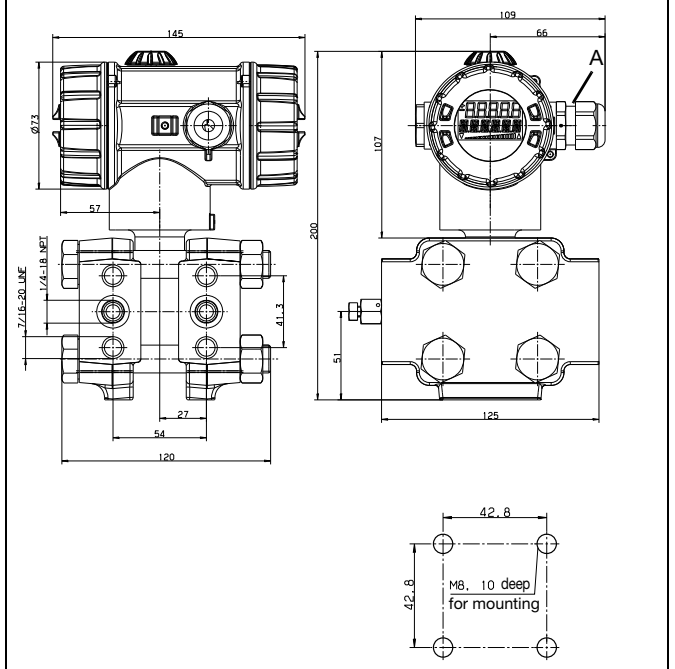
**Type 403022/0-0-2 (long, stainless steel, with cable gland)**



**Type 403022/0-0-3 (precision casting, with cable gland)**



**For extra code 694 (increased nominal pressure PN420)**



A Cable gland M20 × 1.5

**JUMO GmbH & Co. KG**  
 Delivery address: Mackenrodtstraße 14  
 36039 Fulda, Germany  
 Postal address: 36035 Fulda, Germany  
 Phone: +49 661 6003-0  
 Fax: +49 661 6003-607  
 Email: mail@jumo.net  
 Internet: www.jumo.net

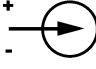




**JUMO Instrument Co. Ltd.**  
 JUMO House  
 Temple Bank, Riverway  
 Harlow, Essex CM 20 2DY, UK  
 Phone: +44 1279 63 55 33  
 Fax: +44 1279 62 50 29  
 Email: sales@jumo.co.uk  
 Internet: www.jumo.co.uk

**JUMO Process Control, Inc.**  
 6733 Myers Road  
 East Syracuse, NY 13057, USA  
 Phone: +1 315 437 5866  
 Fax: +1 315 437 5860  
 Email: info.us@jumo.net  
 Internet: www.jumousa.com

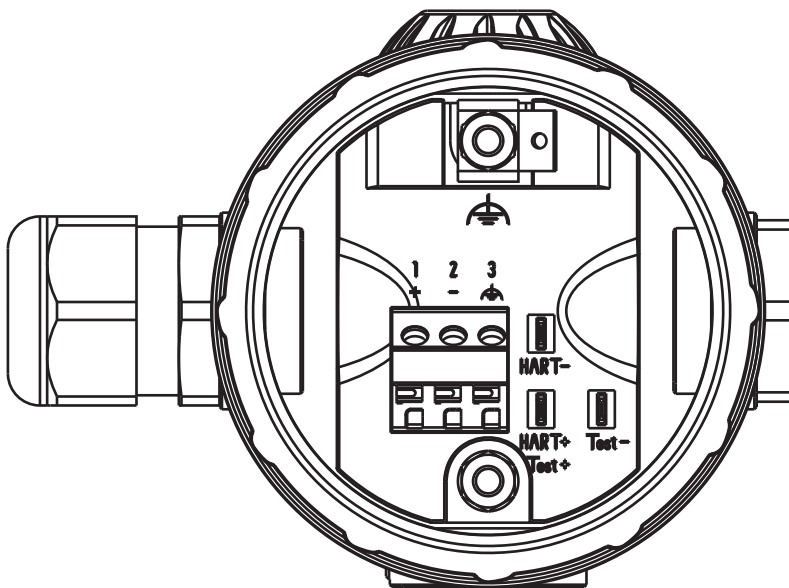


## Connection diagram

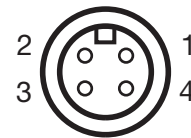
Der Anschlussplan im Typenblatt liefert erste Informationen über die Anschlussmöglichkeiten. Für den elektrischen Anschluss ist ausschließlich die Montageanleitung oder die Betriebsanleitung zu verwenden. Die Kenntnis und das technisch einwandfreie Umsetzen der dort enthaltenen Sicherheitshinweise und Warnungen sind Voraussetzungen für die Montage, den elektrischen Anschluss und die Inbetriebnahme sowie für die Sicherheit während des Betriebs.

Connection		Terminal assignment	
		Cable gland	Round plug M12 x 1
Voltage supply DC 12 to 36 V for <b>none</b> Ex version DC 12 to 28 V for Ex version	+  - 	1 L+ 2 L-	1 L+ 3 L-
Output 4 to 20 mA two wire Impressed current 4 to 20 mA in voltage supply	+  - 	1 L+ 2 L-	1 L+ 3 L-
Current output test connection Inherent resistance of ammeter $\leq 10 \Omega$		TEST + TEST -	
HART® test connection The burden must be present!		HART + HART -	
Functional ground		3	4

Cable gland



Round plug M12 x 1



**JUMO GmbH & Co. KG**

Delivery address: Mackenrodtstraße 14  
36039 Fulda, Germany  
Postal address: 36035 Fulda, Germany  
Phone: +49 661 6003-0  
Fax: +49 661 6003-607  
Email: mail@jumo.net  
Internet: www.jumo.net

**JUMO Instrument Co. Ltd.**

JUMO House  
Temple Bank, Riverway  
Harlow, Essex CM 20 2DY, UK  
Phone: +44 1279 63 55 33  
Fax: +44 1279 62 50 29  
Email: sales@jumo.co.uk  
Internet: www.jumo.co.uk

**JUMO Process Control, Inc.**

6733 Myers Road  
East Syracuse, NY 13057, USA  
Phone: +1 315 437 5866  
Fax: +1 315 437 5860  
Email: info.us@jumo.net  
Internet: www.jumousa.com

**Order details**

<b>(1) Basic type</b>	
403022	JUMO dTRANS p20 DELTA – Differential pressure transmitter
<b>(2) Basic type extension</b>	
0	None
9	Special design
<b>(3) Explosion protection</b>	
0	None
1	ATEX Ex ia <sup>a</sup>
<b>(4) Housing</b>	
1	Short, stainless steel, with M12 connection <sup>b</sup>
2	Long, stainless steel, with cable gland
3	Precision casting, with cable gland
<b>(5) Electrical connection</b>	
36	Round plug, M12 × 1
82	Cable gland, plastic
93	Cable gland, metal
<b>(6) Cover material</b>	
20	CrNi (stainless steel)
85	Plastic
<b>(7) Display</b>	
0	Without display (LCD)
1	With display (LCD)
<b>(8) Operation</b>	
0	Without control knob
1	With control knob
<b>(9) Nominal measuring range</b>	
530	-10 to +10 mbar DP <sup>c, d</sup>
531	-1 to +1 bar DP <sup>d</sup>
532	0 to 1 bar DP
533	-1 to +6 bar DP
534	-1 to +100 bar DP
<b>(10) Output</b>	
405	4 to 20mA, two wire
410	4 to 20mA, two wire with HART <sup>®</sup> protocol
<b>(11) Process connection</b>	
511	2× pressure connection 1/4-18 NPT, to EN 837
998	Suitable for connecting to a diaphragm seal
<b>(12) Process connection material</b>	
20	CrNi (stainless steel)
80	Tantalum
82	NiMo
<b>(13) Measuring system filling medium</b>	
01	Silicon oil
02	Halogenized oil
<b>(14) Extra codes</b>	
000	None
100	Customized setting <sup>e</sup>
226	With GOST/EAC approval <sup>f</sup>
227	With INMETRO approval
624	Free of oil and grease



**JUMO GmbH & Co. KG**  
 Delivery address: Mackenrodtstraße 14  
 36039 Fulda, Germany  
 Postal address: 36035 Fulda, Germany  
 Phone: +49 661 6003-0  
 Fax: +49 661 6003-607  
 Email: mail@jumo.net  
 Internet: www.jumo.net

**JUMO Instrument Co. Ltd.**  
 JUMO House  
 Temple Bank, Riverway  
 Harlow, Essex CM 20 2DY, UK  
 Phone: +44 1279 63 55 33  
 Fax: +44 1279 62 50 29  
 Email: sales@jumo.co.uk  
 Internet: www.jumo.co.uk

**JUMO Process Control, Inc.**  
 6733 Myers Road  
 East Syracuse, NY 13057, USA  
 Phone: +1 315 437 5866  
 Fax: +1 315 437 5860  
 Email: info.us@jumo.net  
 Internet: www.jumousa.com



633	With mounting kit for wall and pipe mounting
634	With TAG number
635	With manufacturer declaration NACE <sup>g</sup>
681	Extended admissible ambient temperature
694	Increased nominal pressure PN 420 bar
932	With HART® version 5

- <sup>a</sup> ATEX Ex ia does not apply in connection with a cable gland made out of plastic (82) and the output 4 to 20 mA (405).
- <sup>b</sup> The short case is only available with a round plug M12 × 1 (36) as electrical connection.
- <sup>c</sup> This input is only available with a process connection made out of stainless steel (20).
- <sup>d</sup> This inputs specified above are not available with an increased nominal pressure (694).
- <sup>e</sup> Please specify required setting in plain text. For factory setting see "Accuracy" section in data sheet.
- <sup>f</sup> Upon request
- <sup>g</sup> Only with process connection material 82 (NiMo); not available with pressure range -10 to +10 mbar and -1 to +1 bar

**Order code**                    (1)    (2)    (3)    (4)    (5)    (6)    (7)    (8)    (9)    (10)    (11)    (12)    (13)    (14)  
 /  -  -  -  -  -  -  -  -  -  -  -  -  -  /   
**Order example**                403022 / 0 - 0 - 2 - 82 - 20 - 1 - 1 - 532 - 405 - 511 - 20 - 1 / 000

## Accessories

Article	Part no.
PC interface with USB/TTL converter <sup>a</sup>	00456352
HART® modem USB <sup>b</sup>	00443447
4-pole terminal box, straight, M12 × 1, with 2 m PVC cable	00404585
4-pole terminal box, angled, M12 × 1, mit 2 m PVC cable	00409334
5-pole terminal box M12 × 1, straight, without cable	00419130
5-pole terminal box M12 × 1, angled, without cable	00419133
SET oval flange 1/2" NPT/accessories set 7/16-20UNF	00543775
Mounting kit, set includes 7/16-20 UNF screws	00543777

	Data Sheet
Manifolds	409706
Pressure separator with milk pipe fitting DIN 11851	409772
Pressure separator with clamp connection	409774
Pressure separator with DRD flange or Varivent connection	409776
Pressure separator with ISS connection or SMS connection or RJT connection and slotted ring nut	409778
Diaphragm chemical seals 4MDV-10	409780
Pressure separator with male thread ISO 228/1 or ANSI B 1.201	409782
Pressure separator with flange connection EN 1092-1 with sealing lip Form B1	409784
Pressure separator with flange connection to ANSI B 16.5 with sealing lip Form RF	409786
Ex-i Power supply/input isolating amplifier	707530

- <sup>a</sup> The PC interface cable is the connection between the JUMO interface of the differential pressure transmitter and the USB interface of a PC.
- <sup>b</sup> The HART® modem is the connection between the HART® interface of the differential pressure transmitter and the USB interface of a PC.

## Software

Article	Part no.
JUMO Setup dTRANS p20 series	00537577