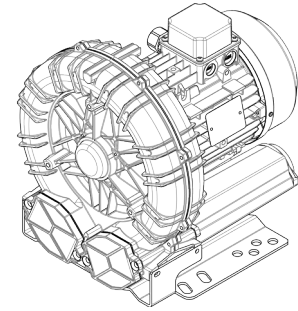




| Technical Characteristics | |
|--|--|
| <ul style="list-style-type: none"> - Aluminum alloy construction - Smooth operation - Maintenance free | |
| Electric Motor | |
| <ul style="list-style-type: none"> - IE3 Wide Range cURus Motors - IP 55 protection rating, class F insulation, suitable for operating with inverter (refer to FPZ) - Thermal Protector (PTO) as standard | |
| Options | |
| <ul style="list-style-type: none"> - Special voltages (IEC 60038) - Surface treatments - Increased seal version | |

| ~3 | [V] (Y / Δ) | [Hz] |
|------------|-----------------------|------|
| IE3 | 400 / 230 | 50 |
| | 460 / 265 | 60 |
| Wide Range | 345 - 415 / 200 - 240 | 50 |
| | 380 - 480 / 220 - 280 | 60 |

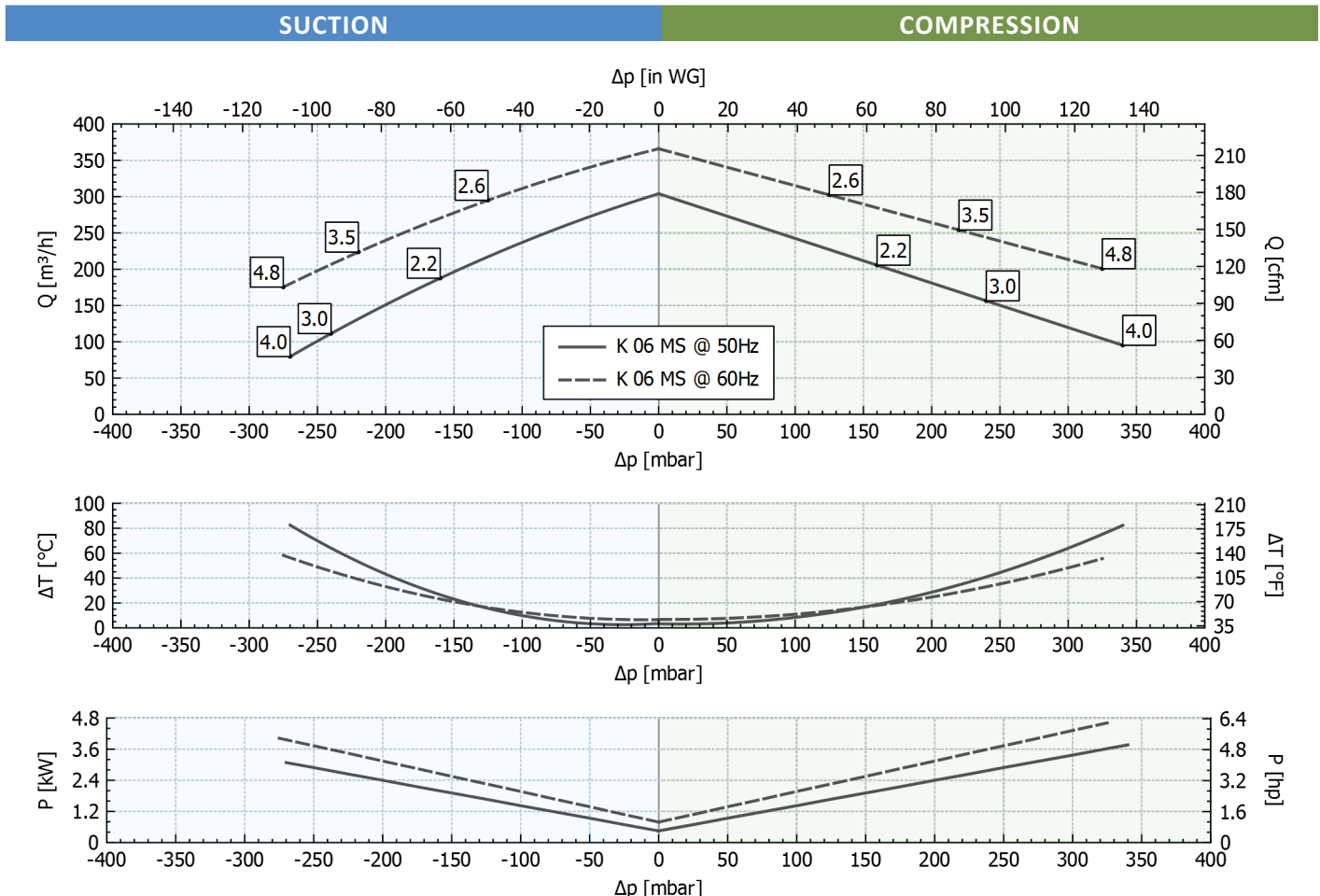
Supply voltage - [Tolerance on the fixed voltage value ± 10%, in range ± 5%.]



Performance Table

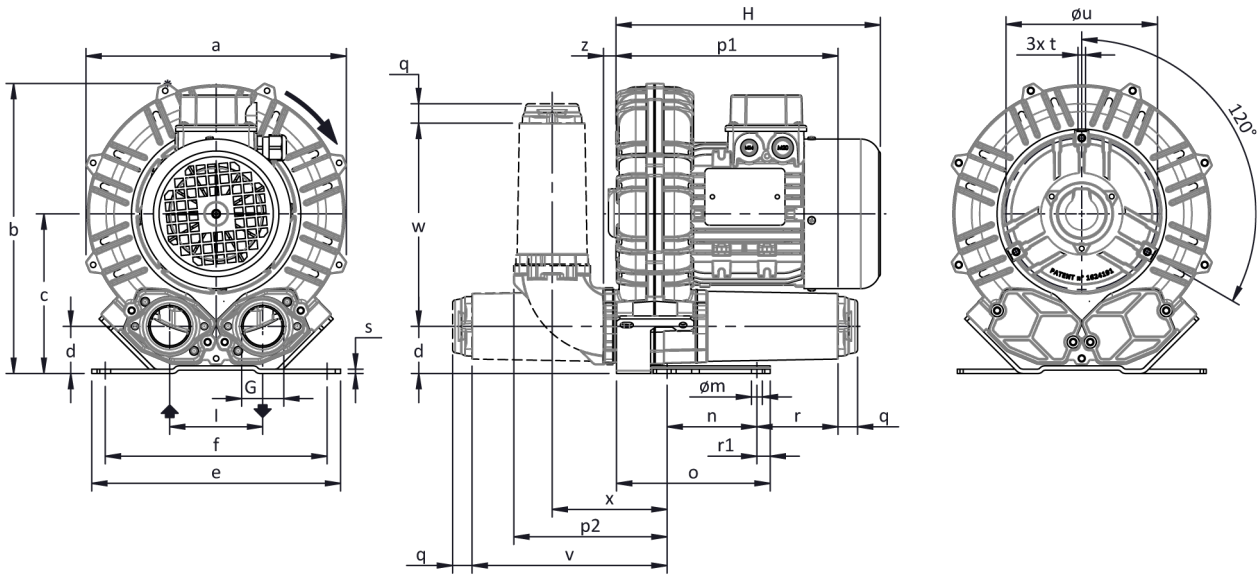
| P _n [kW] | Frequency [Hz] | Δp _{max} [mbar] | | Q _{max} [m³/h] | Leq ¹ [dB(A)] | Weight [kg] | H ² [mm] | Current Consumption (Y/Δ) [A] | | Cosφ [-] | Speed [rpm] |
|---------------------|----------------|--------------------------|-------------|-------------------------|--------------------------|-------------|---------------------|-------------------------------|-----------------------|----------|-------------|
| | | Suction | Compression | | | | | IE3 | Range | | |
| 2.2 | 50 | 160 | 160 | 304 | 70 | 31 | 350 | 4.49 / 7.78 | 4.90-4.55 / 8.49-7.88 | 0.82 | 2900 |
| 2.6 | 60 | 125 | 125 | 366 | 72 | 31 | 350 | 4.46 / 7.72 | 5.23-4.47 / 9.06-7.74 | 0.84 | 3495 |
| 3 | 50 | 240 | 240 | 304 | 70 | 37 | 360 | 6.25 / 10.8 | 6.66-6.43 / 11.5-11.1 | 0.80 | 2930 |
| 3.5 | 60 | 220 | 220 | 366 | 72 | 37 | 360 | 6.20 / 10.7 | 7.05-6.19 / 12.2-10.7 | 0.82 | 3525 |
| 4 | 50 | 270 | 340 | 304 | 70 | 38.5 | 380 | 7.93 / 13.7 | 8.55-8.06 / 14.8-14.0 | 0.82 | 2910 |
| 4.8 | 60 | 275 | 325 | 366 | 72 | 38.5 | 380 | 7.94 / 13.8 | 9.31-7.93 / 16.1-13.7 | 0.85 | 3500 |

1. Noise level measured at a distance of 1 m with ducted intake and delivery, in accordance with Standard ISO 3744.
2. See figure "dimensions" at following page.



Tolerance on indicated values ± 10%.
Data subject to change without notice.
Curves referring to air at a temperature of 20 °C and atmospheric pressure of 1013 mbar (abs).

Dimensions



Configuration with a vertical silencer is only available with the CK accessory kit; for all assembly options refer to FPZ.

Dimensions in mm

NOT Binding

| a | b | c | d | d1 | e | f | G | l | l1 | l2 | m | n | o | p1 | p2 | q | r | r1 | s | t | u | v | w | x | y | z |
|-----|-----|-----|----|----|-----|-----|------|-----|----|----|----|-----|-----|-----|-----|----|----|----|---|----|-----|-----|-----|-----|---|----|
| 376 | 393 | 205 | 54 | - | 325 | 290 | G 2" | 125 | - | - | 15 | 140 | 265 | 334 | 244 | 18 | 85 | 19 | 4 | M8 | 240 | 332 | 285 | 198 | - | 19 |

INSTALLATION

- For proper operation of the machine, it must be provided with a suction FILTER and a vacuum/pressure limiting VALVE.
- Other accessories are available on request.
- Permissible ambient and fluid temperature in suction from -15 °C to +40 °C.
- Read the instruction manual carefully before installing the machine.