

Technical Data

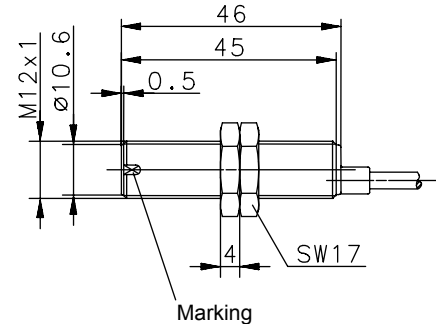
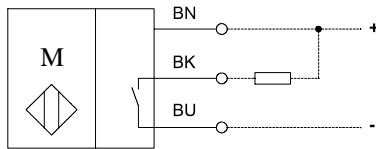
Magnetic Gear Tooth Sensors

Series MA-62

Type designation **MEM-M12ND/H-K2**

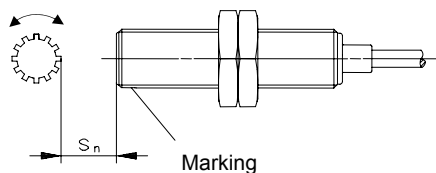
Item number **6369662028**

Wiring diagram



Positioning

Actuator Sensor



Characteristic features in accordance with EN 60947-5-2

Electrical data

Rated operating distance	S_n	0 - 2 mm (ferromagnetic material)
Switching function		NPN, open collector
Operational voltage range	U_B	10 V - 36 V DC
Voltage drop	U_d	$\leq 0,5$ V
No load supply current	I_o	≤ 15 mA
Maximum output current	I_L	20 mA
Switching element		Hall, magnetic biased
Short-circuit protection		yes
Frequency of operating cycles	f	20 kHz
False polarity protection		yes

Electromagnetic compatibility (EMC)

Electromagnetic field test	IEC 61000-4-3
Electrostatic discharge test	IEC 61000-4-2
Electrical fast transient immunity test (Burst)	IEC 61000-4-4
Radiated disturbance field strength	EN 55011

Mechanical Data

Front cap	PA6.6, black
Enclosure	CUZn39Pb3, nickel plated
End cap	PA 6.6, black
Ambient air temperature	-25 °C ... +70 °C (cable fixed mounted)
Type of protection	IP67 acc. to IEC 529, EN 60529
Termination type	cable 3 x 0,14 mm ² x 2 m; PVC-Outer jacket, black
For attachment	2 x hexagon nut

EU Conformity



This document will not become the contractual basis; the details included herein do not constitute any descriptions of expected conditions, so that warranties/claims for defects on account of possible variations of the actual from the here described condition are excluded. Subject to modifications and amendments.

Date of issue: 24.07.2008 / Page 1 of 1
Document: 6369662028_en.doc / Last update: 1 / 0175-08