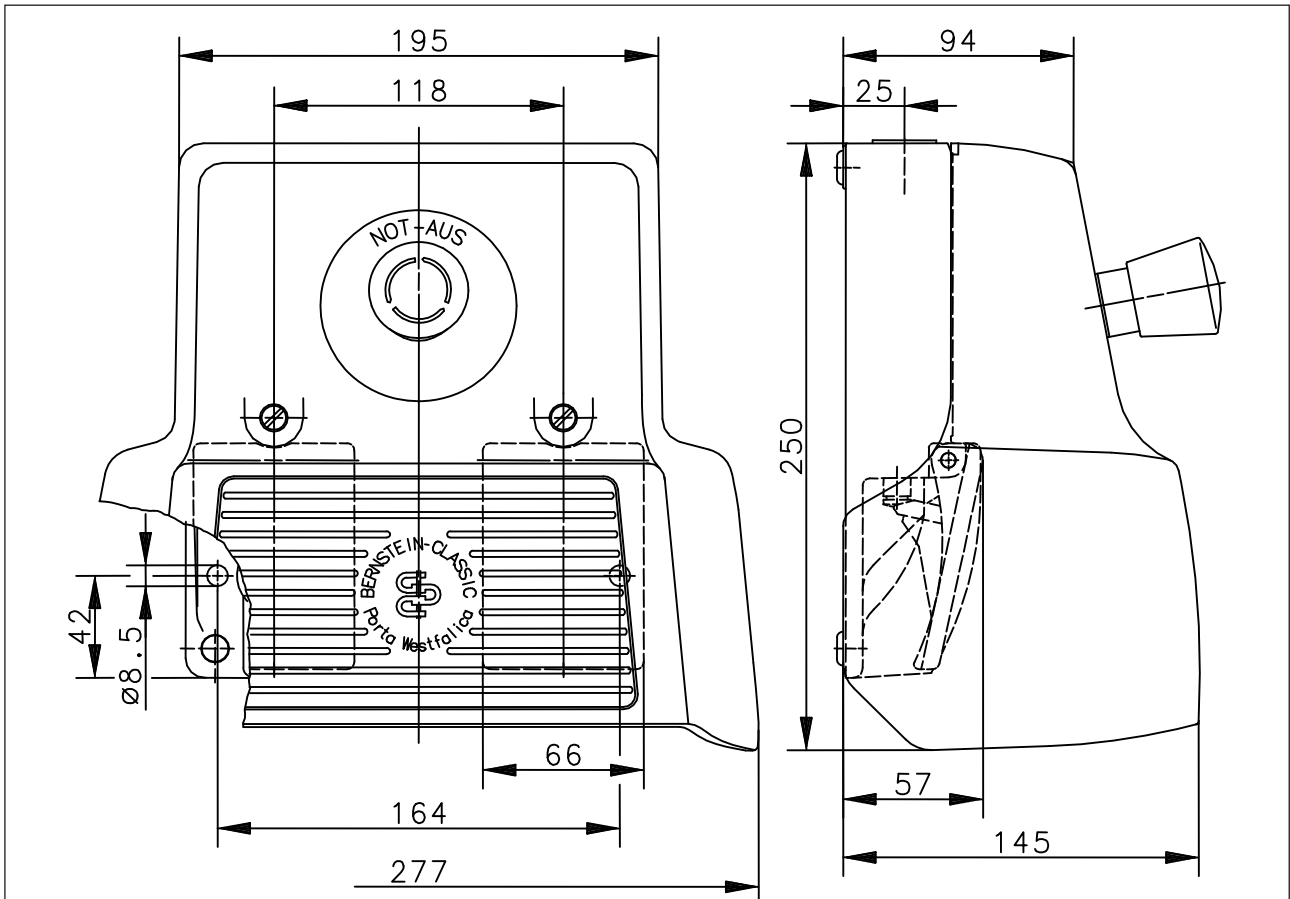


**Foot-switch**  
Series F2 UN

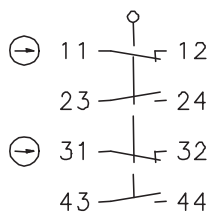
Description **F2-U2Z/U2Z NA2 UN**

Article number **6162720700**

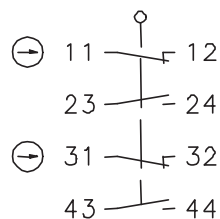


**Switching symbol**

Pedal left



Pedal right



Emergency stop

Button – self latching



Electrical Data			
		Contact	Emergency stop
Rated insulation voltage	$U_i$	400 V AC	400 V AC
Conv. thermal current	$I_{the}$	10 A	10 A
Rated operational voltage	$U_e$	240 V	230 V
Utilization category		AC-15, $U_e / I_e$ 240 V AC / 3 A	AC-15, $U_e / I_e$ 230 V AC / 6 A
Direct opening action	⌚	acc. to IEC/EN 60947-5-1, annex K	
Short-circuit protective device		Fuse 10 A gG	
Protection class		I (referred to the complete foot-switch)	

Mechanical data	
Enclosure	AL, die-cast
Protective guard (Accident protection cover UN)	AL, die-cast
Actuator	Foot lever (PA)
Ambient air temperature	-25 °C to +60 °C
Contact type	4 NC, 4 NO. (Zb)
Operating force (pedal centre)	10 N
Mechanical life	10 x 10 <sup>6</sup> operating cycles
Switching frequency	max. 50/min
Assembly	2 x M8
Connection	screw connections (M3,5)
Number of connection	16
Protection ground	2 x M4
Conductor cross-sections	Solid: 0,5 ... 1,5 mm <sup>2</sup> Litz wire with ferrules: 0,5 ... 1,5 mm <sup>2</sup>
Cable entrance	1 x M20 x 1,5
Weight	≈ 2,6 kg
Protection type	IP67 in accordance with IEC/EN 60529

ID for safety engineering	
B10d	20 x 10 <sup>6</sup> cycles

Regulations	
	VDE 0660 T100, DIN EN 60947-1, IEC 60947-1
	VDE 0660 T200, DIN EN 60947-5-1, IEC 60947-5-1
	DIN EN ISO 13849-1

EU Conformity	
	acc. to directive 2014/35/EU

Notes	
Not used tapped holes must be closed with pegs. The degree of protection (IP code) specified applies solely to a properly closed cover and the use of an at least equivalent cable gland.	