



## MVH 017-22Y

- 3 Cable entry M 20 x 1.5
- Metal enclosure
- 4 Contacts
- 67 mm x 130 mm x 43 mm ( basic component)
- Actuator head can be repositioned in steps 4 x 90°
- Continuous adjustment of lever position 360°
- Lever can be transposed by 180°

## Data

### Ordering data

Product type description	MVH 017-22Y
Article number (order number)	101060366
EAN (European Article Number)	4030661041032
eCl@ss number, version 12.0	27-27-06-01
eCl@ss number, version 11.0	27-27-06-01
eCl@ss number, version 9.0	27-27-06-01
ETIM number, version 7.0	EC000030
ETIM number, version 6.0	EC000030

### Approvals - Standards

Certificates	CCC EAC
--------------	------------

### General data

Standards	EN IEC 60947-5-1
Working principle	mechanical
Slide form	Castor
Enclosure material	Light-alloy diecast, paint finish
Enclosure coating material	painted
Material of the contacts, electrical	Silver
Gross weight	430 g

### General data - Features

Number of normally closed (NC)	2
Number of normally open (NO)	2

### Mechanical data

Actuating element	Roller lever
Roller material	Plastic
Mechanical life, minimum	5,000,000 Operations
Actuating angle, from left of switch axis	30 °
Actuating angle, from right of switch axis	30 °
Contact opening	2 x 1.2 mm
Actuating speed, minimum	1 mm/min
Actuating speed, maximum	3 m/s
Note (Actuating speed)	Actuating speed with vertical actuating angle to switch axis
Actuating torque	0.2 Nm

### Mechanical data - Connection technique

Termination	Screw terminals M20 x 1.5
Cable section, minimum	1.5 mm <sup>2</sup>
Cable section, maximum	2.5 mm <sup>2</sup>

Note (Cable section)	All indications including the conductor ferrules.
Wire cross-section	13 AWG

### Mechanical data - Dimensions

Length of sensor	43 mm
Width of sensor	67 mm
Height of sensor	188 mm
Width of Castor	8.5 mm
Diameter of Castor	20 mm

### Ambient conditions

Degree of protection	IP65
Ambient temperature, minimum	-30 °C
Ambient temperature, maximum	+90 °C

### Ambient conditions - Insulation values

Rated insulation voltage $U_i$	500 V
--------------------------------	-------

### Electrical data

Thermal test current	10 A
Utilisation category AC-15	400 VAC
Utilisation category AC-15	2.5 A
Switching element	NO contact, NC contact
Note (Switching element)	galvanically separated contact bridges
Switching principle	Snap action
Bounce duration, maximum	2.5 ms
Switchover time, maximum	40 ms

## Ordering code

Product type description:

(1)(2) 017-(3)Y-(4)

(1)

---

**T** Slow action (not for AF/S)

**M** Snap action

(2)

---

**S** Plunger S

**2S** Telescopic plunger 2S

**K** Offset roller lever K

**2K** Tilt lever 2K

**3K** Angle roller lever 3K

**8H** Roller lever 8H

**7H** Roller lever 7H

**10H** Rod lever 10H

**H** Roller lever H

**4H** Spring rod lever on shaft 4H

**2H** Leaf spring lever 2H

**3H** Roller lever 3H

**9H** Rod lever 9H

**6H** Leaf spring lever 6H

(3)

---

**22** 2 NO contacts/2 NC contact

**13** 1 NO contacts/3 NC contact

**31** 3 NO contacts/1 NC contact

(4)

---

**UE** Slow action with overlapping contacts

H Slow action with staggered contacts

C Magnetic blow-out

## Pictures

### Product picture (catalogue individual photo)

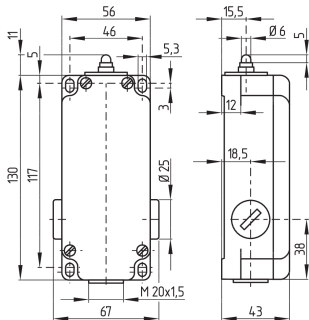


ID: kts17f09

| 852.6 kB | .jpg | 352.778 x 726.017 mm - 1000 x 2058 px - 72 dpi

| 74.2 kB | .png | 74.083 x 152.4 mm - 210 x 432 px - 72 dpi

### Dimensional drawing basic component



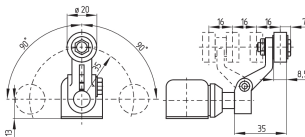
ID: 1t017g01

| 30.5 kB | .cdr |

| 9.1 kB | .png | 74.083 x 51.153 mm - 210 x 145 px - 72 dpi

| 187.6 kB | .jpg | 352.778 x 365.831 mm - 1000 x 1037 px - 72 dpi

### Dimensional drawing actuator

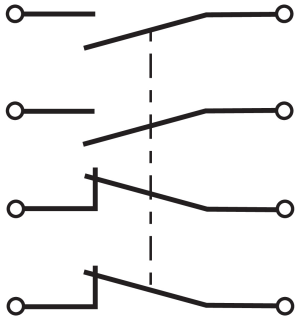


ID: 1t15vb01

| 10.3 kB | .png | 74.083 x 51.858 mm - 210 x 147 px - 72 dpi

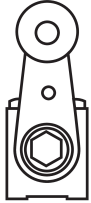
| 114.5 kB | .jpg | 352.778 x 247.297 mm - 1000 x 701 px - 72 dpi

## Diagram



ID: k2o2sk04  
| 19.1 kB | .cdr |  
| 81.1 kB | .jpg | 352.778 x 379.236 mm - 1000 x 1075 px - 72 dpi  
| 3.0 kB | .png | 73.731 x 79.375 mm - 209 x 225 px - 72 dpi

## Operating principle



ID: 235hz05  
| 15.2 kB | .cdr |  
| 180.5 kB | .jpg | 352.778 x 749.3 mm - 1000 x 2124 px - 72 dpi  
| 3.4 kB | .png | 74.083 x 157.339 mm - 210 x 446 px - 72 dpi

Schmersal, Inc., 15 Skyline Drive, Hawthorne, NY 10532

The details and data referred to have been carefully checked. Images may diverge from original. Further technical data can be found in the manual. Technical amendments and errors possible.

Generated on: 1/12/2023, 7:38 AM