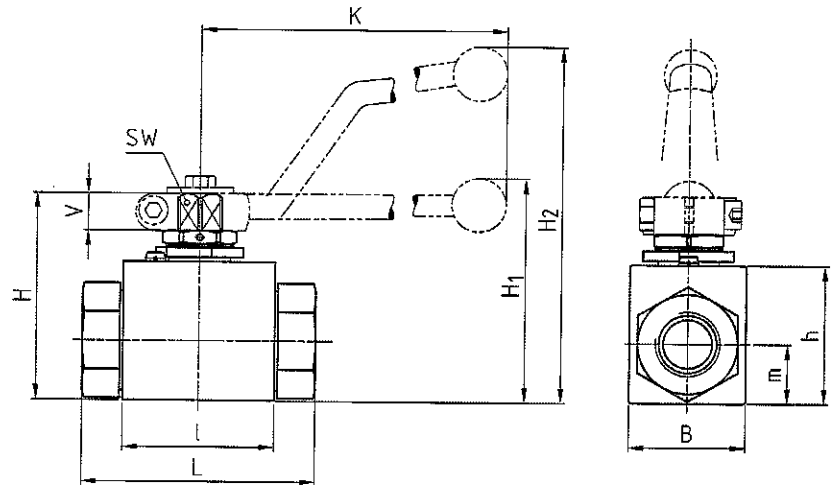
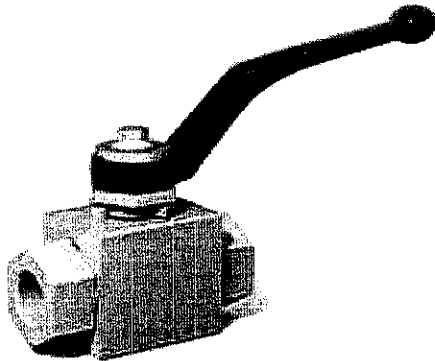


Ball valve for isocyanate Steel

BKH



This ball valve is equipped with a special stem sealing.
Due to this seal form a long service life can be guaranteed.

AVAILABLE SIZES

DN4 - DN25 (1/8" to 1")

CONNECTIONS

DIN ISO 228 Female thread, ANSI B1.20.1 NPT Female thread, DIN 2353/ISO 8434-1 Light / Heavy series, SAE J 514/ISO/DIS11926-1 Female thread, others on request

ACCESSORIES ON REQUEST

- Locking devices on request
- Actuators page 224 - 225
- Mounting holes 17
- Position switches on request
- Combinations on request
- Detent on request

MATERIAL CODE DESCRIPTION

Materials	12fo
Body	Steel
Ball	Stainless Steel
Stem	Steel
Ball seats	Cast iron
O-rings	FPM
Tmin / Tmax	-20°C / 100°C

GENERAL DIMENSIONS

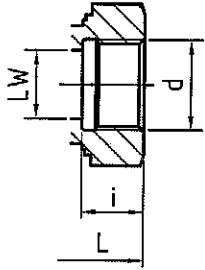
Type	L	B	H	h	m	V _{min}	SW	K	H ₁	H ₂	Lever
BKH-DN4	48	45	61	45	20,5	6,4	9	115	-	100	Zn
BKH-DN6	48	45	61	45	20,5	6,4	9	115	-	100	Zn
BKH-DN8	48	45	61	45	20,5	6,4	9	115	-	100	Zn
BKH-DN10	48	45	61	45	20,5	6,4	9	115	-	100	Zn
BKH-DN13	48	35	59	40	19	8	9	115	-	96	Zn
BKH-DN16	48	38	67	46	19	8,8	12	160	-	113	Al
BKH-DN20	62	49	85	57	24,5	15,5	14	200	86	-	Zn
BKH-DN25	66	58	93	65	29,5	15,5	14	200	94	-	Zn
BKH-DN25/32	66	58	93	65	29,5	15,5	14	200	94	-	Zn
BKH-DN25/40	66	58	93	65	29,5	15,5	14	200	94	-	Zn

Ball valve for isocyanate Steel

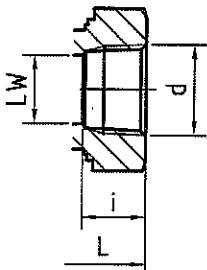
BKH



CONNECTION TYPE	DIMENSIONS						ORDER CODE PER MATERIAL COMBINATION	
	Type	LW	L	i	d	Weight [Kg]	PN [bar]	12f0
DIN ISO 228 FEMALE THREAD	BKH-DN4-G1/8	5	77	10	G1/8	0,41	500	39042
	BKH-DN6-G1/4	6	77	14	G1/4	0,40	500	39043
	BKH-DN10-G3/8	10	77	14	G3/8	0,55	500	39044
	BKH-DN13-G1/2	13	83	16,3	G1/2	0,65	500	19173
	BKH-DN16-G5/8	15	83	16,3	G5/8	0,70	420	39045
	BKH-DN20-G3/4	20	95	18	G3/4	1,50	420	12265
	BKH-DN25-G1	25	113	20	G1	2,20	315	12222
	BKH-DN25/32-G1 1/4	25	120	22	G1 1/4	2,30	315	12266
	BKH-DN25/40-G1 1/2	25	130	24	G1 1/2	2,60	315	39046

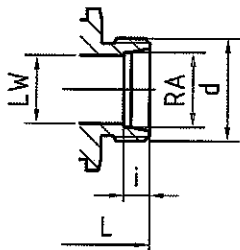


CONNECTION TYPE	DIMENSIONS						ORDER CODE PER MATERIAL COMBINATION	
	Type	LW	L	i	d	Weight [Kg]	PN [bar]	12f0
ANSI B1.20-1 NPT FEMALE THREAD	BKH-DN4-1/8"NPT	5	77	10,5	1/8"NPT	0,30	500	39047
	BKH-DN6-1/4"NPT	6	77	13,7	1/4"NPT	0,40	500	39048
	BKH-DN10-3/8"NPT	10	72	13,5	3/8"NPT	0,55	500	39049
	BKH-DN13-1/2"NPT	13	83	17	1/2"NPT	0,75	500	39050
	BKH-DN20-3/4"NPT	20	95	18,3	3/4"NPT	1,63	420	39051
	BKH-DN25-1"NPT	25	113	21,6	1"NPT	2,30	315	39052
	BKH-DN25/32-1 1/4"NPT	25	120	22,1	1 1/4"NPT	2,51	315	39053
	BKH-DN25/40-1 1/2"NPT	25	130	22,1	1 1/2"NPT	2,70	250	39054



Application-specific

CONNECTION TYPE	DIMENSIONS						ORDER CODE PER MATERIAL COMBINATION		
	Type	LW	RA	L	i	d	Weight [Kg]	PN [bar]	12f0
DIN 2353 / ISO 8434-1 LIGHT SERIES	BKH-DN4-6L	5	6	75	7	M 12x1,5	0,36	500	39025
	BKH-DN6-8L	6	8	75	7	M 14x1,5	0,37	500	39026
	BKH-DN8-10L	8	10	82	7	M 16x1,5	0,38	500	39027
	BKH-DN10-12L	10	12	79	7	M 18x1,5	0,50	500	39028
	BKH-DN13-15L	13	15	82	7	M 22x1,5	0,61	500	39029
	BKH-DN16-18L	15	18	82	7,5	M 26x1,5	0,70	420	39030
	BKH-DN20-22L	20	22	101	7,5	M 30x2	1,49	420	39031
	BKH-DN25-28L	25	28	108	7,5	M 36x2	2,00	315	39032
	BKH-DN25/32-35L	25	35	112	10,5	M 45x2	2,12	315	39033
	BKH-DN25/40-42L	25	42	112	11	M 52x2	2,27	315	39034



Please note the pressure ratings of the tube connections!