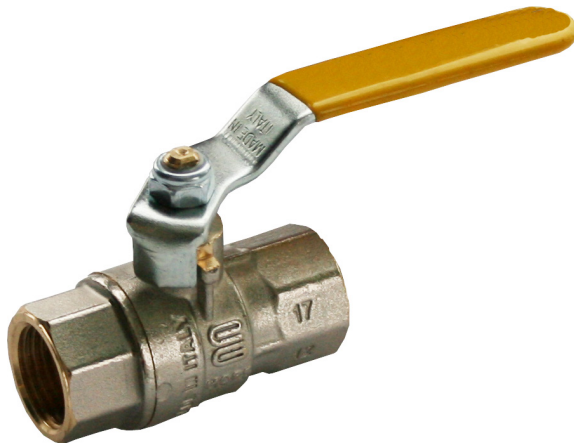


GASAPPROVED BALL VALVE WITH STEEL HANDLE

TYPE 1011

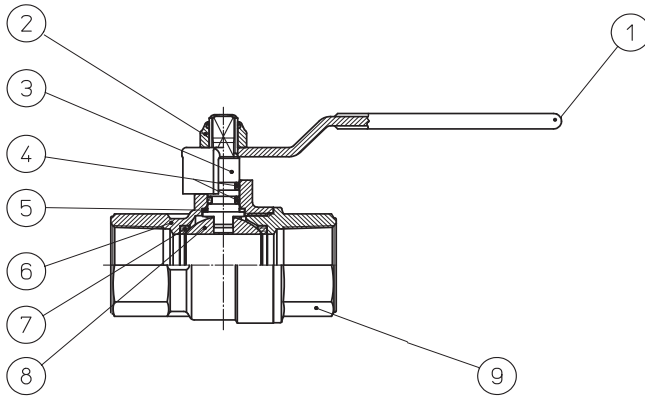


GENERAL

DIMENSION/PRESSURE:	1/4" = PN 80 3/8" = PN 80 1/2" = PN 50 1 1/2" = PN40
PRESSURE AT GAS:	PN 5 MOP 5 (EN 331)
TEMPERATURE GAS:	-20° C TO +60° C
TEMPERATURE OTHER:	-20° C TO +140° C
MATERIAL:	NICKEL PLATED BRASS MS58
THREAD:	BSPT - BS 21
HANDLE:	ZINC PLATED STEEL WITH PVC
APPROVALS:	UNI CIG 7129, EN13611: 2001 (Ex UNI 8274/5) AND FA144, UNI EN 331ST, CE, DVGW, GOST
MEDIA:	ALL TYPES OF: TOWN GAS, NATURAL GAS, L.P.G. GAS

OPTIONS

CONNECTION:	MALE/FEMALE
HANDLE:	T-HANDLE

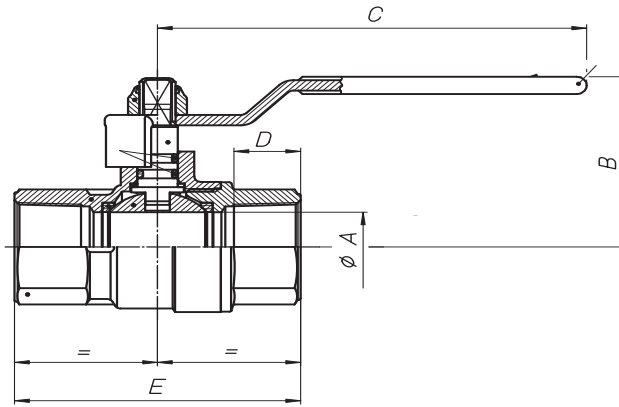


POS	DESCRIPTION	MATERIAL
1	HANDLE	ZINC PLATED STEEL + PVC SLEEVE
2	NUT	ZINC PLATED 8G STEEL
3	STEM	BRASS EN12164
4	O-RING	FPM
5	O-RING	NBR
6	THREAD ENDS	NICKELPLATED BRASS MS58
7	BALL SEATS	PTFE
8	BALL	HARD CROMED BRASS MS58
9	BODY	NICKELPLATED BRASS MS58

DESCRIPTION

- **Type 1011 gas approved ball valves are certified in** accordance with UNI CIG 7129, EN13611: 2001 (ex UNI 8274/5) and FA144, UNI EN 331st.
- **All gas approved ball valves are 100% tested.**
- **Suitable** for gas, hot/cold water, compressed air, oil and hydrocarbons in general.
- **Ball modified with drain hole** to avoid stagnation inside and prevent legionella bacteria.
- **CE, PED and DVGW approved.**
- **Manufactured according to ISO9001.**

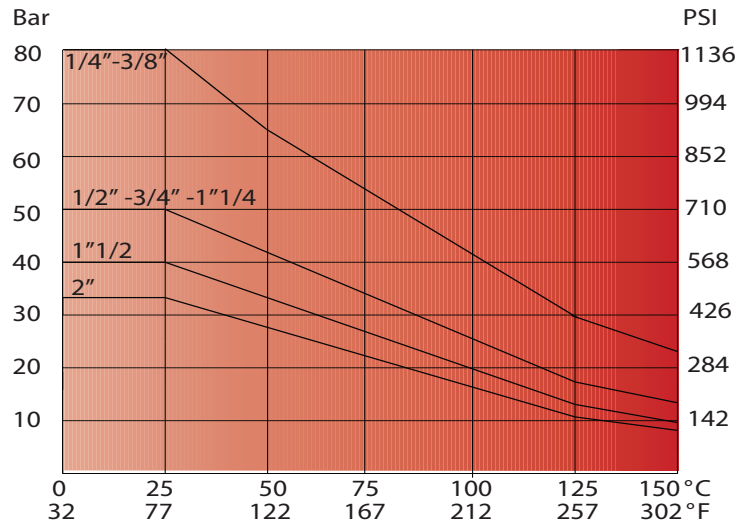
DIMENSION



DIMENSION		VALVE WITH HANDLE					WEIGHT [KG]
[MM]	[INCH]	A [MM]	B [MM]	C [MM]	D [MM]	E [MM]	
DN08*	1/4"	10.0	37.0	90.0	11.0	47.5	0.14
DN10*	3/8"	10.0	37.0	90.0	11.4	49.5	0.15
DN15*	1/2"	15.0	41.0	90.0	15.0	59.5	0,27
DN20	3/4"	20.0	49.5	105.0	16.3	70.0	0,41
DN25	1"	25.0	53.5	105.0	19.1	83.0	0,57
DN32	1 1/4"	32.0	66.0	140.0	21.4	98.5	0,90
DN40*	1 1/2"	40.0	72.0	140.0	21.4	108.0	1,28
DN50	2"	50.0	86.0	170.0	25.7	130.0	1,92

* Stocked item.

PRESSURE/TEMPERATURE



HEAD LOSS DIAGRAM (TESTED WITH AIR)

