

Verderair

VA80 (HE) non-metallic



VERDERAIR®

Description

The VA80 (HE) non-metallic double diaphragm pumps are excellent pumps for use in a wide range of applications across many industries. Those pumps are using the modern technology to make them the most efficient on the market! The air section is from Polypropylene, which makes the pump suitable to be installed in the most severe environments. The VA80 (HE) non-metallic is available in polypropylene for the pump body and 8 different materials are available for the diaphragms. This makes it possible to select the best solution for your application.

Your benefits

- Energy efficient
- Less downtime
- Easy to install, operate and maintain
- Ant-ice muffler
- Free of air lubrication
- Non-stalling air valve
- Can run-dry without damage
- Dry self-priming

Technical data

Weight [kg]	Fluid & air section	PP	91			
Max. suction lift [mwc]		Dry	2,4			
		Wet	8,5			
Temperature [°C]	Fluid section	Internals	P	All except TF	0	66
				TF	4	66
			Max. Particle size [mm]			13
Max. recommended viscosity (mPas)			25000			

Code VA80 No.1 No.2 No.3 No.4. No.5 No.6 No.7

No.1 Fluid section

P = Polypropylene

No.2 Air section

P = Polypropylene

No.3 Check valve seats

AL = Aluminium

BN = Buna-N

GE = Geolast

HY = Hytrel (TPE)

SP = Santoprene

SS = Stainless Steel

VT = Viton (FKM)

No. 4 Check valve balls

AC = Acetal

BN = Buna-N

GE = Geolast

HY = Hytrel (TPE)

SP = Santoprene

VT = Viton (FKM)

TF = PTFE

NE = Neoprene

NW = Neoprene Weighted

No.5 Diaphragms

BN = Buna-N

GE = Geolast

HY = Hytrel (TPE)

NE = Neoprene

NO = Neoprene overmolded

SP = Santoprene

TF = PTFE/EPDM 2 piece

VT = Viton (FKM)

No. 6 Connections

FC = Center Flange DIN/ANSI

No. 7 Options

OO = Standard

SS = Stroke sensor

EXAMPLE PUMP TYPE

VA80PP PP TF TF FE OO

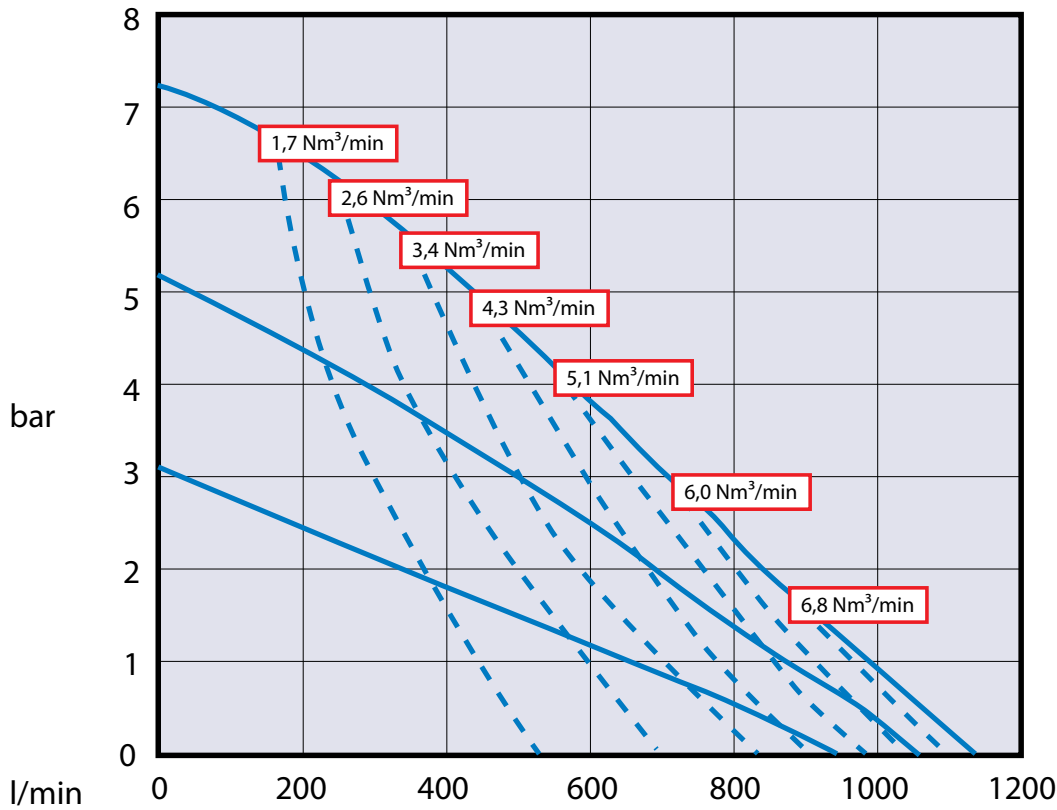
NOTE not all combinations are available

Verderair

VA80 (HE) non-metallic



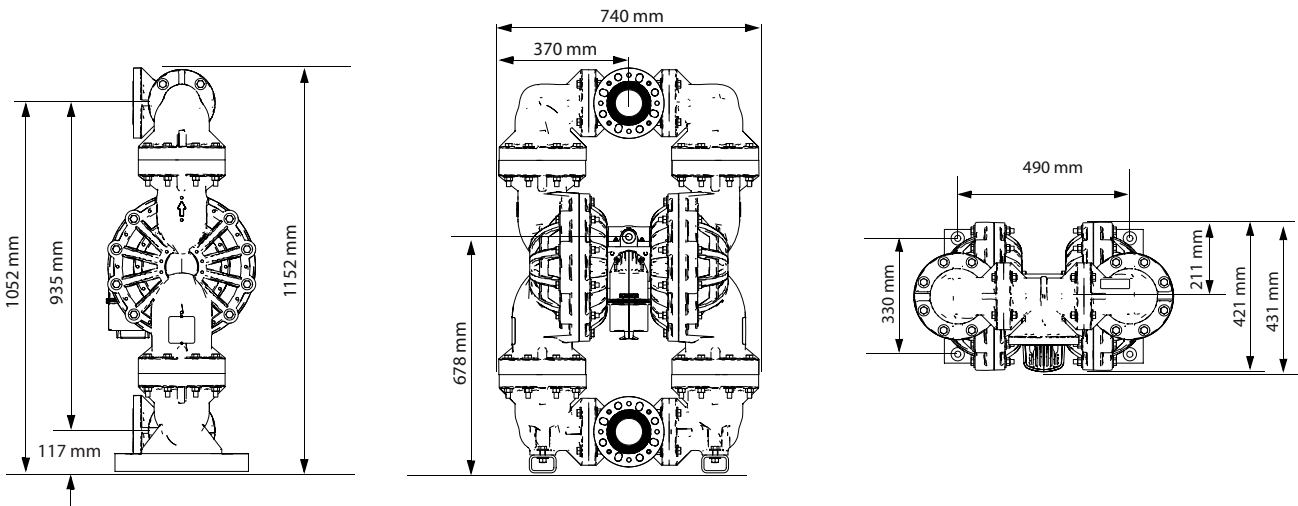
VERDERAIR®



Air consumption

Measured with water of 20°C

VA 80 non metallic



All dimensions are in mm.
All dimensions are for guidance only.

Find your local supplier
at www.verderair.com

For construction, installation and floor mounting drawings
please contact your local authorised Verderair® distributor.

VERDER
passion for pumps

