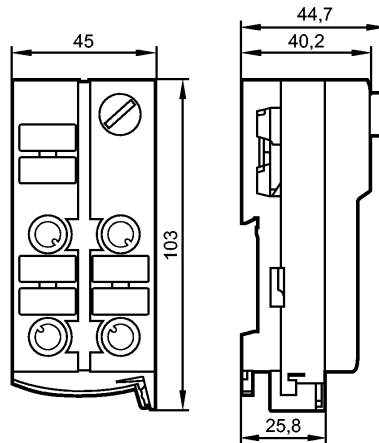


## AC5205

ClassicLine 4DI IP67

AS-Interface bus system



### Product characteristics

Active ClassicLine module

AS-i flat cable connection

Sockets M12 x 1

Addressing socket

Three orientations of the flat cable are possible

Digital inputs

### Electrical data

Electrical design	4 inputs
Operating voltage [V]	26.5...31.6 DC; cULus - Class 2 source required
Total current consumption from AS-i [mA]	< 250

### Inputs

digital	
Circuit	DC PNP
Sensor supply	AS-i
Voltage range [V]	18...30 DC *)
Max. current load for all inputs total [mA]	200
Input current High/Low [mA]	6...10 / 0...2
Switching level High signal 1 [V]	>11
Short-circuit proof	yes

### Environment

Ambient temperature [°C]	-25...70
Protection	IP 67

### Tests / approvals

EMC	EN 50295 IEC 61000-6-2
MTTF [Years]	404

### AS-i classification

AS-i version	2.11 + 3.0
Extended addressing mode possible	no
AS-i profile	S-0.0.E



## AC5205

ClassicLine 4DI IP67

AS-Interface bus system

I/O configuration [hex]	0				
ID code [Hex]	0.E				
AS-i certificate	in preparation				
Data bits	<b>Data bit</b>	<b>D0</b>	<b>D1</b>	<b>D2</b>	<b>D3</b>
	Input	1	2	3	4
	Socket	I-1	I-2	I-3	I-4
	Pin	2+4	2+4	2+4	2+4

### Mechanical data

Housing materials	PA; Piercing contacts: CuSn6 surface nickel and tin-plated
Weight [kg]	0.183

### Displays / operating elements

Power	LED	green
Error	LED	red
Function display	LED	yellow

### Electrical connection

<b>Wiring</b>	
	<p>Inputs</p> <p>1: Sensor supply L+</p> <p>2+4: Data input (internally bridged)</p> <p>3: Sensor supply L-</p> <p>5: not used</p>

### Accessories

Accessories (included)	lower part
Accessories (optional)	Addressing cable E70213; M12 protective cap (E73004)

### Remarks

Remarks	<p>Verwenden Sie ausschließlich das Adressierkabel E70213. Bei Verwendung von Adressierkabeln anderer Hersteller sind Kurzschlüsse oder irreparable Verformungen der Adressierbuchse nicht auszuschließen.</p> <p>Do not connect any of the points I-, I+, I1, I2, I3, I4 to an external potential since they are electrically connected to the AS-i cable.</p> <p>*) via flat cable</p>
---------	--

Pack quantity [piece]	1
-----------------------	---