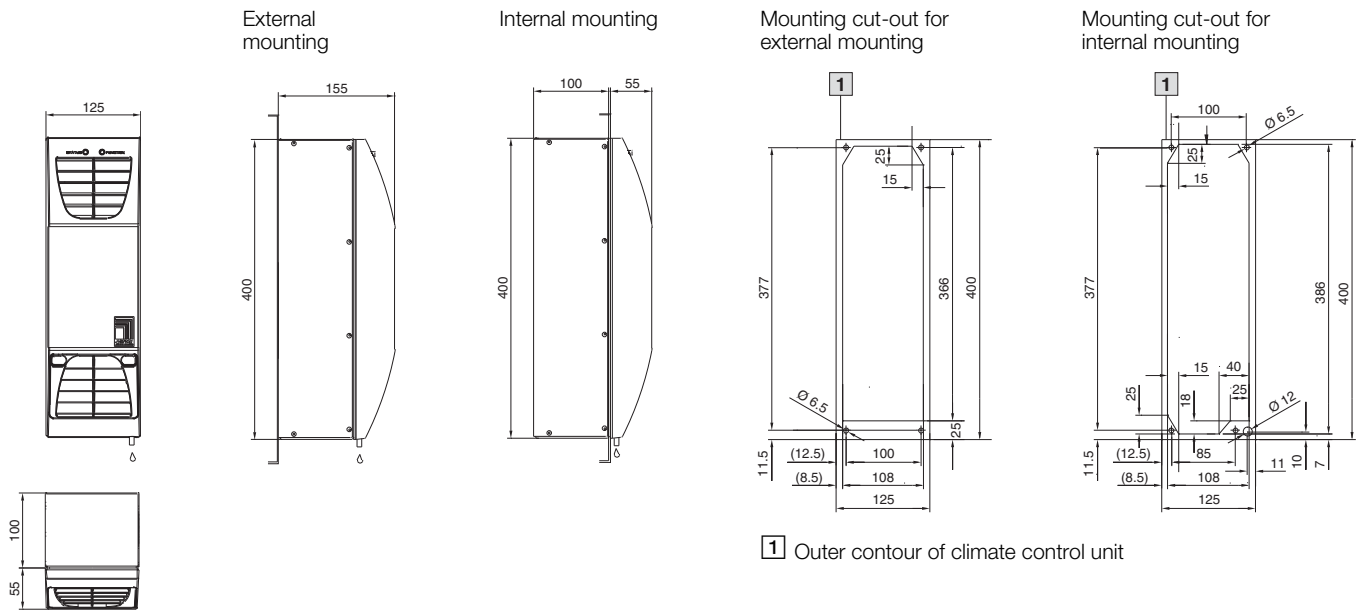


Climate control

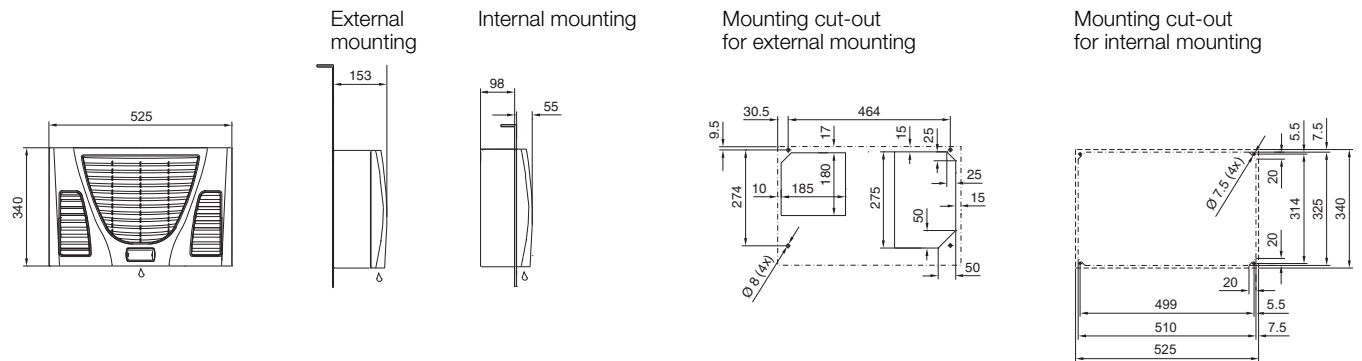
Cooling units

Thermoelectric coolers

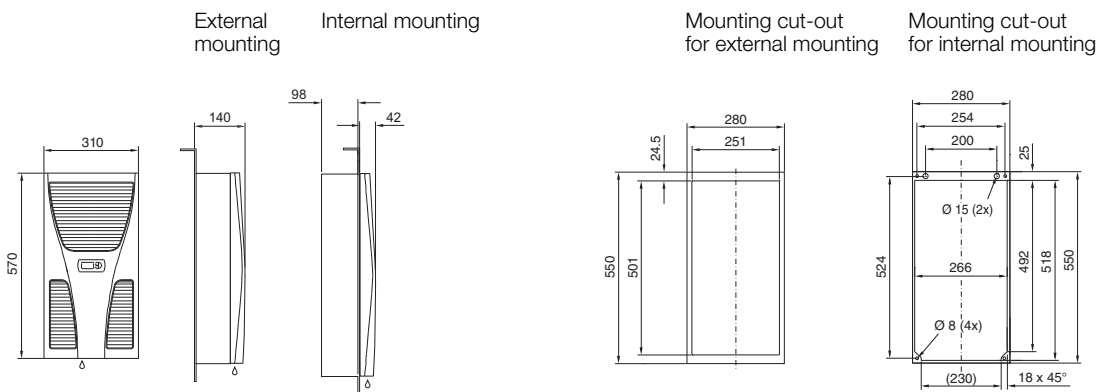


Wall-mounted cooling units

TopTherm, horizontal format

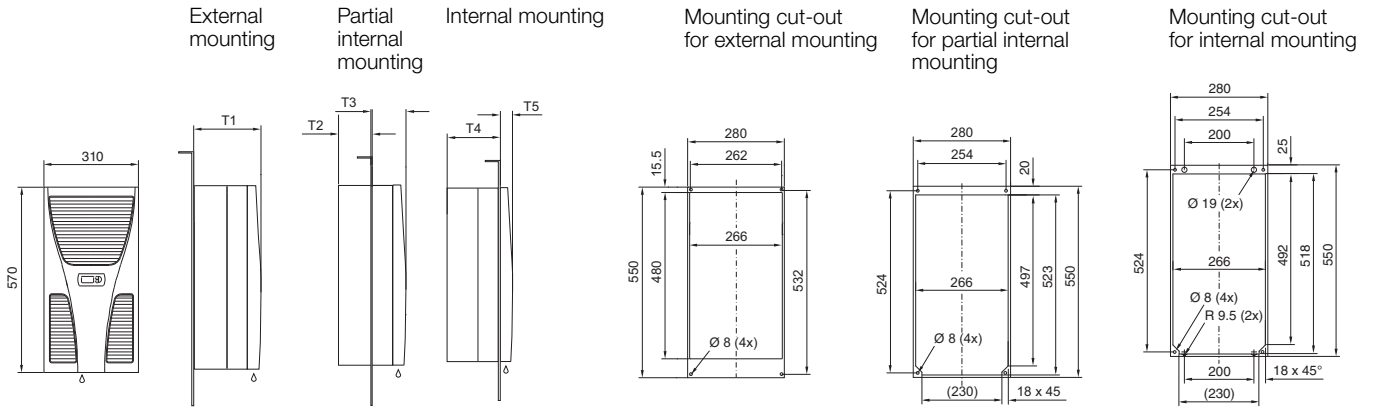


TopTherm, SK 3302.XXX



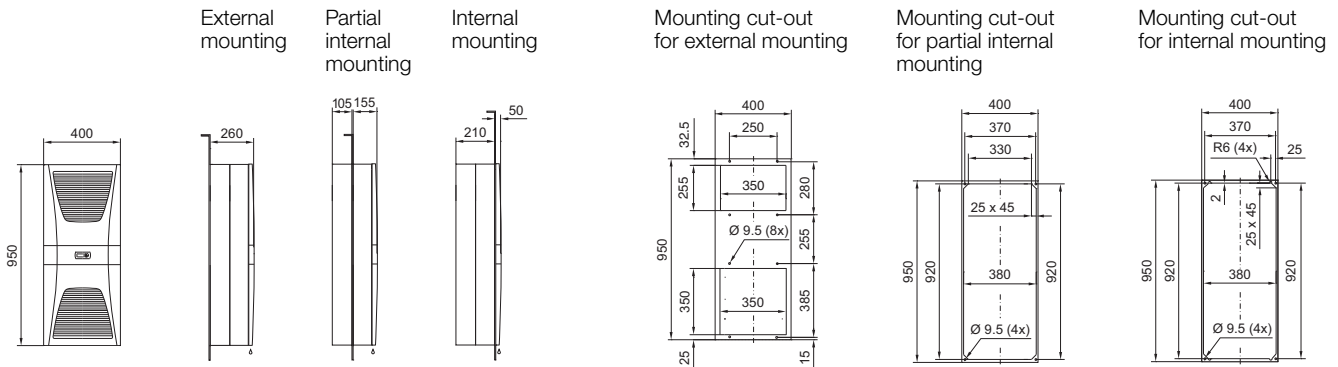
Wall-mounted cooling units

TopTherm Blue e, SK 3303.XXX, SK 3361.XXX

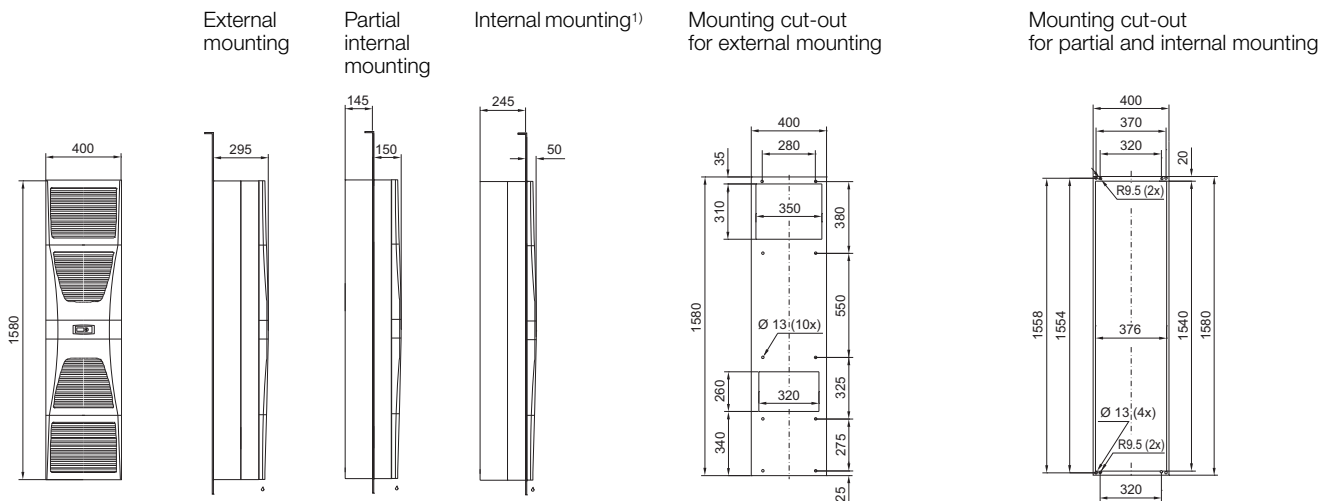


	T1	T2	T3	T4	T5
500 W	210	100	110	164	42
750 W	280	125	155	235	45

TopTherm Blue e, SK 3304.XXX, SK 3305.XXX



TopTherm Blue e, SK 3328.XXX, SK 3329.XXX



¹⁾ For installation in 600 mm wide doors, move the mounting cut-out from the centre of the door towards the hinged side by at least 10 mm

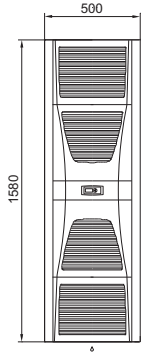
Climate control

Cooling units

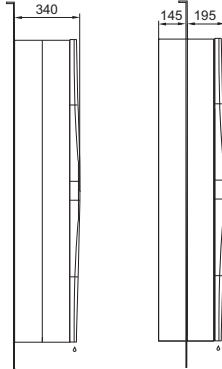
Wall-mounted cooling units

TopTherm Blue e, SK 3332.XXX

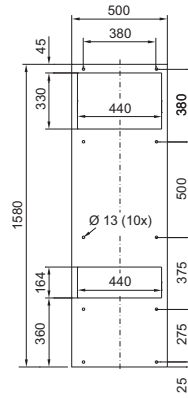
External mounting



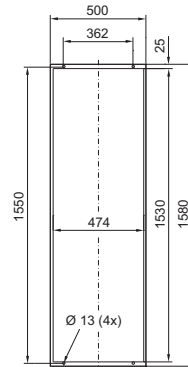
Partial internal mounting



Mounting cut-out for external mounting

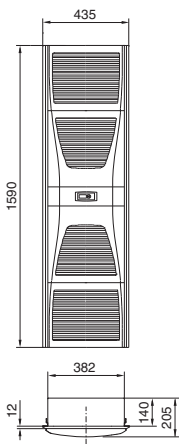


Mounting cut-out for partial internal mounting

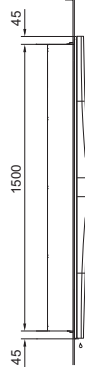


TopTherm Blue e, slimline, SK 3366.XXX

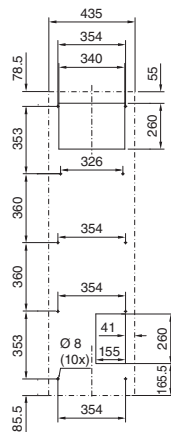
External mounting



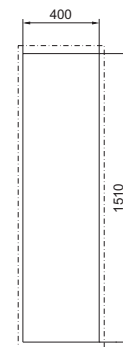
Internal mounting



Mounting cut-out for external mounting

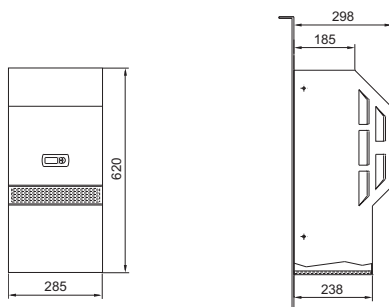


Mounting cut-out for internal mounting

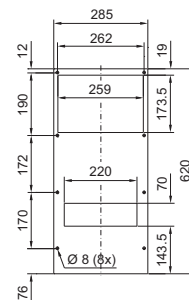


TopTherm Blue e, design NEMA 4X, SK 3303.XXX

External mounting



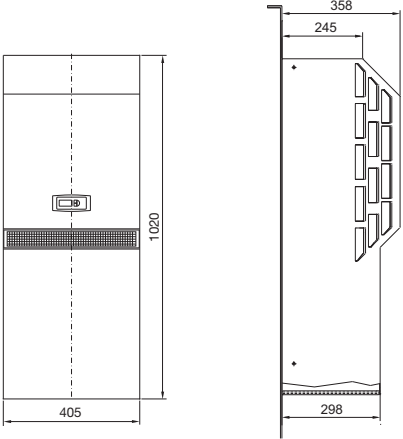
Mounting cut-out for external mounting



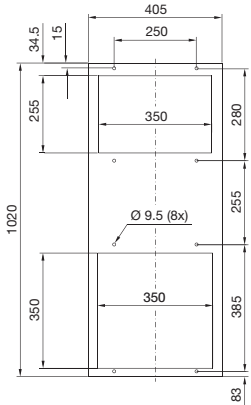
Wall-mounted cooling units

TopTherm Blue e, design NEMA 4X, SK 3304.XXX, SK 3305.XXX

External mounting

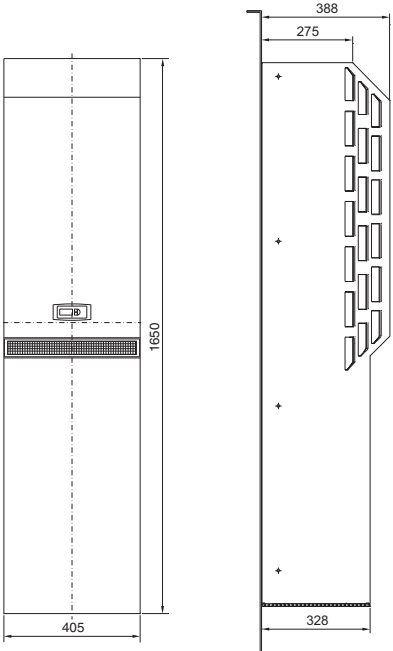


Mounting cut-out for external mounting



TopTherm Blue e, design NEMA 4X, SK 3328.XXX, SK 3329.XXX

External mounting



Mounting cut-out for external mounting

