

Datasheet Switch-Mode-Power-Supply PD12 with LSP connector Article-No.: 65444



A Phoenix Mecano Brand

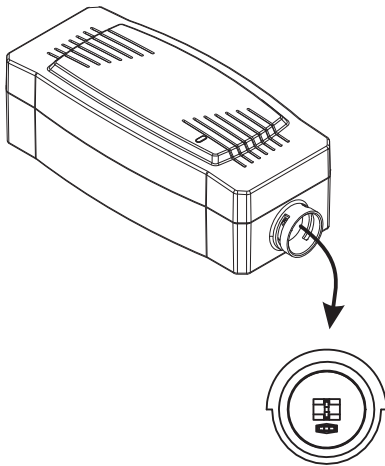
Purpose:

- The SMPS is used to supply OKIN actuators and controls.

Main Features:

- World wide application
- Optional as wall plug version
- Low standby power consumption (<0.5W)
- Power LED

Design:

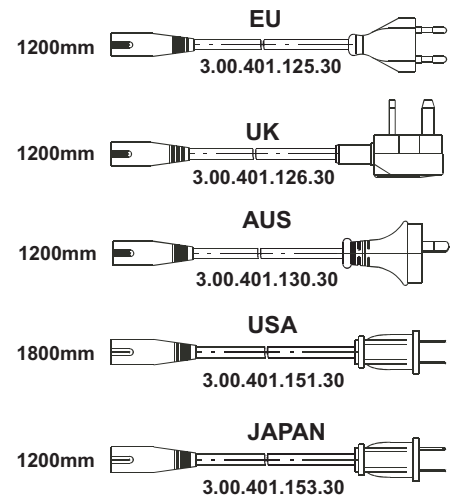


OKIN LSP-connector (65444)

Dimensions:

143.5x 59.9x 46.2(l x w x h)

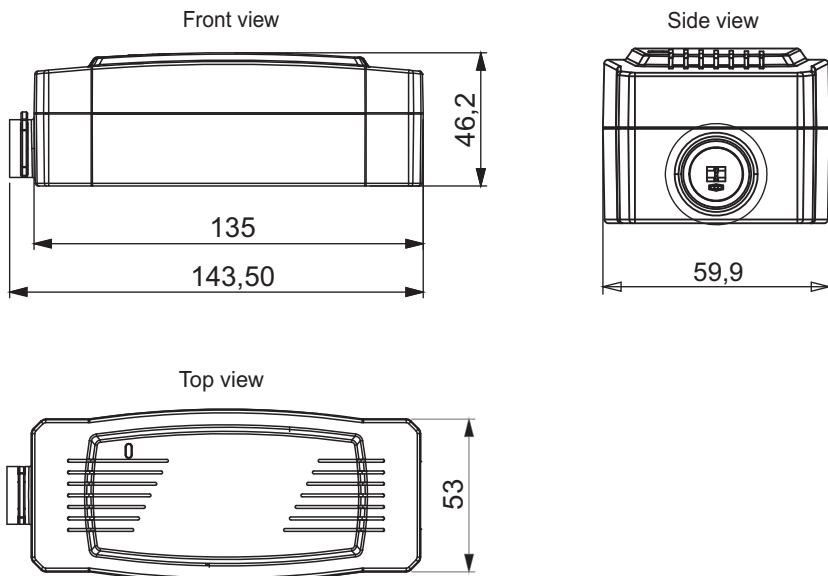
Mains supply cable
Cables for different national
standards available →



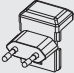
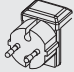
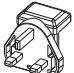


Technical Data:

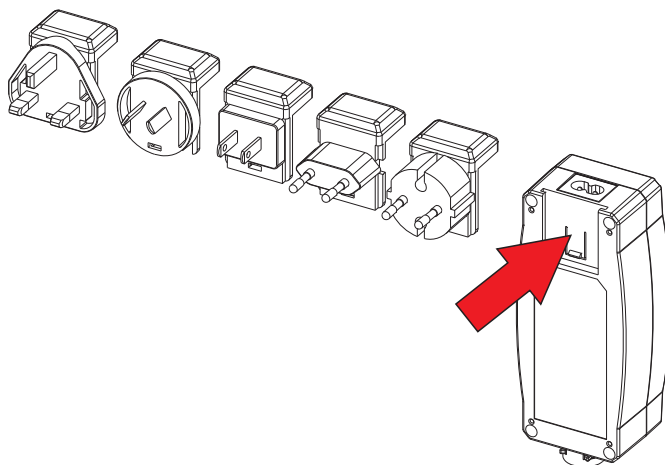
Input Voltage AC	100...240 VAC(+/- 10%)		Output data @	
Output Voltage DC	nominal 29V		100-120V USA/CA	1.5A
Standby power consumption	≤ 0.5W		100-240V non USA/CA	52W
Ambient Temperature:	0°C- 40°C		Max. peak load:	4A
Storage Temperature:	0°C – 70°C		Input connector:	LSP
Relative Humidity:	20% - 95%		Complies to EcoDesign directive and Energy Star /CEC	
Protection degree	IP20		Safety features:	
Protection class	II		- NTC temperature sensor, - thermal fuse, - current sensing and limitation by control circuit, self resetting - current limiting fuse on primary side as double safety, not self resetting - SELV (Safety Extra Low Voltage)	
Power LED	green: ready for use off: no mains supply			
Certificates/Approvals				
CE, UL, CB, IEC/DIN 60335, TÜV, C-TICK, PSE, CCC, GOST				

PD12 Dimension drawing



Optional as wall plug version for EU, UK, USA/JP, AUS

Order-Numbers:	
EU	65369 
EU Kontur	65378 
UK	65372 
USA/JP	65375 
AUS	65376 



Voltage and current characteristics

