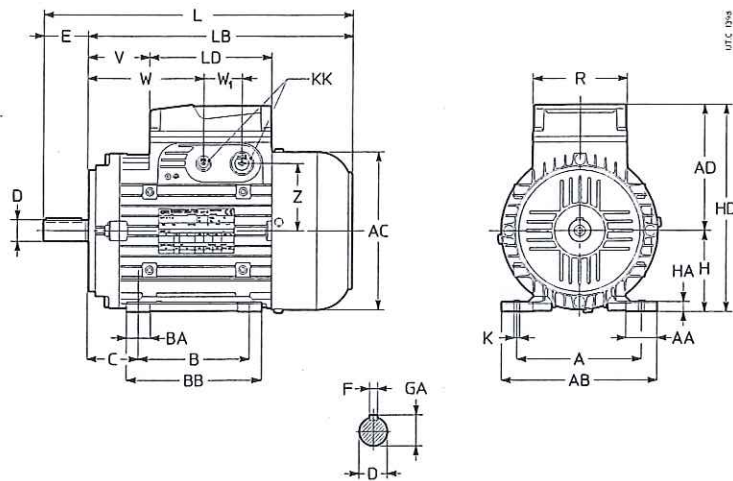


Forma costruttiva - Mounting position IM B3

63 ... 160S



Grand. motore Motor size	AC	AD	L	LB	LD	KK	R	V	W	W ₁	Z	Estremità d'albero - Shaft end				Piedi - Feet												
												D	E	F	GA	A	AB	B	C	BB	BA	AA	K	HA	H ⁴⁾	HD		
	∅					2)						∅	1)	h9														
63	B3	123	95	228	205	103	4xM16	86	29	69	36	45	11 j6 M4	23	4	12,5	100	120	80	40	100	21	27	7	9	63	158	
71	B3	138	112	254	224		2xM16 + 2xM20		47	87		62	14 j6 M5	30	5	16	112	138	90	45	110	22	28		10	71	183	
80	B3	156	121	282	242				59	99		71	19 j6 M6	40	6	21,5	125	152	100	50	125	26		9		80	201	
90 S ⁵⁾	B3	176	141	316	266	136	2xM16 + 2xM25	106	39		43	75	24 j6 M8	50	8	27	140	174		56			35	11	90	230		
90 L	B3			346	296				69	129									125		150						251	
100	B3	194	151	380	320				82	142		86	28 j6 M10	60	8	31	160	196	140	63	185	40	37	12	12	100	275	
112	B3	218	163	403	343				100	160		98					190	226		70			50	15	112	264		
132 S ⁶⁾	B3	257	194	479	399	190	2xM16 + 2xM32	148	78	166	55	109	38 k6 M12	80	10	41	216	257	140 ³⁾	89	210	42	52	14	17	132	326	
132 M ⁶⁾	B3																		178 ³⁾									
132 MA ⁷⁾ ... MC B3				539	459				138	226									178									
160 S	B3			588	478				157	245			42 k6 M16	110	12	45	254	294	210	108	246	45			20	160	354	

1) Foro filettato in testa.
 2) Predisposizione per accesso cavi su entrambi i lati (2 fratture prestabilite per ogni lato, pressacavo non fornito).
 3) Il piede del 132S riporta anche un interasse di 178 mm e quello del 132M riporta anche un interasse di 140mm.
 4) Tolleranza $\pm 0,5$ mm.
 5) Per motore HB3V 90S 2 e HB3V 90 S4 quote come grand. motore 90L.
 6) Per motore HB3V 132SB 2, HB3V 132 SC2 e HB3V 132S 4 quote come grand. motore 132 MA ... MC.
 7) Per motore HBV 132MA 2 quote come grand. motore 132S.

1) Tapped butt-end hole.
 2) Prearranged cable entry knockout openings on both sides (two openings on each side, cable gland and plugs not supplied).
 3) Foot of 132S also has a centre distance of 178 mm and the one of size 132M has also a centre distance of 140mm.
 4) Tolerance $\pm 0,5$ mm.
 5) For motors HB3V 90S 2 and HB3V 90 S4 dimensions are the ones as sizes 90L.
 6) For motors HB3V 132SB 2, HB3V 132 SC2 and HB3V 132S 4 dimensions are the ones as sizes 132 MA ... MC.
 7) For motor HBV132 MA 2 dimensions are the same ones of size 132S.