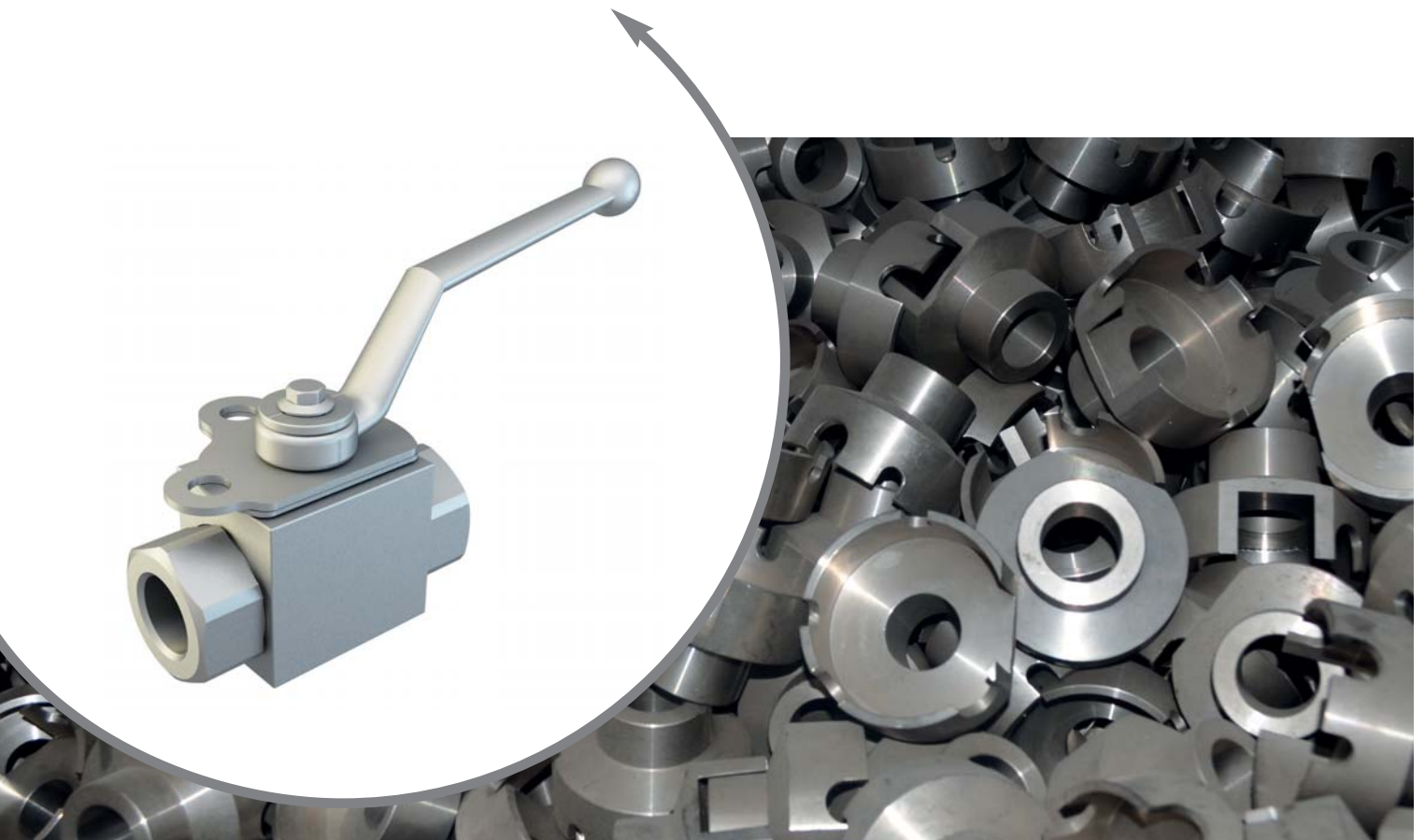


# + Locking device



**LKB** FOR GM - GN

**LKF** FOR GE - GB - GHP - GPK

**LKR** FOR GR

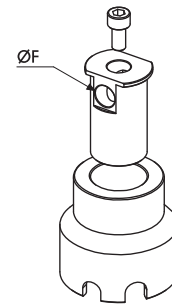
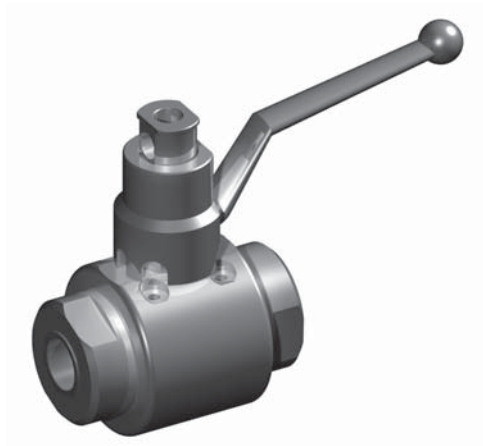
**SECURITY BLOCK** FOR GE - GB - GHP - GPK (except DN6) - G3/4K

Locking



# + Locking device

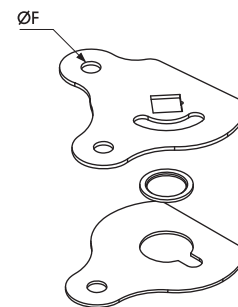
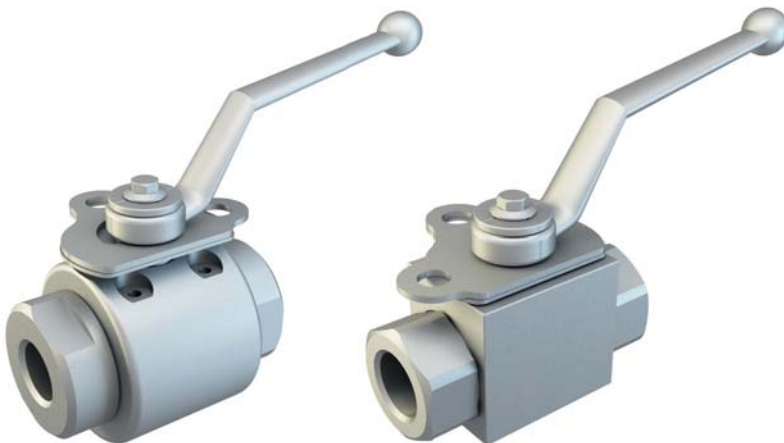
Specialist in Ball Valves



Padlock not included

## LKB FOR GM - GN

TYPE	DN	SW	ØF	MATERIAL	TREATMENT	WEIGHT Kg	KIT CODE
LK6-B	6-10-13	9	9,5	CARBON STEEL	GALVANIZED	0,178	KMK00LK6B2Z
LK6-B	6-10-13	9	9,5	STAINLES STEEL	-	0,178	KMK00LK6B6H
LK20-B	20-25	14	10,5	CARBON STEEL	GALVANIZED	0,413	KMK00LK20B2Z
LK20-B	20-25	14	10,5	STAINLES STEEL	-	0,413	KMK00LK20B6H
LK32-B	32-40-50	17	10,5	CARBON STEEL	GALVANIZED	0,53	KMK00LK32B2Z
LK32-B	32-40-50	17	10,5	STAINLES STEEL	-	0,53	KMK00LK32B6H



Padlock not included

## LKF FOR GE - GB - GHP - GPK

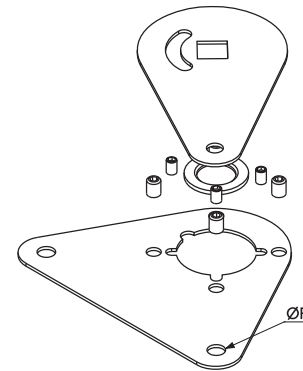
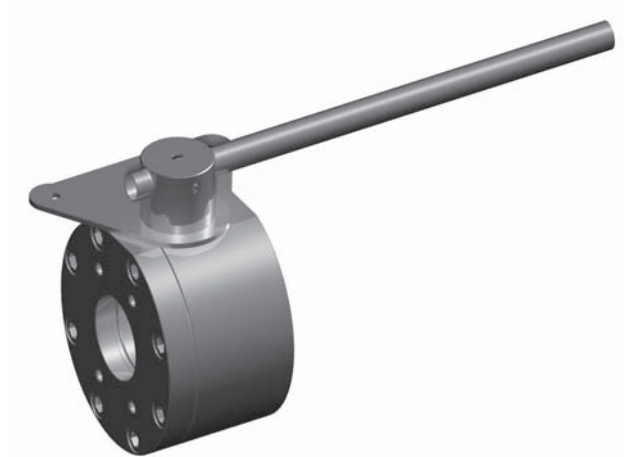
TYPE	DN	SW	ØF	MATERIAL	TREATMENT	WEIGHT Kg	KIT CODE
LK6-MF	6 only for GPK	6	6,8	CARBON STEEL	GALVANIZED	0,043	KOK00LK6MF2Z
LK6-F	6-10-13	9	9,5	CARBON STEEL	GALVANIZED	0,043	KOK00LK6F2Z
LK6-F	6-10-13	9	9,5	STAINLES STEEL	-	0,043	KOK00LK6F6H
LK20-F	20-25	14	9,5	CARBON STEEL	GALVANIZED	0,121	KOK00LK20F2Z
LK20-F	20-25	14	9,5	STAINLES STEEL	-	0,121	KOK00LK20F6H
LK32-F	32-40-50	17	9,5	CARBON STEEL	GALVANIZED	0,187	KOK00LK32F2Z
LK32-F	32-40-50	17	9,5	STAINLES STEEL	-	0,187	KOK00LK32F6H

"The company reserves the right to operate dimensional changes without prior notice".

# + Locking device

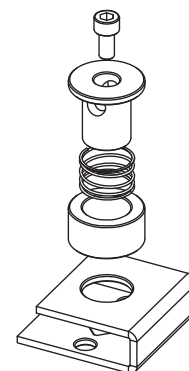
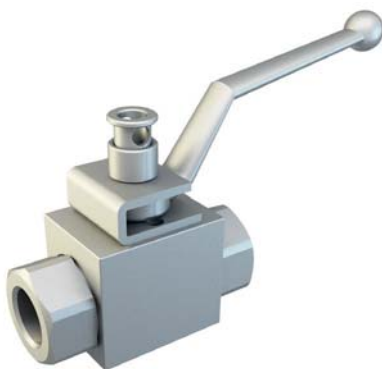
www.gemels.it

2017 - Edition 2



## LKR FOR GR

TYPE	DN	SW	ØF	MATERIAL	TREATMENT	WEIGHT Kg	KIT CODE
LKR13	13	9	9,5	CARBON STEEL	GALVANIZED	0,1	KOK00LKR132Z
LKR13	13	9	9,5	STAINLESS STEEL	-	0,1	KOK00LKR136H
LKR20	20-25	14	9,5	CARBON STEEL	GALVANIZED	0,18	KOK00LKR202Z
LKR20	20-25	14	9,5	STAINLESS STEEL	-	0,18	KOK00LKR206H
LKR32	32-40-50	17	9,5	CARBON STEEL	GALVANIZED	0,34	KOK00LKR322Z
LKR32	32-40-50	17	9,5	STAINLESS STEEL	-	0,34	KOK00LKR326H
LKR65	65-80	19	9,5	CARBON STEEL	GALVANIZED	0,55	KOK00LKR652Z
LKR65	65-80	19	9,5	STAINLESS STEEL	-	0,55	KOK00LKR656H
LKR100	100	24	9,5	CARBON STEEL	GALVANIZED	1,08	KOK00LKR1002Z
LKR100	100	24	9,5	STAINLESS STEEL	-	1,08	KOK00LKR1006H



## SECURITY BLOCK FOR GE - GB - GHP - GPK (except DN6) - G3/4K

TYPE	DN	SW	ØF	MATERIAL	TREATMENT	WEIGHT Kg	KIT CODE
SB6	6-10-13	9	6,25	CARBON STEEL	GALVANIZED	0,066	KOB00SB61Z
	6 only for G3/4K						
SB20	20-25	14	8,1	CARBON STEEL	GALVANIZED	0,221	KOB00SB201Z
	10-13-20 only for G3/4K						
SB32	32-40-50	17	8,1	CARBON STEEL	GALVANIZED	0,24	KOB00SB321Z
	25 only for G3/4K						



