

LT 110L TS58 J

Remote Sensors

Standard, Remote Photoelectric Systems

Compatible Receivers:

LR 110L TS58 J



Product Data	
Function:	Transmitter
Housing Material:	Stainless Steel
Housing:	M12 x 1
Connection:	4 pin, M12 plug
Sensing Range:	Up to 40 m
Optical Angle:	+/- 5° (emission)
Indicators:	Yes

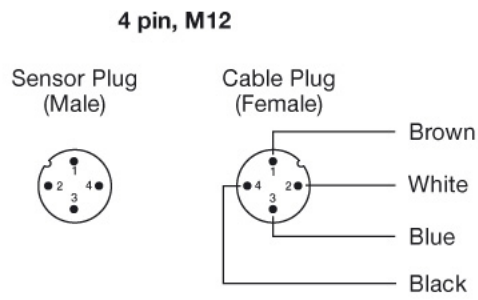
Technical Data	
Photo Transistor:	Silicon NPN
Power On Indicator:	Green LED
Output Indicator:	-
Light Source:	-
Cable:	-
Housing Material Sensor Housing:	Stainless Steel (AISI 316)
Housing Material Lens Cover:	Polycarbonate
Transmitter Diode:	-
Cable Sleeve:	-
Min. Cable Bending Radius:	-

Environmental Data	
Vibration:	10 – 55 Hz, 0,5 mm
Shock:	30 g
Operation Temperature:	- 25 to +65 °C
Storage Temperature:	- 40 to +80 °C
Sealing Class:	IP 67
Light Immunity 20':	> 100 000 lux

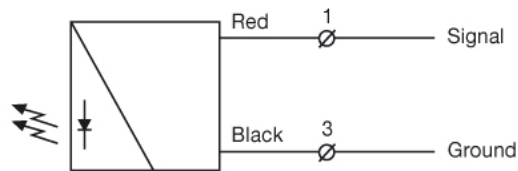
Approvals



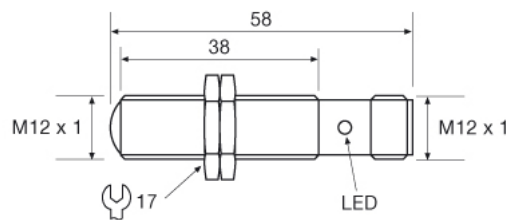
Connections



Wiring Diagram

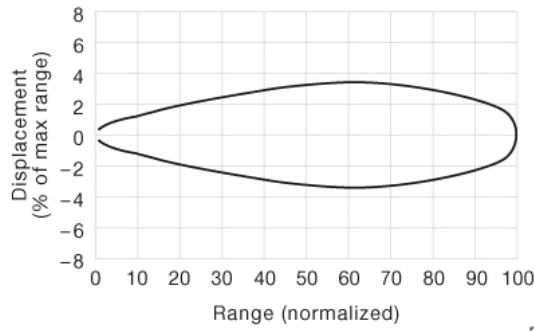


Dimensions

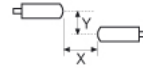


Sensing Characteristics

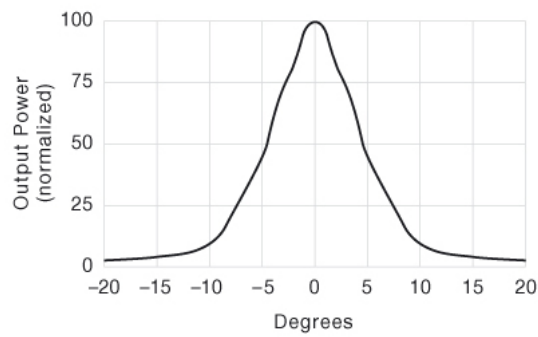
Parallel Displacement



Series 110



Angular Displacement



LT 110