



LASER LEVEL

CHARACTERISTICS

- OPTICAL DISTANCE SENSOR LASER TECHNOLOGY;
- CONNECTOR M12;
- VISIBLE LASER LIGHT;
- CLASS PROTECTION 2;
- SETTING LOCKRING;
- ONE CONFIGURABLE OUTPUT SIGNAL
- 0,3...2 M
- BACKGROUND SUPPRESSION >10...20 M;
- MEASUREMENT FREQUENCY OF 33 HZ

LASER LEVEL

The *Laser level* is an optical distance sensor ideal for measuring the quantity of lubricant present in pump reservoirs.

This sensor can have a digital output that can be set to the required set point for minimum, maximum or other level settings.

The level was designed primarily for use on the SUMO and Mini-SUMO Pump system using the Dropsa standardized fixing flange.

The sensor is set by rotating the setting-ring to the desired distance. The lock ring avoids accidental changing of the setting.

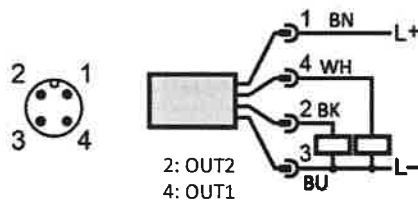


COMMENTS	
Operating voltage "supply class 2" according cULus.	Caution: Laser light
Power <= 4,1 mW Wavelength 650 nm	Pulse 1,3 ns
Avoid contact with laser light	Do not stare into Beam
EN 60825-1:2007-10	Laser class 2

ELECTRICAL WIRING

OUTPUTS:

During normal connection the switch provides NO and NC outputs at the set point. If connecting to an IO-Link interface the laser-sensor can operate in continuous mode giving actual grease level output.

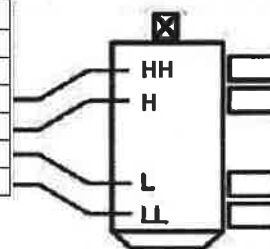


ATTENTION:
 - Do not stare into beam
 - Avoid exposure
 - Unplug connector to extinguish laser beam

SUPPLY CLASS 2 - 10 - 30 V DC

4: OUT1= normally open (grease level > Level set point) IO-Link
 2: OUT2= normally closed (grease level > Level set point)

RESERVOIR MODEL			
10 Kg	30 Kg	50 Kg	100 Kg
SETUP POINT cm			
15	15	15	15
18	18	18	18
23	42	43	78
26	45	46	81



APPLICATIONS

- LEVEL SENSOR FOR SUMO AND MINI-SUMO LUBRICATION PUMP;
- LEVEL SENSOR IN GREASE PUMP RESERVOIR.

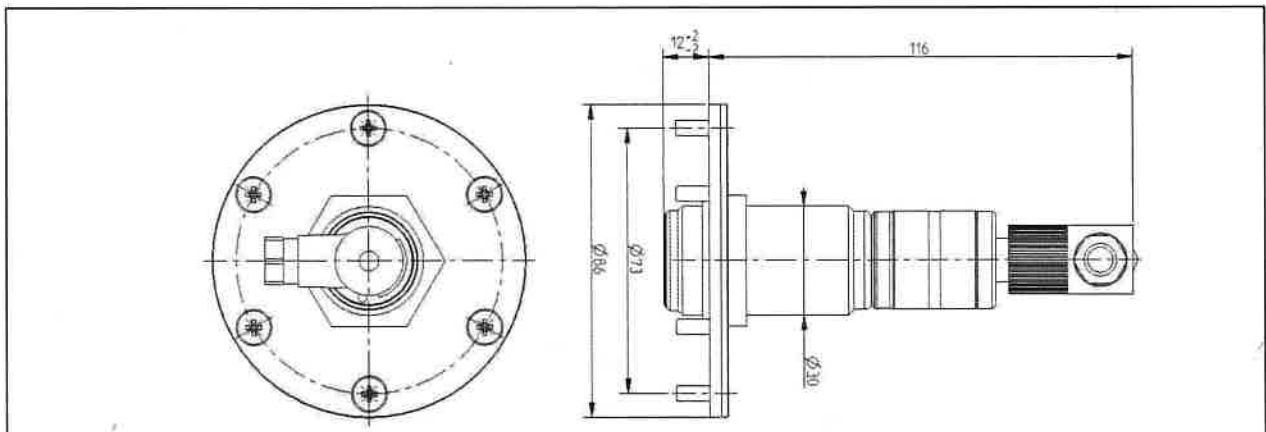


LASER LEVEL

TECHNICAL CHARACTERISTICS

TECHNICAL SPECIFICATIONS	
Electrical design	DC PNP
Output function	2 switching outputs normally open / closed complementary
Light spot diameter [mm]	< 5 (Flowrate 2 m)
Measuring frequency [Hz]	33
Operating voltage [V]	10...30 DC
Power absorbtion [mA]	75: (24 V)
Current capacity [mA]	2 x 200
Protection against short circuits	Pulse
Protection against reverse polarity	Yes
Overload resistance	Yes
Norm. duration [h]	50000
LED Indicator	Switching status Yellow LED Operation Green LED
Ambient temperature [°C]	-25...60
Grade/protection class	IP 67/IP 65
Housing materials	INOX, PMMA
CEM	EN 60947-5-2
Connection	Connector M12

DIMENSIONS (NOT TO SCALE)



ORDERING INFORMATION

DESCRIPTION	CODES
LASER KIT	0295131

ACCESSORIE	CODES
M12 female connector + CABLE L 5 mt	0039815
2 m cable, M12 female connector	0039168
2 m cable, 90°- M12 female connector	0039830
5 m cable, 90°- M12 female connector	0398115

Info Distributor:

C2251PE WK 14/16

Dropsa products can be purchased from Dropsa subsidiary and Dropsa sales representatives, visit www.dropsa.com/contact or contact us sales@dropsa.com