

8040/11-V30-033-S Art. No. 248631



- Available as 2 pole OFF switch or changeover switch
- Enclosure made of optical fibre reinforced polyester resin
- Degree of protection IP66 according to IEC/EN 60529
- Clear position indicator 0/1 or ON/OFF

WebCode 8040F



The installation switches Series 8040/11-V30 are used for lighting installations. The switch position is shown unambiguously by the 90° position. This is especially convenient if lights and switch are in different rooms. The fluorescent turning handle can be useful in the case of a power failure.

Technical Data

Explosion Protection

Application range (zones)	1 2 21 22
IECEX gas certificate	IECEX PTB 06.0025
IECEX gas explosion protection	Ex db eb IIC T6 Gb
IECEX dust certificate	IECEX PTB 06.0025
IECEX dust explosion protection	Ex tb IIIC T80 °C Db
ATEX gas certificate	PTB 01 ATEX 1105
ATEX gas explosion protection	Ex II 2 G Ex db eb IIC T6 Gb
ATEX dust certificate	PTB 01 ATEX 1105
ATEX dust explosion protection	Ex II 2 D Ex tb IIIC T80 °C Db
EAC certificate	TS RU S-DE.AA71.B.00115
EAC gas explosion protection	Ex 1 Ex e . IIC T6...T4 Gb X
Certificates	ATEX (PTB), China (CQST), EAC (LPE), IECEX (PTB)
Ship approval	GL

Electrical Data

Rated operational voltage DC	220 V
Rated operational voltage AC	690 V
Rated operational current	16 A (T6)
No. of poles	2

Ambient Conditions

Ambient temperature	-60 °C ... +60 °C
---------------------	-------------------

Mechanical Data

Version	Off switch
Degree of protection (IP)	IP66
Degree of protection note	according to IEC/EN 60529
Enclosure material	Polyester

8040/11-V30-033-S Art. No. 248631

Mechanical Data

Cover material	Polyamide
Sealing material	Silicone
Contact material	Silver-nickel
Silicone-free	No
Connection terminals min.	1.5 mm ²
Connection terminals solid max.	4 mm ²
Connection terminals finely-stranded max.	2.5 mm ²
Service life, min.	10 ⁵ operating cycles
Weight	0 kg
Weight	0 lb

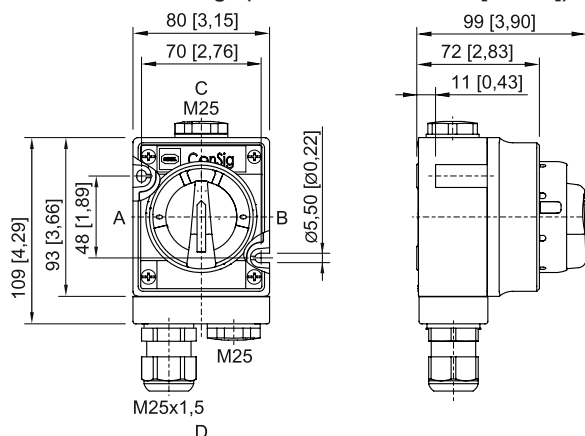
Mounting / Installation

Tightening torque	1.8 Nm
-------------------	--------

Components

Screw connections	1 x M25 Ø 7 to 17 mm
Stopping plug	2 x M25 x 1.5

Dimensional Drawings (All Dimensions in mm [inches]) – Subject to Alterations



We reserve the right to make alterations to the technical data, dimensions, weights, designs and products available without notice. The illustrations cannot be considered binding.