

# 6-270 Heavy Duty Handle

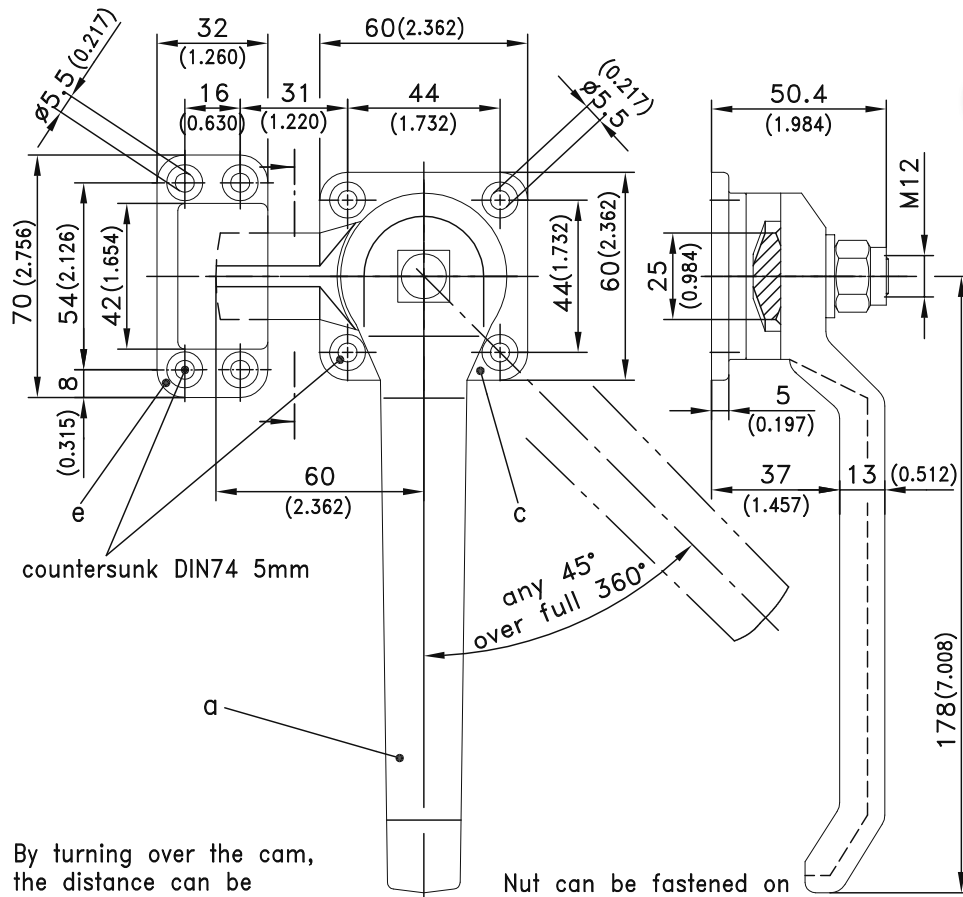


## Heavy Duty Handle.

- RH or LH application.
- Cam can be turned over and can be fastened at any 45° angle.

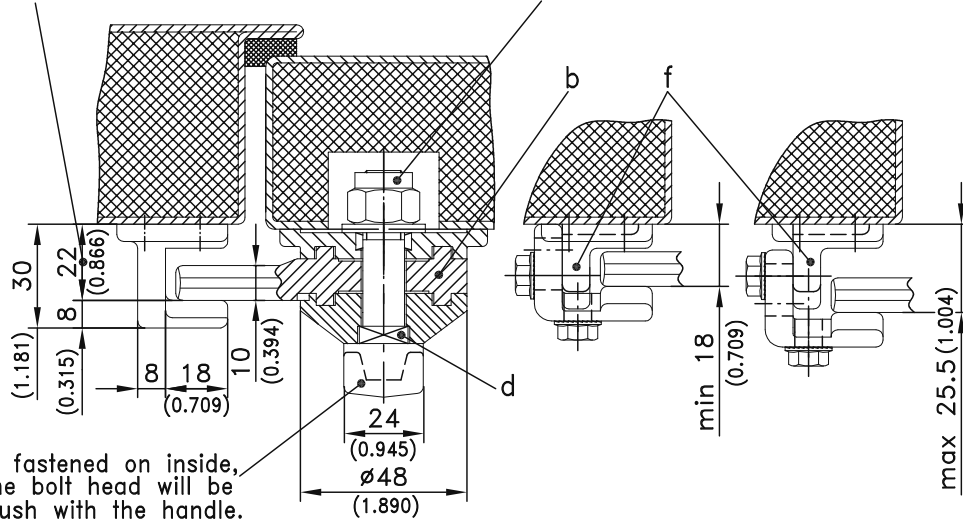
## Material:

- a), b), c), e) and f)
  - **Handle, cam, base plate and hook:** white malleable cast iron, zinc plated
  - d)
    - **Shaft:** steel, zinc plated



By turning over the cam, the distance can be either 18(0.709) or 22(0.866)

Nut can be fastened on inside or outside.



If fastened on inside, the bolt head will be flush with the handle.

- a) to d) Handle, complete
- e) Hook
- f) Hook, adjustable

Part No.  
232-9001  
 232-1201  
 232-9201



04/12/2010 © copyright by DIRAK / Germany

DIRAK GmbH Königfelder Str. 1 D-58256 Ennepetal Phone:+49 (0) 2333.837-0 Fax: +49 (0) 2333.837-100 www.dirak.com

Latches