



**KEY FEATURES & BENEFITS**

Clampco Sistemi control boards operate the whole system, whatever the number of obstruction lights. The board has the following functions:

- protected power supply to obstruction lights and photoelectric switch
- electronic conversion from locally available mains to the AWLS operating voltage (the requested AC-DC, converter is installed inside the control board on a DIN rail)
- generation of visual alarms (front panel pilot lamps) and remote transmission of URGENT and NON URGENT alarms (COM, NC, No dry contacts on screw terminals)
- easy checking procedure of the whole system by means of front panel switches and buttons accessible to the operator
- the above functions are associated with special Clampco Sistemi 'plug-in' modules which are easy to replace without tools

**SPECIAL FUNCTION**

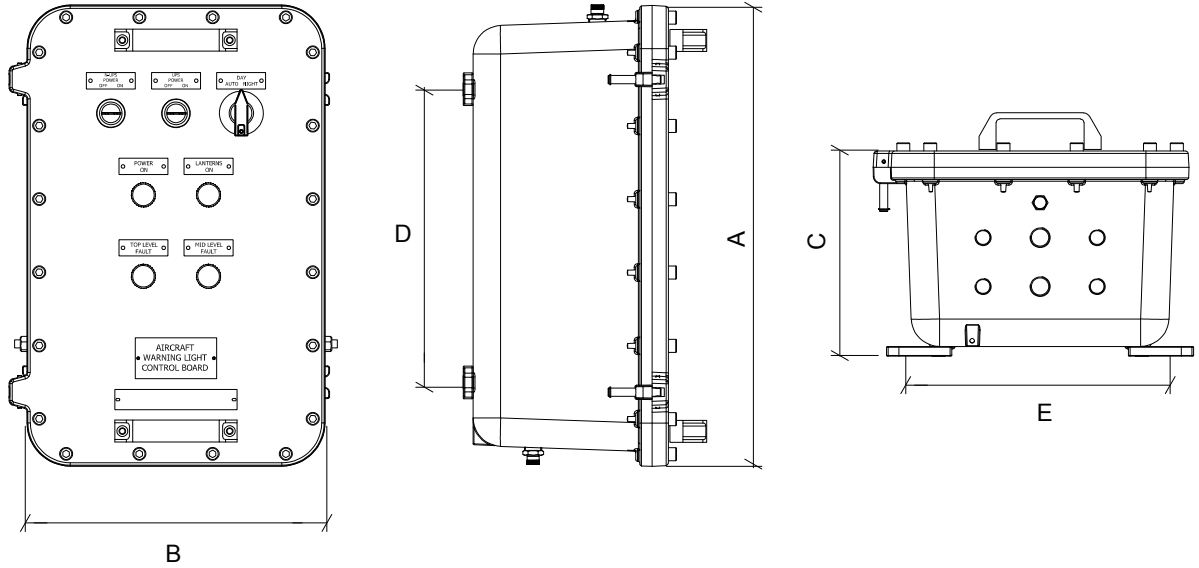
- synchronisation of all the flashing obstruction lights in the system

**SPECIFICATIONS**

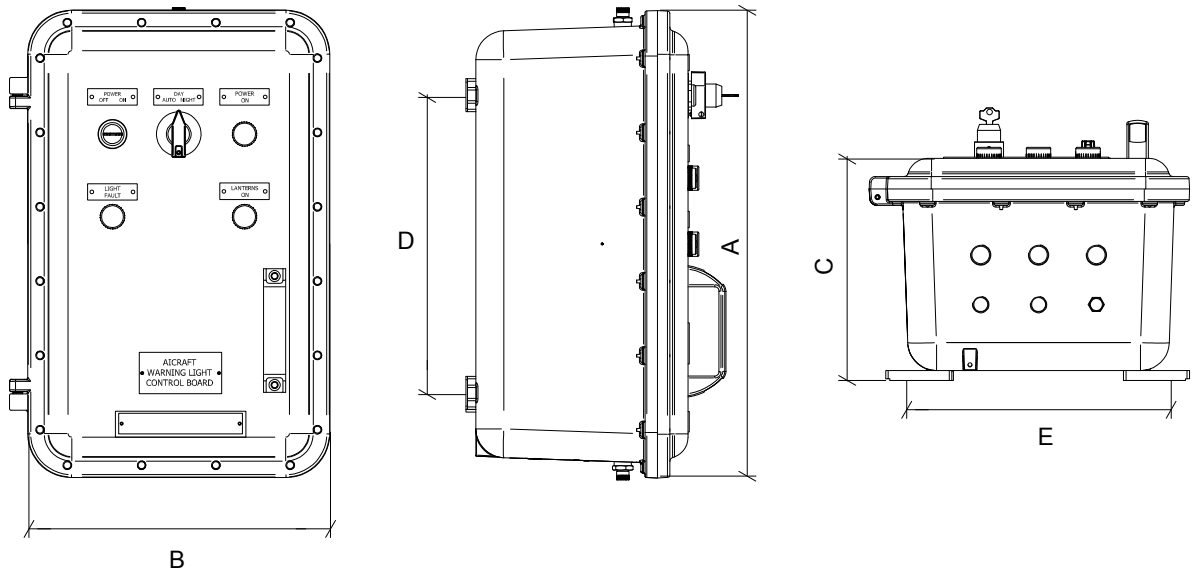
	<b>SEQC83xxx1</b>	<b>SEQC88xxx1</b>
Order Code	The name of the control board depends on Obstruction light's quantity	
Typical use	20-40 fpm (flash per minutes)	
Flashing rate	Alarm remotization as dry contact	
Alarm Management	110 - 230 Vac (50-60 Hz)	
Input voltage	48 Vdc	110-230 Vac
Output voltage	The power of the control board depends on Obstruction light's quantity	
Average power consumption	from -20 °C to +60 °C	
Temperature range	IP66	
Protection degree	Die cast aluminum alloy copper free (RAL 9006)	
Material of the body	Barrier cable gland M20-M25 nickel plated suitable for cable up to 24 mm	
Connection	The weight of the control board depends on Obstruction light's quantity	
Weight/size	Galvanized steel canopy	
Optional mounting hardware	4x Stainless steel Hexagon head screws M10x40	
Fixing	II 2G Exd IIB+H2 T4 Gb	
Explosion proof protection	ATEX BKI 11 ATEX 0018	
ATEX	IECEX BKI 11.0009	
IECEX		

TECHNICAL DRAWINGS

SEQC8xxxx enclosures (EJC31, EJC51, EJC61)



SEQC8xxxx enclosures (EJB31, EJB51, EJB61)



Clampco Sistemi reserves the right to make changes at any time in order to supply the best product possible.

CODE	A (mm)	B (mm)	C (mm)	D (mm)	E (mm)
EJC31	415	315	228	294	285
EJC51	566	366	240	360	347
EJC61	670	470	344	500	445
EJB31	415	315	250	294	288
EJB51	566	366	257	360	343
EJB61	670	470	360	500	437



PHOTOMETRIC STANDARD COMPLIANCE



ICAO ANNEX 14, VOLUME I;



FAA AC 150/5345-43L;

KEY FEATURES & BENEFITS

- designed and manufactured in Italy by Clampco Sistemi
- resistance to corrosion

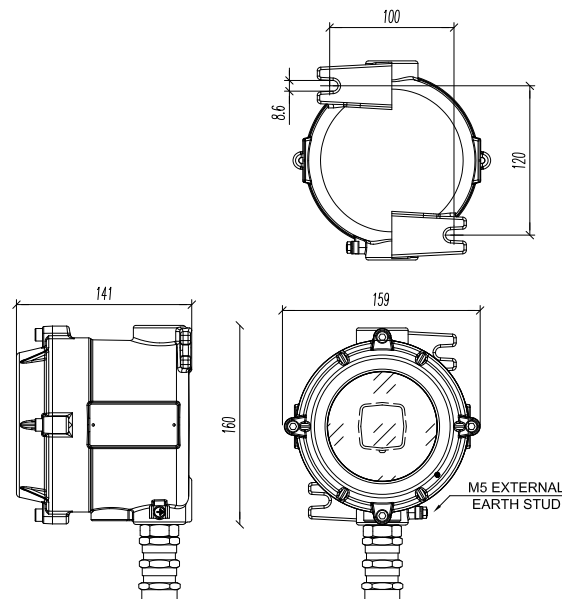
SPECIFICATIONS

Order Code	SEI1012DC_EX4	SEI1024DC_EX4	SEI1048DC_EX4	SEI1120DC_EX4	SEI1230DC_EX4
Typical use	Systems for Night time use				
OFF delay time	9" ± 10%				
ON delay time	38" ± 10%				
Threshold	Adjustable from 22 to 3000 lux (factory setting 300 lux)				
Input voltage	12 Vdc	24 Vdc	48 Vdc	120 Vac	230 Vac
Power consumption	<1 W				
Temperature range	from -20 °C to +60 °C				
Protection degree	IP66				
Material of the body	Die cast aluminum alloy (RAL 9006)				
Material of the transparent cap	Glass				
Connection	Barrier cable gland M20 nickel plated suitable for cable up to 19 mm				
Weight	2 Kg				
Fixing	No. 2 holes ø 8mm				
Explosion proof protection	II 2G Exd IIC T6 Gb				
ATEX	INERIS 02 ATEX 0090X				
IECEX	INE 14.0013X				

OPTION – SPARE PART

SP_SEI1230AC	PCB board for single photoelectric switch
--------------	---

TECHNICAL DRAWINGS



Clampco Sistemi reserves the right to make changes at any time in order to supply the best product possible.