

## Entry Door Hardware

Southco offers a broad range of door hardware to suit a wide variety of access door configurations. Aesthetically pleasing, innovative designs allow for an integrated, yet distinctive look and feel for cabin and entry doors. Constructed from marine grade materials, these products offer long-lasting durability and performance.

Contact a Southco sales representative or visit us online at [www.southco.com](http://www.southco.com) to view our comprehensive range of products.



MA



MA



MM



MG



MF



MR





# MA McCoy Swing Door Latch Privacy Knob

- Marine-grade materials to prevent corrosion
- Double springs keep handle from sagging
- Emergency lock override
- Privacy lock option

### Material and Finish

Lock engine: Brass  
 Handles, escutcheons, accents and privacy knob: Brass  
 See Finish Table

### Appearance:

Combine handles, escutcheon plates, and accent plates to customize the latch for your application. For unique styling combine the McCoy with a wide range of stylish Olivari handles. See page 527

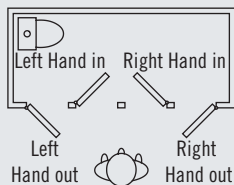
### Handle Types:



### Part Number Selection

(For Strikers please see page 531)

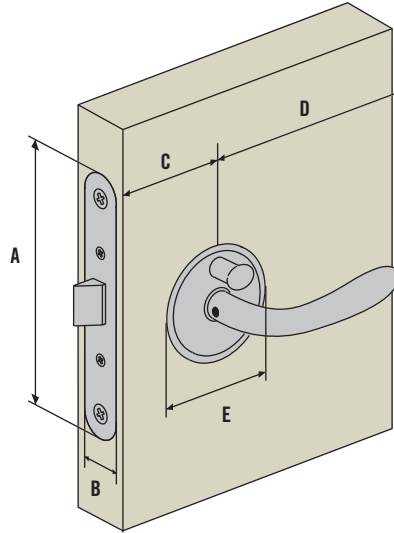
### D Directional Door Swing:



Other options available. For complete details on variety, part numbers, installation and specification, go to

[www.southco.com/MA](http://www.southco.com/MA)

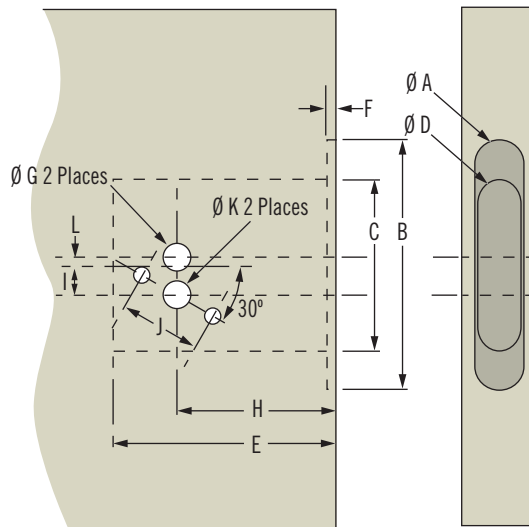
### Door Latch



Dimensions in millimeters (inch) unless otherwise stated

	Imperial		Metric
	Nominal	Decimal	
A	3 29/32	3.91	99
B	41/64	.64	16
C	1 23/32	1.71	43.5
D	3 15/16	3.94	100
E	2 3/16	2.17	55

### Panel Preparation



	Imperial		Metric
	Nominal	Decimal	
A	5/8	.64	8.2
B	3 29/32	3.91	99
C	2 31/64	2.48	63
D	1/2	.50	13
E	2 15/32	2.46	62.5
F	5/64	.08	2
G	5/8	.63	16
H	1 25/32	1.77	45
I	1/2	.50	12.5
J	1 3/32	1.09	27.7
K	1/4	.25	6.5

MA - **BB** - **D** **L** **T** - **HH** - **FF**

**BB** Latch Mechanism  
 01 Standard Springbolt  
 08 Double Springbolt

**FF** Finish  
 10 Chrome  
 12 Chrome + Satin Accent  
 14 Chrome + Brass Accent  
 20 Satin  
 21 Satin + Chrome Accent  
 40 Diamond Brass

**D** Directional  
 2 Right Out  
 3 Right In  
 4 Left Out  
 5 Left In  
 6 Right Out - Left In  
 7 Left Out - Right In

**HH** Handle  
 01 Nova  
 02 Portofino

**T** Door Thickness  
 0 22-30mm (7/8" - 1 3/16")  
 1 28-37mm (1 1/8" - 1 1/2")

**L** Locking Option  
 0 Non Locking **D** = 6 or 7  
 2 Privacy **D** = 2 or 5

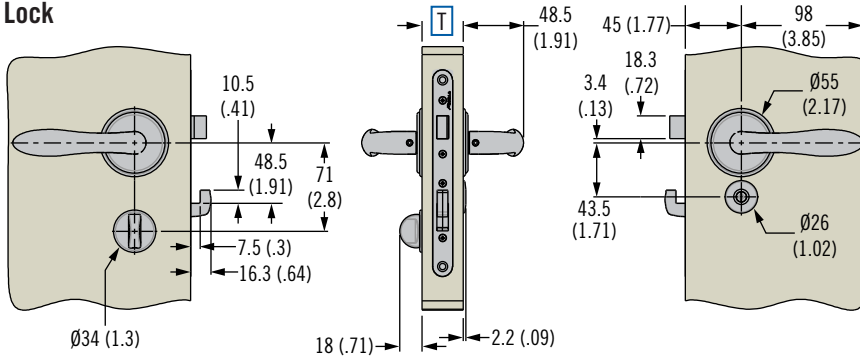


# MA McCoy Star Swing Door Latch Key Locking Round Trim

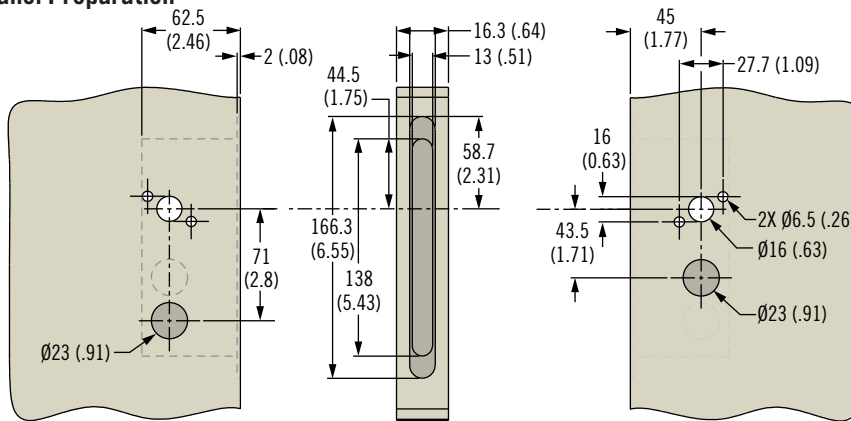


Dimensions in millimeters (inch) unless otherwise stated

### Lock



### Panel Preparation



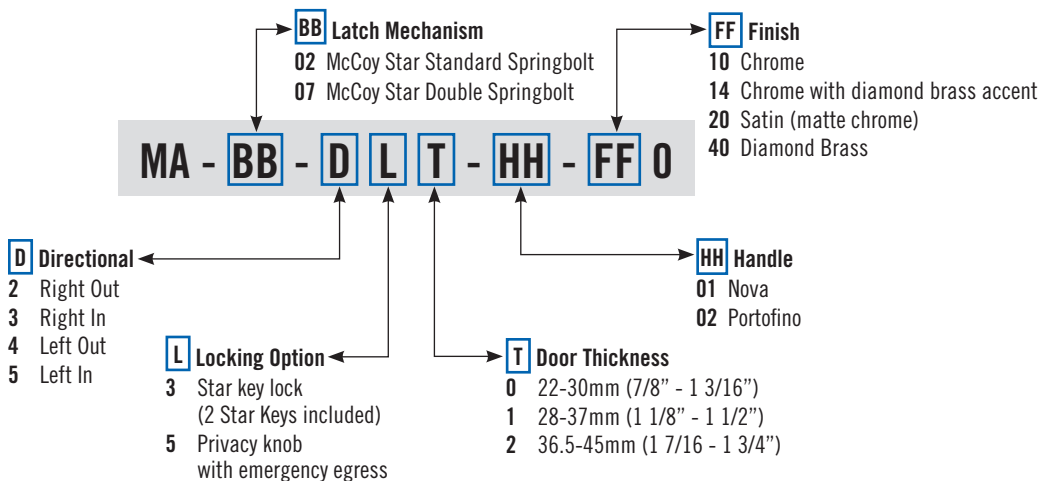
- Marine-grade materials to prevent corrosion
- Provide high-end security with the Star Key Lock system's three-axis six-pin tumbler design
- Prevent door lift-off with the Star Key Lock hooked locking mechanism that features an active locking deadbolt facing up
- Offer the option of an interior privacy knob with exterior override for non-locking applications

### Material and Finish

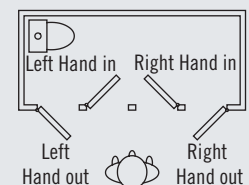
Lock engine: Brass  
Handles, escutcheons, accents and privacy knob: Brass  
See Finish Table

### Part Number Selection

(For Strikers please see page 525)



### D Directional Door Swing:



Other options available. For complete details on variety, part numbers, installation and specification, go to





# MA McCoy Swing Door Latch

## Key Locking Square Trim

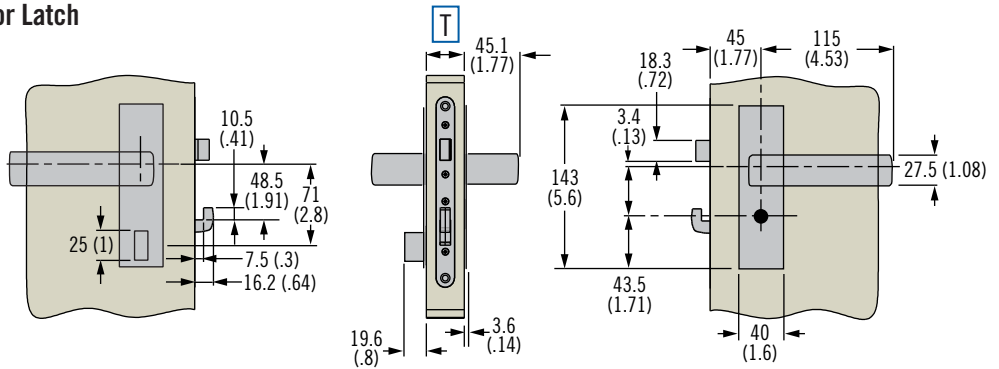
Dimensions in millimeters (inch) unless otherwise stated

- Marine grade materials to prevent corrosion
- Provide high-end security with the Star Key Lock system's three-axis six-pin tumbler design
- Prevent door lift-off with the Star Key Lock hooked mechanism, featuring an active locking deadbolt facing up

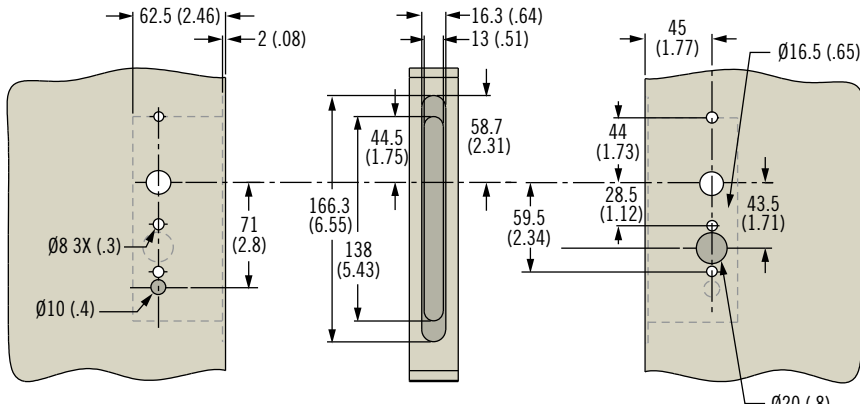
### Material and Finish

Lock engine: Brass  
 Handles, escutcheons, accents and privacy knob: Brass  
 See Finish Table

### Door Latch

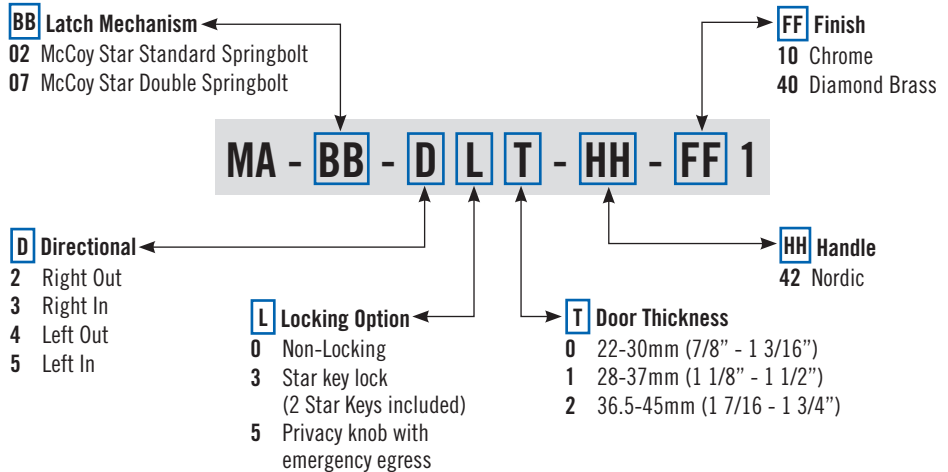


### Panel Preparation

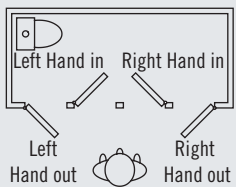


### Part Number Selection

(For Strikers please see page 525)



### D Directional Door Swing:



Other options available. For complete details on variety, part numbers, installation and specification, go to

[www.southco.com/MA](http://www.southco.com/MA)



Request Info



1-800-453-1692

[www.aboveboardelectronics.com](http://www.aboveboardelectronics.com)

# MA McCoy Swing Door Latch

## Olivari handles



### Olivari Handles

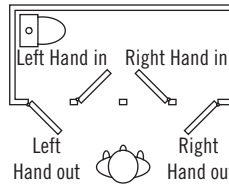
Let Southco Marine provide the perfect accent to your interior design. Award winning Olivari handles can be teamed with the world class McCoy lockset to provide the look and feel that set your design apart.

### Part Number Selection

Please refer to McCoy Swing Door Latch for Base part number.

**MA - BB - D L T - HHH - FF**

**HHH Handle**  
 Refer to Olivari website and literature for 3-digit handle code for example  
 Aster = 174  
 Sector = 186



167 Emilia



174 Aster



134 Torino



186 Sector



108 Uovo



# MA McCoy Swing Door Latch

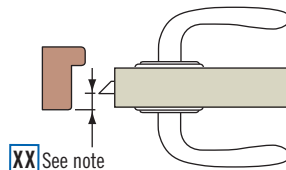
## Striker



### Striker



Dimensions in millimeters (inch) unless otherwise stated



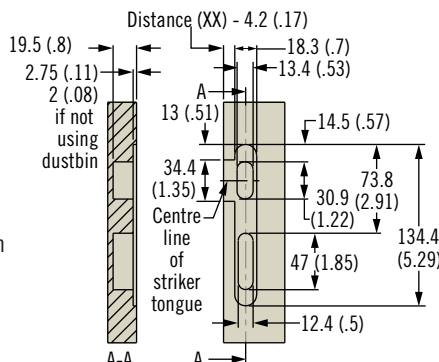
**XX** See note  
 Note:  
 Distance **XX** is measured from the edge of the frame to the spring bolt

### Part Number Selection

**MC - 90 - 4 XX - Y - Z - 10**

- XX** Position
  - 05 5mm (3/16")
  - 07 7mm (1/4")
  - 09 9mm (3/8")
  - 13 13mm (1/2")
  - 16 16mm (5/8")
  - 21 21mm (7/8")
- Y** Swing
  - 1 Right In/Left Out
  - 2 Left In/Right Out
- Z** Dustbin Option
  - 0 No Dustbin
  - 1 With Dustbin

### Panel Preparation



### Material and Finish

Striker: Brass, chrome plated

Other options available. For complete details on variety, part numbers, installation and specification, go to

[www.southco.com/MA](http://www.southco.com/MA)



Request Info



1-800-453-1692

[www.aboveboardelectronics.com](http://www.aboveboardelectronics.com)



# ME Offshore Swing Door Latch

Flush, key locking and privacy

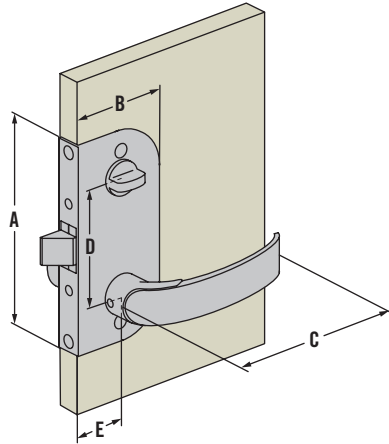
Dimensions in millimeters (inch) unless otherwise stated

- Offshore is available for both mortise- and flush-mount installations.
- All marine-grade materials for corrosion resistance
- Offshore flush-mount is designed to fit thinner doors (from 12.7mm / 1/2")
- Interior Privacy Lock with exterior override

### Material and Finish

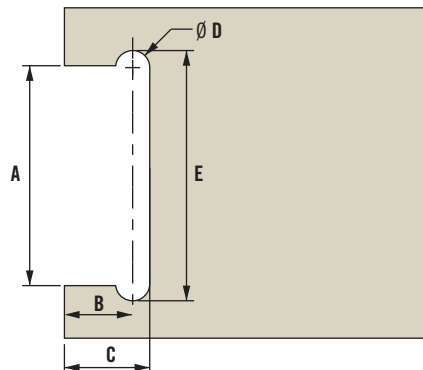
Lock engine: Aluminum  
 Handles, escutcheons finish: chrome, aluminum and black  
 Privacy: Acetal

### Flush Privacy Locking



	Imperial		Metric
	Nominal	Decimal	
A	4 37/64	4.59	116.5
B	2 5/32	2.17	55
C	3 15/16	3.94	100
D	2 7/16	2.44	62
E	1 3/16	1.18	30

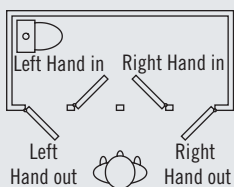
### Panel Preparation



	Imperial		Metric
	Nominal	Decimal	
A	3 21/32	3.65	93
B	1 3/32	1.09	28
C	1 21/32	1.65	42
D	1 3/32	1.09	28
E	4 1/32	4.00	102

### Part Number Selection

#### D Directional Door Swing:



**ME - 01 - D L T - FF**

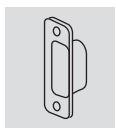
- D** Directional
- 2 Right Out
  - 3 Right In
  - 4 Left Out
  - 5 Left In

- L** Locking Option
- 0 Privacy
  - 1 Key Locking

- FF** Finish
- 10 Chrome
  - 50 Black
  - 60 Aluminum

- T** Door Thickness
- 0 12.5 - 15mm (1/2" - 5/8")
  - 1 14.5 - 17mm (9/16" - 11/16")
  - 2 17 - 19mm (11/16" - 3/4")
  - 3 19 - 21mm (3/4" - 7/8")

For strikers see page 531



Other options available. For complete details on variety, part numbers, installation and specification, go to

[www.southco.com/ME](http://www.southco.com/ME)



Request Info



1-800-453-1692

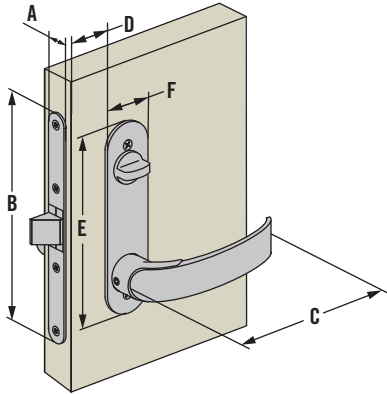
[www.aboveboardelectronics.com](http://www.aboveboardelectronics.com)

# ME Offshore Swing Door Latch

## Mortise locking



### Mortise Privacy Locking



Dimensions in millimeters (inch) unless otherwise stated

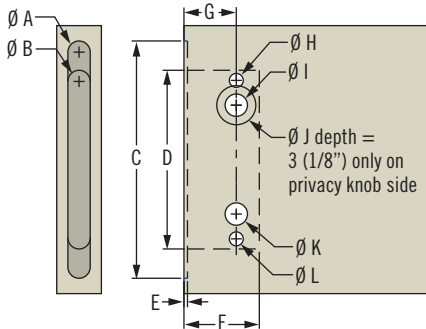
	Imperial		Metric
	Nominal	Decimal	
A	31/64	.492	12.5
B	5 5/16	5.31	135
C	3 15/16	3.94	100
D	39/64	.61	15.5
E	4 37/64	4.59	116
F	1 3/16	1.18	30

- All marine-grade materials for corrosion resistance
- Mortise mount installation
- Interior privacy lock with exterior override

### Material and Finish

Lock engine: Aluminum  
 Handles, escutcheons finish: chrome, aluminum and black  
 Privacy: Acetal

### Panel Preparation



	Imperial		Metric
	Nominal	Decimal	
A	1/2	.50	12.5
B	1/2	.50	12.5
C	5 5/16	5.31	135
D	4	4	102
E	1/16	.06	1.5
F	1 11/16	1.69	43
G	1 11/64	1.17	30
H	5/16	.31	8
I	1/2	.50	12
J	7/8	.88	22
K	1/2	.50	12
L	5/16	.31	8

### Part Number Selection

**ME - 02 - D L T - FF**

**D Directional**

2 Right Out  
 3 Right In  
 4 Left Out  
 5 Left In

**L Locking Option**

0 Privacy  
 1 Key Locking

**FF Finish**

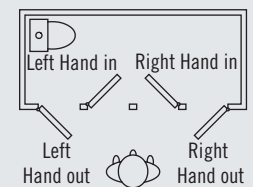
10 Chrome  
 50 Black  
 60 Aluminum

**T Door Thickness**

4 18-22mm (11/16" - 7/8")  
 5 22-27mm (7/8" - 1 1/16")  
 6 27-32mm (1 1/6" - 1 1/4")  
 7 32-37mm (1 1/4" - 1 1/2")

For strikers see page 531

### D Directional Door Swing:



Other options available. For complete details on variety, part numbers, installation and specification, go to

[www.southco.com/ME](http://www.southco.com/ME)





# ME Offshore Swing Door Latch

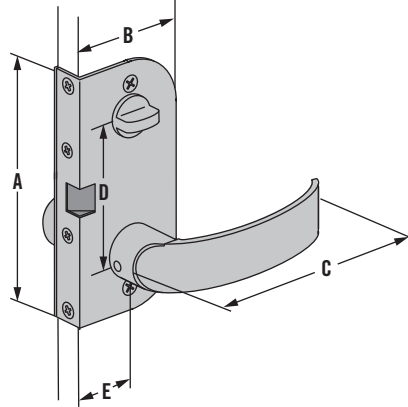
## Curved locking

- All marine-grade materials for corrosion resistance
- Flush mount installations
- Interior privacy lock with exterior override

### Material and Finish

Lock engine: Aluminum  
 Handles, escutcheons finish: chrome, aluminum and black  
 Privacy: Acetal

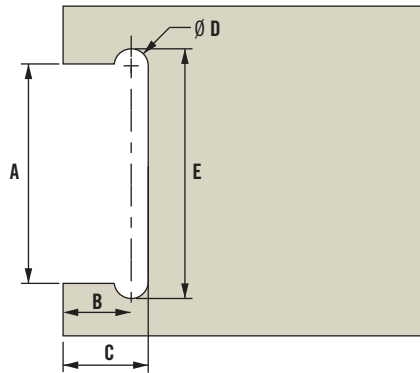
### Flush Curved Offshore



Dimensions in millimeters (inch) unless otherwise stated

	Imperial		Metric
	Nominal	Decimal	
A	4 37/64	4.589	116.5
B	2 5/32	2.17	55
C	3 15/16	3.94	100
D	2 7/16	2.44	62
E	1 3/16	1.18	30

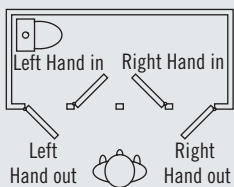
### Panel Preparation



	Imperial		Metric
	Nominal	Decimal	
A	3 21/32	3.65	93
B	1 3/32	1.09	28
C	1 21/32	1.65	42
D	1 3/32	1.09	28
E	4 1/32	4.00	102

### Part Number Selection

#### D Directional Door Swing:



ME - 03 - **D** **L** **T** - **FF**

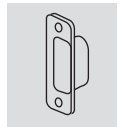
**D** Directional  
 6 Right Out/Left In  
 7 Left Out/Right In

**FF** Finish  
 10 Chrome  
 60 Aluminum

**L** Locking Option  
 0 Privacy  
 1 Key Locking

**T** Door Thickness  
 For thinner doors please add below spacer  
 1 12.7mm (1/2")  
 2 19mm (3/4")  
 3 25.4mm (1")

For strikers  
 see page 531



Other options available. For complete details on variety, part numbers, installation and specification, go to

[www.southco.com/ME](http://www.southco.com/ME)

**ADE**  
 Above Board Electronics, Inc.

Request Info



1-800-453-1692

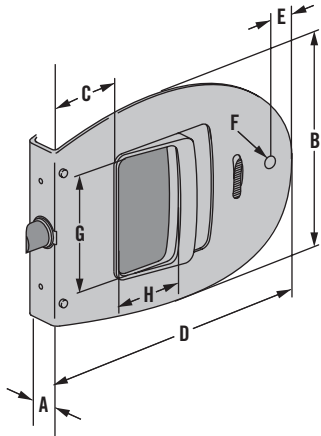
[www.aboveboardelectronics.com](http://www.aboveboardelectronics.com)



# MR Omni Cabin & Cockpit Door Lock

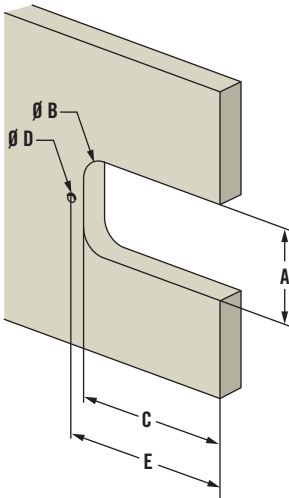


Dimensions in millimeters (inch) unless otherwise stated

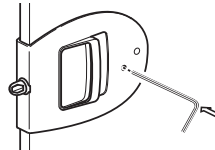


	Imperial		Metric
	Nominal	Decimal	
A	Panel Thickness		
B	6 7/16	6.42	163
C	1 9/64	1.14	29
D	4 9/16	4.57	116
E	3/8	.37	9.5
F	15/64	.24	6
G	1 13/16	1.81	46
H	1 1/32	1.02	26

## Panel Preparation



How to override a locked Omni door lock from the outside



		Imperial		Metric
		Nominal	Decimal	
A	min.	2 3/16	2.19	55.6
	max.	2 1/4	2.27	57.9
B	min.	1/4	.25	6.4
	max.	9/16	.56	14
C	min.	3 13/16	3.813	96.8
	max.	3 7/8	3.875	98.4
D		1/4	.25	6.4
E		4 3/16	4.19	106.3

Omni Part Numbers						
Door thickness (A)	Spring bolt		Flat		2 step	
	Privacy	No privacy	Privacy	No privacy	Privacy	No privacy
12.7 mm (1/2)	MR-01-120-24	MR-01-100-24	MR-02-120-24	MR-02-100-24	MR-03-120-24	MR-03-100-24
16 mm (5/8)	MR-01-121-24	MR-01-101-24	MR-02-121-24	MR-02-101-24	MR-03-121-24	MR-03-101-24
19 mm (3/4)	MR-01-122-24	MR-01-102-24	MR-02-122-24	MR-02-102-24	MR-03-122-24	MR-03-102-24
Features						
Privacy	X		X	-	X	-
Adjust Spring Bolt	X	X	-	-	X	X
Bumpers (both sides)	X	X	X	X	X	X
Left and Right swing	X	X	X	X	X	X

## Options

Striker Part Number	
Omni Flat	MR-90-100-10

Doorkeeper Part Numbers		
Type	White	Black
1	MR-91-101-70	MR-91-101-50
2	MR-91-102-70	MR-91-102-50

- All marine-grade materials for corrosion resistance
- Flush outer surface
- Privacy button option
- Optional doorkeeper holds door in open position

## Material and Finish

Handle, housing: Acetal, black  
Escutcheon: Stainless steel, polished



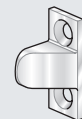
Omni 2-Step



Omni Flat



Omni Spring Bolt



Omni Flat Striker

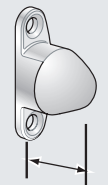
## Doorkeepers

Type 1



12 (1/2")

Type 2



18 (11/16")

Other options available. For complete details on variety, part numbers, installation and specification, go to

[www.southco.com/MR](http://www.southco.com/MR)





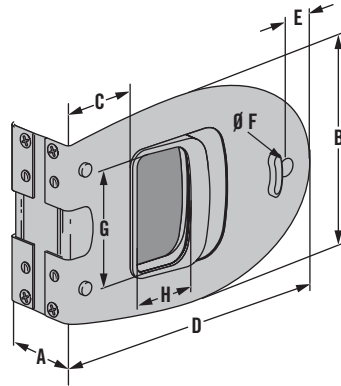
# MR Omni Bob Transom Door Latch

- Easily-adjustable springbolts for left- or right-swing are included for fast conversion
- Nylon bumpers reduce vibration and prevent door rattle
- Optional doorkeeper holds door in open position

### Material and Finish

Lock engine: Aluminum  
 Handles, escutcheons finish: chrome, aluminum and black  
 Privacy: Acetal

### Omni Bob

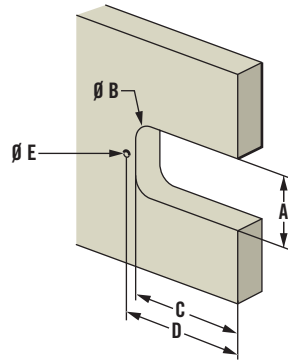


Dimensions in millimeters (inch) unless otherwise stated

	Imperial		Metric
	Nominal	Decimal	
A	Panel Thickness		
B	3 15/16	3.90	99
C	1 3/8	1.38	35
D	5 5/16	5.32	135
E	15/64	.24	6
F	15/64	.24	6
G	2 5/32	2.17	55
H	1 3/16	1.18	30

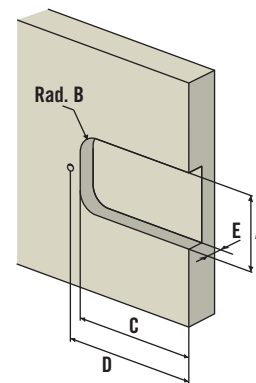
### Panel Preparations

#### Omni Bob



	Imperial		Metric
	Nominal	Decimal	
A	2 11/16	2.67	68
B	5/8	.63	16
C	4 11/16	4.69	119
D	5 3/64	5.04	128
E	15/64	.24	6

#### Omni Bob Single



	Imperial		Metric
	Nominal	Decimal	
A	2 11/16	2.67	68
B	5/16	.32	8
C	4 11/16	4.69	119
D	5 3/64	5.04	128
E	25/32	.787	20

### Part Number Selection

Omni Bob Part Numbers	
Door thickness range	
25 - 31 mm (1 - 1-1/4")	MR-04-106-24
30 - 36 mm (1-3/16 - 1-7/16")	MR-04-107-24
35 - 41 mm (1-3/8 - 1-5/8")	MR-04-108-24
40 - 46 mm (1-9/16 - 1-13/16")	MR-04-109-24
45 - 51 mm (1-3/4 - 2")	MR-04-1010-24

Omni Bob Single Part Numbers		
Door thickness range	Door Swing	
25 mm (1")	right out/left in	MR-05-603-24
25 mm (1")	left out/right in	MR-05-703-24

Other options available. For complete details on variety, part numbers, installation and specification, go to

[www.southco.com/MR](http://www.southco.com/MR)



Request Info



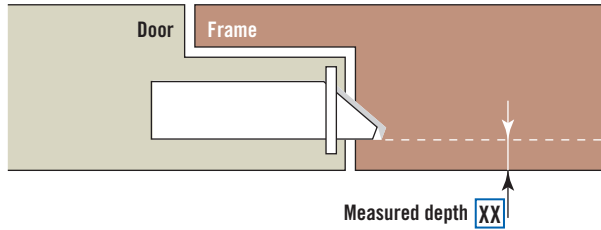
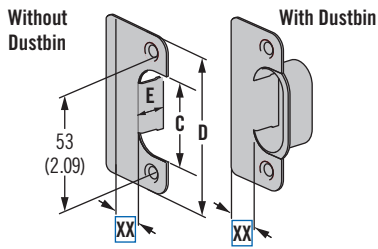
1-800-453-1692

[www.aboveboardelectronics.com](http://www.aboveboardelectronics.com)

# MC Striker



Dimensions in millimeters (inch) unless otherwise stated



To find the right striker for your application, measure the distance from the door face to the edge of the springbolt of the latch.

C		D		E	
Metric	Imperial	Metric	Imperial	Metric	Imperial
36	1 7/16	68	2 11/16	13	1/2

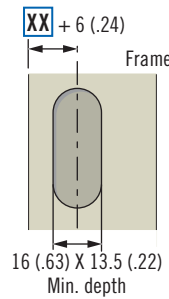
## Part Number Selection

**MC - 90 - Z XX - FF**

**Z** Dustbin Option  
 1 No Dustbin  
 2 With Dustbin

**XX** Position  
 03 3mm (7/64")    13 13mm (1/2")  
 05 5mm (3/16")    16 16mm (5/8")  
 07 7mm (1/4")    21 21mm (7/8")  
 09 9mm (3/8")

**FF** Finish  
 10 Brass, nickel plated  
 24 Stainless steel  
 40 Brass

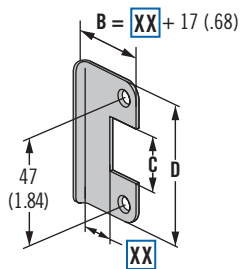


- Available in seven different sizes
- Suitable for Offshore, McCoy, Compact, and Omni swing door latches and many door and frame configurations and door thicknesses
- Striker tongue prevents wear from boat vibration
- Optional dustbin hides sawdust in the cut out hole and provides an elegant finish to the frame edge



[www.southco.com/MC](http://www.southco.com/MC)

# MC Whale Striker



C		D	
Metric	Imperial	Metric	Imperial
60	2 3/8	22	7/8

## Part Number Selection

**MC - 90 - 3 XX - FF**

**XX** Position  
 03 3mm (7/64")    13 13mm (1/2")  
 05 5mm (3/16")    16 16mm (5/8")  
 07 7mm (1/4")    21 21mm (7/8")  
 09 9mm (3/8")

**FF** Finish  
 10 Brass, nickel plated  
 40 Brass

- Suitable for Offshore, McCoy and Compact swing door latches.
- Quick and easy installation

Other options available. For complete details on variety, part numbers, installation and specification, go to



# MM Talon Sliding Entry Door Latch

Flush style, star and standard

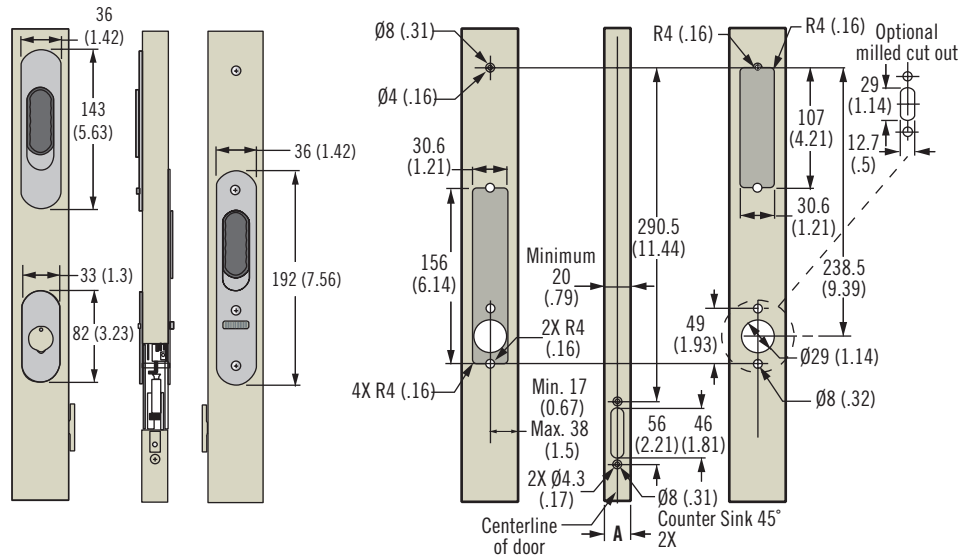
Dimensions in millimeters (inch) unless otherwise stated

- New superior Star Key Lock capability provides enhanced, three-axis pin tumbler security
- Top-stop latching feature provides option to secure door in the full open, full closed, or partially open positions, prevents accidental closing even in rough seas
- Attractive flush face design provides sleek look that complements a wide range of boats
- Optional high-seas handle provides sturdy grip for both latch and door operation
- Designed for doors in stainless steel and aluminum extrusions

### Material and Finish

Escutcheons, outside plate: Brass, chrome plated and aluminum, black powder coat  
 Privacy knob: Brass, chrome plated

### Panel Preparation



Star Part Numbers					
Finish	Style	Door Thickness (A)			
		20.5 (0.81) - 23 (0.91)	23 (0.91) - 28.5 (1.12)	28.5 (1.12) - 33.5 (1.32)	33.5 (1.32) - 38 (1.50)
Chrome	Standard	MM-01-130-10	MM-01-131-10	MM-01-132-10	MM-01-133-10
	Standard Top Stop feature	MM-01-430-10	MM-01-431-10	MM-01-432-10	MM-01-433-10
Black Powder Coated	Standard	MM-01-130-50	MM-01-131-50	MM-01-132-50	MM-01-133-50
	Standard Top Stop feature	MM-01-430-50	MM-01-431-50	MM-01-432-50	MM-01-433-50

Talon Part Numbers				
Without Key locking* (egress opening from outside)	Door Thickness Range			
	20.5 (.81) - 23 (.91)	22.5 (.87) - 27 (1.06)	27 (1.06) - 34.5 (1.38)	28.5 (1.13) - 38 (1.5)
Anodized aluminum	MM-01-100-60	MM-01-101-60	MM-01-102-60	MM-01-103-60
Powder coated black aluminum	MM-01-100-50	MM-01-101-50	MM-01-102-50	MM-01-103-50
Chrome	MM-01-100-10	MM-01-101-10	MM-01-102-10	MM-01-103-10
Diamond brass	MM-01-100-40	MM-01-101-40	MM-01-102-40	MM-01-103-40
Key locking				
Anodized aluminum	MM-01-110-60	MM-01-111-60	MM-01-112-60	MM-01-113-60
Powder coated black aluminum	MM-01-110-50	MM-01-111-50	MM-01-112-50	MM-01-113-50
Chrome	MM-01-110-10	MM-01-111-10	MM-01-112-10	MM-01-113-10
Diamond brass	MM-01-110-40	MM-01-111-40	MM-01-112-40	MM-01-113-40

Talon Accessories	
Mounting tool for striker	MM-90-103-41
Top Stop	MM-7521
High-seas handles for chrome Talon	MM-7660
High-seas handles for black Talon	MM-7683
Ramp for Top Stop	MM-90-201-60

For top stop installation please refer to website.  
 For high seas handle installation please refer to website.

Other options available. For complete details on variety, part numbers, installation and specification, go to

[www.southco.com/MM](http://www.southco.com/MM)



Request Info



1-800-453-1692

[www.aboveboardelectronics.com](http://www.aboveboardelectronics.com)

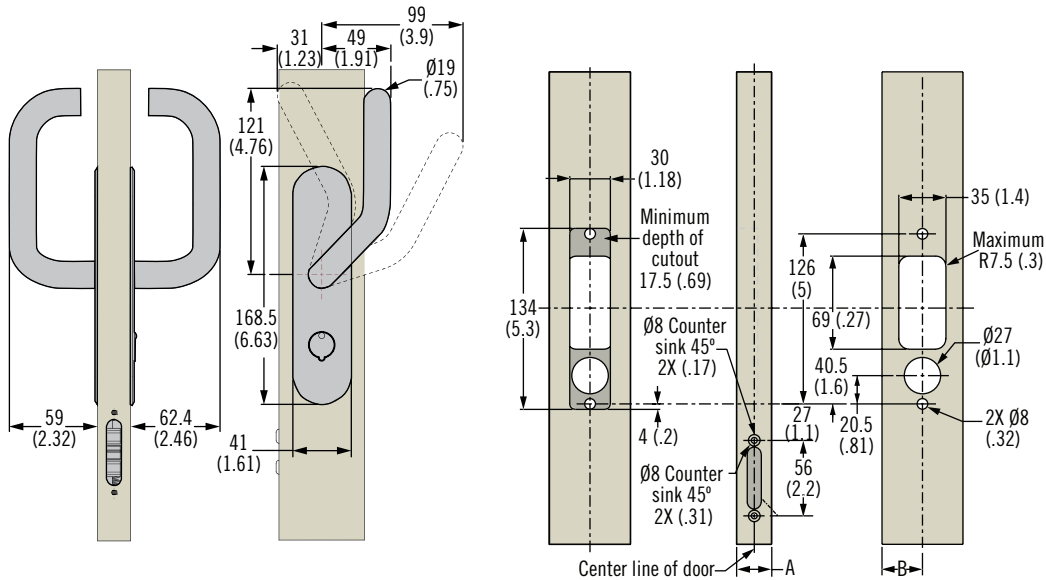
# MM Star Slider Entry Door Latch

## Handle style

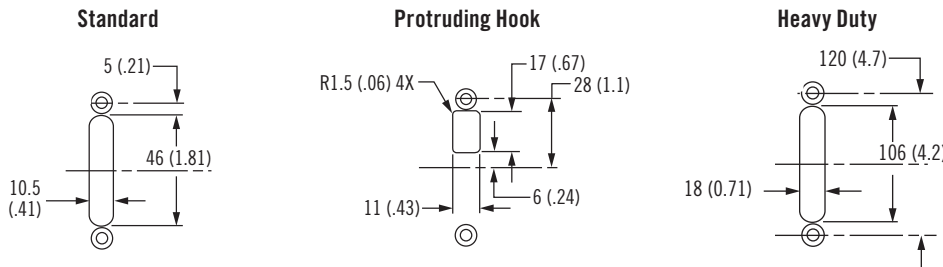


Dimensions in millimeters (inch) unless otherwise stated

### Panel Preparation



### Latch Module Options



Star Slider Part Numbers			
Latch Module	Door thickness (A)		
	23 (0.93) - 28.5 (1.12)	28.5 (1.12) - 33.5 (1.32)	33.5 (1.32) - 38 (1.50)
Standard	MM-03-131-14-10	MM-03-132-14-10	MM-03-133-14-10
Protruding hook	MM-03-331-14-10	MM-03-332-14-10	MM-03-333-14-10
Standard top stop feature	MM-03-431-14-10	MM-03-432-14-10	MM-03-433-14-10
Heavy Duty	MM-03-531-14-10	MM-03-532-14-10	MM-03-533-14-10
Protruding hook, top stop feature	MM-03-631-14-10	MM-03-632-14-10	MM-03-633-14-10

Star Slider Accessories	
Mounting tool for striker	MM-90-103-41
Top Stop	MM-7521
Ramp for top stop	MM-90-201-60

- Superior Star Key Lock™ capability provides enhanced three-axis pin tumbler security
- A one-piece pivot actuation latch with integrated lock mechanism provides reliable performance and a smooth, ergonomic feel in use
- Pivot handle on both sides
- Top-stop latching feature provides option to secure door in the full open, full closed, or partially open positions, prevents accidental closing even in rough seas
- Designed for doors in stainless steel and aluminium extrusions

### Material and Finish

Handle: Stainless steel, highly polished  
 Eschutcheon, privacy knob: Brass, chrome plated





# MM Star Slider Entry Door Latch

Flush inside style

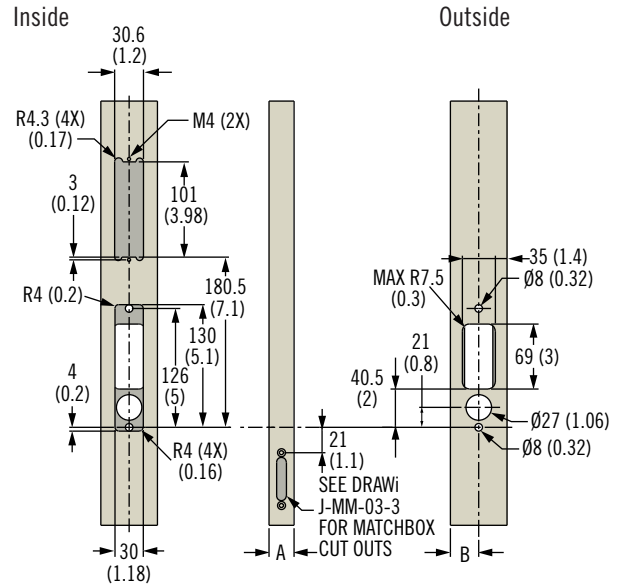
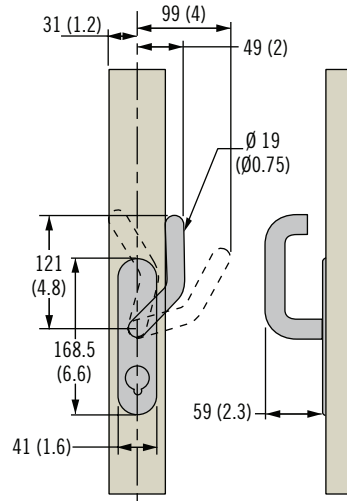
Dimensions in millimeters (inch) unless otherwise stated

- Superior Star Key Lock™ capability provides enhanced three-axis pin tumbler security
- A one-piece pivot actuation latch with integrated lock mechanism provides reliable performance and a smooth, ergonomic feel in use
- Flush version with pivot handle on the outside and flush handle on the inside
- Top-stop latching feature provides option to secure door in the full open, full closed, or partially open positions, prevents accidental closing even in rough seas
- Designed for doors in stainless steel and aluminium extrusions

### Material and Finish

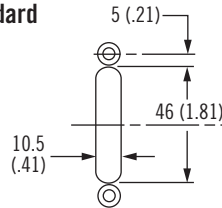
Escutcheons, outside plate: Brass, chrome plated  
 Privacy knob: Brass, chrome plated

### Panel Preparation

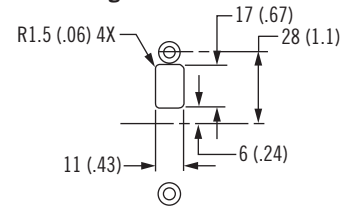


### Latch Module Options

#### Standard



#### Protruding hook



Slider Part Numbers - Flush inside version			
Latch Module Locking Mechanism	Door Thickness (A)		
	23 (.9) - 28.5 (1.12)	28.5 (1.12) - 33.5 (1.32)	33.5 (1.32) - 38 (1.50)
Standard. Star Slider chrome. Offset handle and flushed inside handle.	MM-03-131-XX-10	MM-03-132-XX-10	MM-03-133-XX-10
Star Slider chrome. Offset handle and flushed inside handle. Protruding hook.	MM-03-331-XX-10	MM-03-332-XX-10	MM-03-333-XX-10

XX = 15 for port closing door  
 XX = 16 for starboard closing door

Star Slider Accessories	
Mounting tool for striker	MM-90-103-41
Top Stop	MM-7521
Ramp for top stop	MM-90-201-60

Other options available. For complete details on variety, part numbers, installation and specification, go to

[www.southco.com/MM](http://www.southco.com/MM)



Request Info



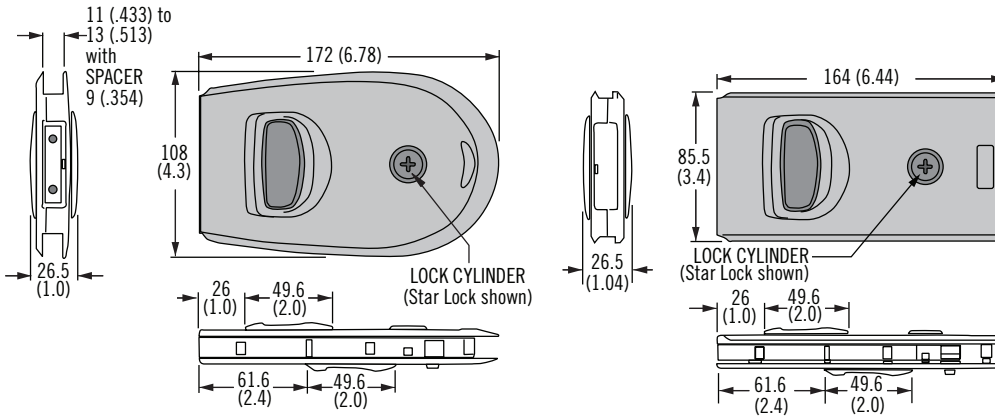
1-800-453-1692

[www.aboveboardelectronics.com](http://www.aboveboardelectronics.com)

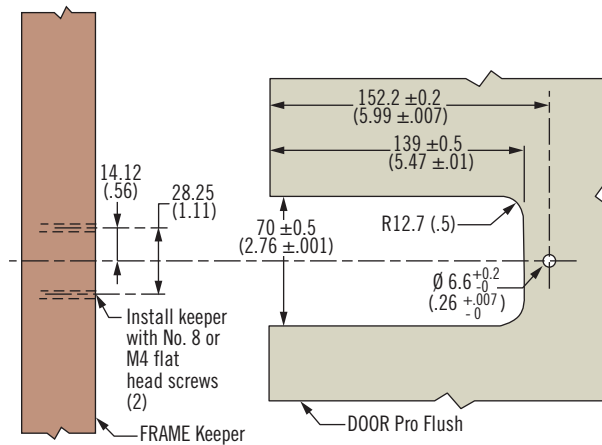
# MF ProFlush Entry Door Lock



Dimensions in millimeters (inch) unless otherwise stated



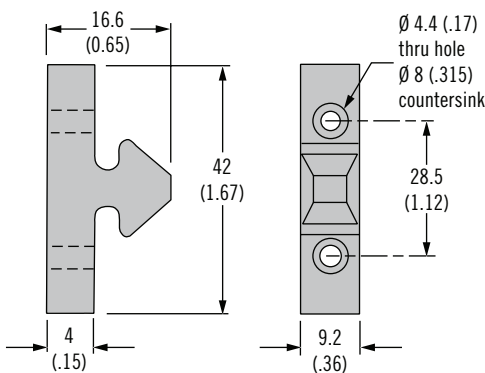
## Panel Preparation



- Marine grade materials to prevent corrosion
- Sealed to help prevent water intrusion
- Available with two types of lock plugs
  - Star lock system, provides high security with a pin tumbler lock plug
  - 3 wafer flat key (MIM) lock, provides security with a stainless steel plug and has a reversible key
- Oval and square variant available

## Material and Finish

Escutcheon: Stainless steel, highly polished  
 Handles: Polycarbonate/polyester, black  
 Privacy knob: Nylon, black



	Part Number	
Pro Flush Latch*	Oval	Square
Star Lock	MF-05-430-24	MF-05-530-24
Disc Tumbler Lock	MF-05-450-24	MF-05-550-24

Accessories	Part Number
Oval Spacer	MF-92-400-24
Square Spacer	MF-92-500-24
Mounting Tool	MF-90-400-10

\* Two grip friendly overmolded keys and a keeper supplied.

For spare keys please contact Southco







# MF Flush Entry Door Lock

Dimensions in millimeters (inch) unless otherwise stated

- Allows for 100 - 150mm (4" - 6") more door travel than traditional sliding-door lock styles
- Safety lock prevents the door from being locked from the inside.  
To activate: turn key clockwise and remove
- Shipped with striker and two keys
- Locks can be matched to other **SOUTHCO®** deck latches.  
Contact Southco for more information

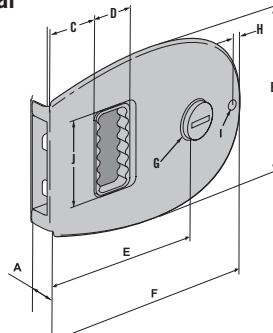
### Material and Finish:

Stainless Steel, Aluminum anodized, Black anodized or White powdercoat.  
Shape: Oval or rectangular design.

### Available Options:

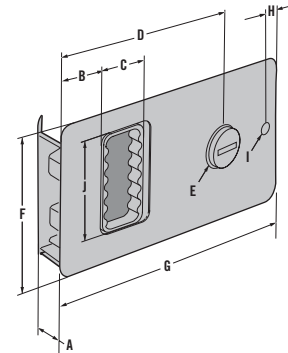
Sealing: Weatherproof and watertight seals.

### Flush Oval



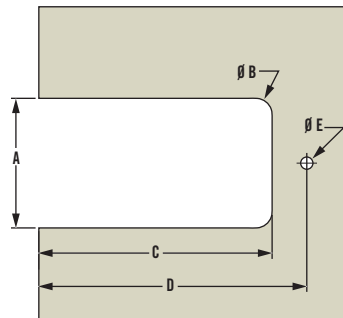
	Imperial		Metric
	Nominal	Decimal	
A	1/2	.50	12.7
B	3 7/8	3.88	98.5
C	49/64	.77	19.5
D	49/64	.77	19.6
E	3 3/4	3.74	95
F	5 53/64	5.83	148
G	53/64	.83	21
H	33/64	.51	13
I	13/64	.2	5
J	1 3/4	1.75	44.5

### Flush



	Imperial		Metric
	Nominal	Decimal	
A	1/2	.50	12.7
B	1 1/8	1.12	28.5
C	25/32	.77	20
D	3 49/64	3.76	95.5
E	53/64	.83	21
F	2 7/8	2.88	73
G	5 9/32	5.28	134
H	21/64	.34	8.5
I	15/64	.24	6
J	1 3/4	1.75	44.5

### Panel Preparation



### Flush Square

	Imperial		Metric
	Nominal	Decimal	
A	2 1/2	2.5	63.5
B	5/8	.63	16
C	4 1/2	4.5	114
D	4 61/64	4.95	125.7
E	1/4	.25	6.4

### Flush Oval

	Imperial		Metric
	Nominal	Decimal	
A	2 1/2	2.5	63.5
B	5/8	.63	16
C	4 1/2	4.5	114
D	5 5/16	5.31	135
E	1/4	.25	6.35

Flush Part Numbers					
Style	Aluminum	Stainless steel	Black	White	Oval
	Standard	MF-01-110-60	MF-01-110-24	MF-01-110-50	MF-01-110-70
Weather Proof	MF-02-110-60	MF-02-110-24	MF-02-110-50	MF-02-110-70	MF-02-310-24
Watertight	MF-03-110-60	MF-03-110-24	MF-03-110-50	MF-03-110-70	MF-03-310-24

Other options available. For complete details on variety, part numbers, installation and specification, go to

[www.southco.com/MF](http://www.southco.com/MF)



Request Info



1-800-453-1692

[www.aboveboardelectronics.com](http://www.aboveboardelectronics.com)

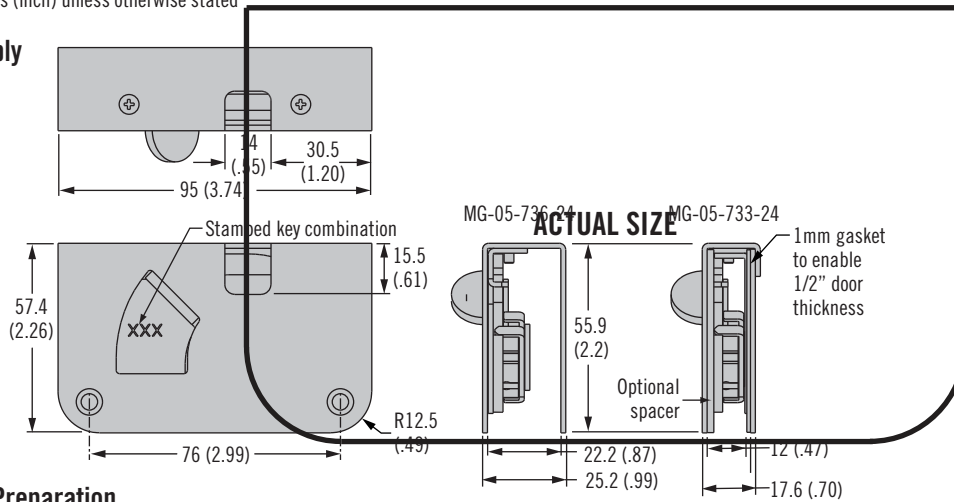


# MG Star Sailor Entry Door Lock

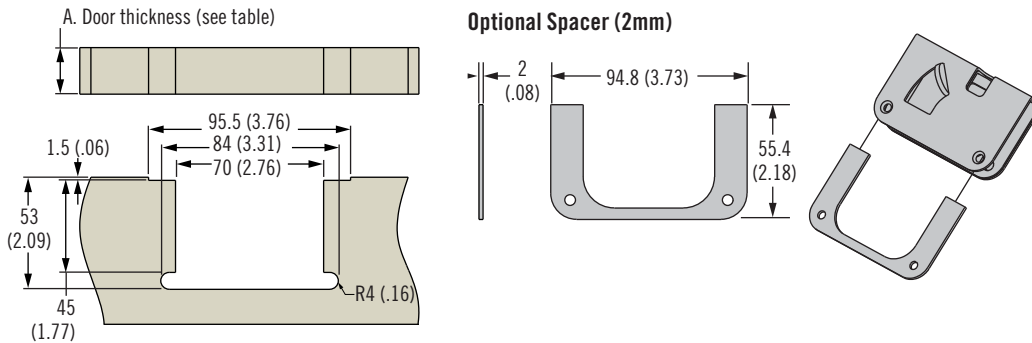


Dimensions in millimeters (inch) unless otherwise stated

### Assembly



### Panel Preparation



- Suitable for 12mm and 22mm entry door thicknesses
- Provide high-end security with the Star Key Lock system's three-axis six-pin tumbler design

### Material and Finish

Lock Case: Stainless Steel  
 Star Plug: Brass  
 Spring: 316 Stainless Steel  
 Screws: 316 Stainless Steel

### Part Number: MG-05-115

Use with MG-05-733-24 to enable 10mm Door thickness  
 Use with MG-05-736-24 to enable 20mm Door thickness

### Strikers - Accessories

Day key, black (for secure only)		MF-96-XXX-41
Striker, anodized aluminum		MG-90-102-60
Striker, anodized black		MG-90-102-50
Eyelet striker, stainless steel		MG-90-103-24
Eyelet striker, offcenter, stainless steel		MG-90-104-24
Spacer for 10mm (3/8") door thickness		MG-92-100-50
P-striker, anodized aluminum		MG-90-105-50
P-striker, anodized, black		MG-90-105-61

### Assembly

**MG - 05 - 73 C - 24**

**C** Door Thickness (A) ←  
 3 12mm (.5)  
 6 22mm (.86)

### Part Number Selection

#### Notes

Latch and striker are ordered separately. Please see Striker - Accessories table for options

Other options available. For complete details on variety, part numbers, installation and specification, go to





# MG Secure Entry Door Lock

- Offered in all corrosion-resistant materials, including Polyamide, Stainless Steel, and Brass
- Outside keylocking with interior sliding privacy lock
- Supplied with striker and two keys

## Material and Finish:

Finish: White or black polyamide case

## Accessories:

Locking: Optional black day key available.

Spacer: Optional spacer available to accept a 10mm (3/8") door thickness.

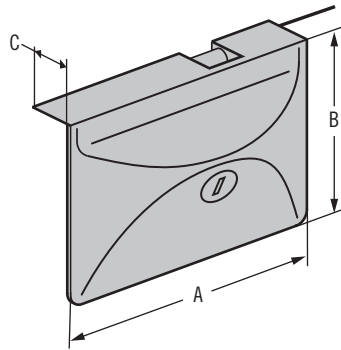
Striker: Numerous strikers available in clear or black anodized aluminum or stainless steel.

For spare keys please contact Southco

## Notes

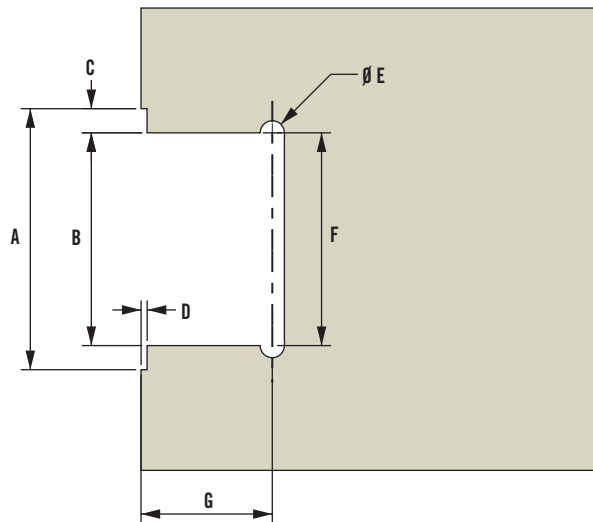
For additional striker options and accessories please see page 537

Dimensions in millimeters (inch) unless otherwise stated



	Imperial		Metric
	Nominal	Decimal	
<b>A</b>	3 27/64	3.43	87
<b>B</b>	2 11/64	2.17	55
<b>C</b>	15/32	.47	12

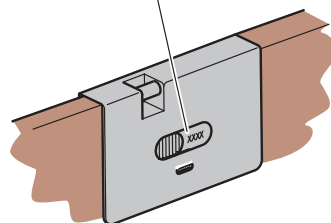
## Panel Preparations



	Imperial		Metric
	Nominal	Decimal	
<b>A</b>	3 13/32	3.41	86.5
<b>B</b>	2 25/32	2.78	70.5
<b>C</b>	15/16	.32	8
<b>D</b>	5/64	.08	2
<b>E</b>	5/16	.31	8
<b>F</b>	2 27/32	2.84	72
<b>G</b>	1 23/32	1.71	43.5

How to determine your key combination

Key # for ordering sparekey starting with 8\_\_ or 9\_\_



## Secure Part Numbers

	Black	White
With P-striker and two keys	MG-01-110-50	MG-01-110-70

Other options available. For complete details on variety, part numbers, installation and specification, go to

[www.southco.com/MG](http://www.southco.com/MG)

**ADE**  
Above Board Electronics, Inc.

Request Info



1-800-453-1692

[www.aboveboardelectronics.com](http://www.aboveboardelectronics.com)

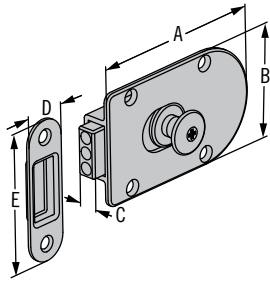
# M5 Transom Door Latches

## Stainless Steel

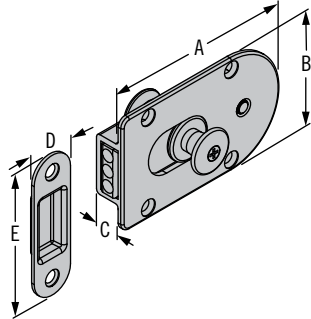


Dimensions in millimeters (inch) unless otherwise stated

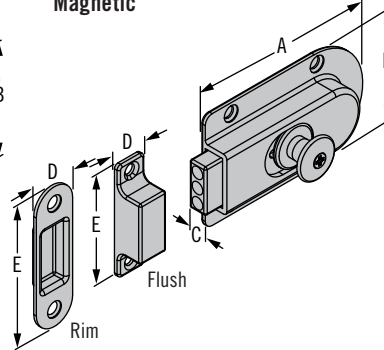
**Transom Door Latch Magnetic**



**Double Knob Transom Door Latch Magnetic (with lock)**



**Oval Single Side Transom Door Latch Magnetic**



**All latches feature:**

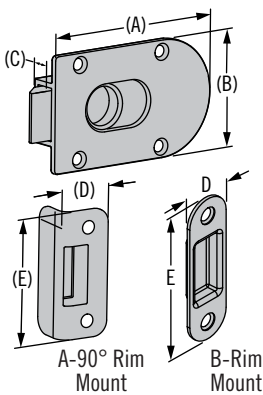
- Designed for 12mm (1/2") doors
- Features an adjustable slide bolt
- Comes with striker (magnetic)
- Screws not included
- Locking and Non-locking versions

**Material and Finish**

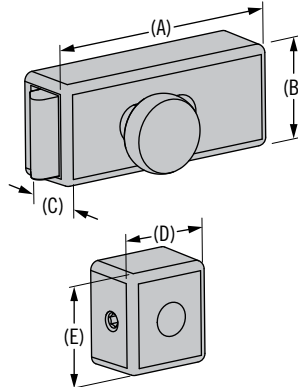
Housing: 316 Stainless steel

Name	Part Number	Striker Part Number	(A) mm (inch)	(B) mm (inch)	(C) mm (inch)	(D) mm (inch)	(E) mm (inch)
Transom door latch magnetic	M5-60-101-8 (non-locking)	M5-C-305-8	90 (3.50)	55 (2.19)	9.3 (.38)	21 (.88)	70 (2.75)
	M5-60-111-8 (locking)						
Double knob transom door latch - magnetic (with lock)	M5-60-152-8	M5-C-305-8	91 (3.56)	56 (2.22)	9 (.34)	21 (.88)	70 (2.75)
Oval single side transom door latch - magnetic	M5-60-201-8	M5-C-801-8 (Flush striker)	91 (3.56)	56 (2.22)	9 (.34)	15 (.63)	70 (2.75)
	M5-60-305-8	M5-C-305-8 (Rim striker)				21 (.88)	

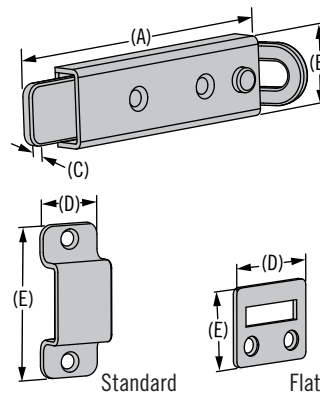
**Transom Latch Spring Bolt (flush)**



**Transom Latch Spring Bolt (surface)**



**Transom Latch Spring Bolt - Heavy Duty**



	Part Number	Model	A	B	C	D	E
Transom Latch Spring Bolt (flush)	M5-60-302-8	Single side	91 (3.63)	56 (2.25)	9 (.38)	x	x
	M5-60-309-8	Double side	91 (3.63)	56 (2.25)	9 (.38)	x	x
Strikers	M5-C-301-8	A	x	x	x	22 (.87)	56 (2.25)
	M5-C-304-8	B				22 (.87)	70 (2.25)
Transom Latch Spring Bolt (surface)	M5-60-451-8	Striker included	72 (2.75)	30 (1.19)	20 (.75)	27 (1.06)	30 (1.19)
Transom Latch Spring Bolt Heavy Duty	M5-60-205-24	Flat	137 (5.41)	32 (1.25)	5 (.19)	38 (1.5)	32 (1.25)
	M5-60-206-24	Standard				25 (.98)	60 (2.36)

Other options available. For complete details on variety, part numbers, installation and specification, go to

[www.southco.com/M5](http://www.southco.com/M5)

