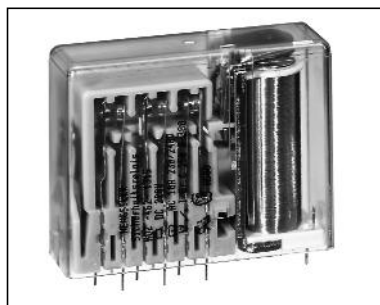


Safety Relay H-462



General

- 4 or 6 contacts
- Forced guided contact set
- According to EN 50205, application type A
- Ambient temperature -25 ... +80 °C
- Soldering heat resistance 260 °C/5s
- RoHS compliance
- Signal relay according to UIC 736e

Connections

- Soldering pins for PCB, pre-soldered

Drive

- Direct current or AC-current
- Current controlled or bistable upon request

Approvals

- cULus • TÜV

Standards

- EN 50205 • IEC 61810-1 • UL 508

Technical Data mechanical

Dimensions L x W x H (in mm)	Size 1: 57,8 x 20,5 x 48,6 Size 2: 67,4 x 20,5 x 48,6
Shock resistance NO-contact/NC-contact	10/10 g, 16 ms Half sinus
Vibration resistance NO-contact/NC-contact	10/10 g, 10 – 55 Hz
Operating time NC-contact, contact opens	typical 17 ms
Operating time NO-contact, contact closes	typical 23 ms
Releasing time NO-contact, contact opens	typical 5 ms
Releasing time NC-contact, contact closes	typical 7 ms
Mechanical service life (without load)	>10 ⁷ cycles
Weight	Size 1: 90 g Size 2: 115 g

Technical Data electrical

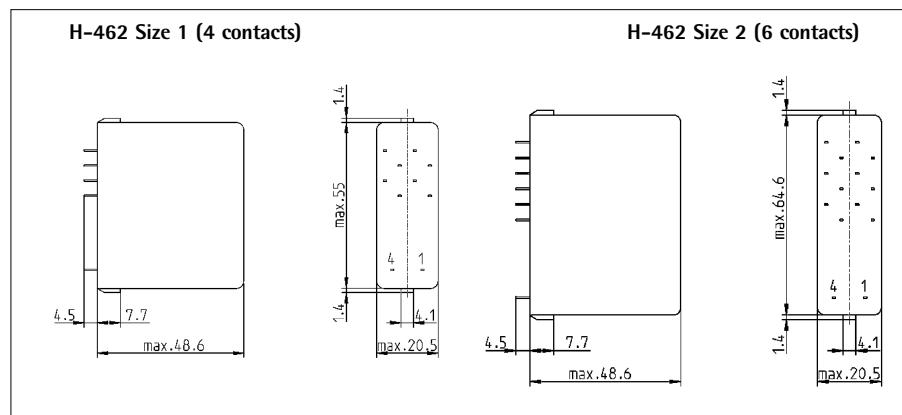
Max. switching capacity	AC 2.000 VA, DC *W
Max. switching voltage	AC 230/240 V, DC *V
Max. switching current NO-contact	10 A
Constant current I _{th2}	10 A for deliveries from 2008 on:
Constant current I _{th2} at the same time over 2 contacts	10,0 A 10,0 A
Constant current I _{th2} at the same time over 3 contacts	8,4 A 10,0 A
Constant current I _{th2} at the same time over 4 contacts	7,3 A 10,0 A
Switching capacity NO-contact AC-15 230/240 V	I _e = 4 A
DC-13 24 V	I _e = 2 A
Electrical service life (with nominal load)	>10 ⁵ cycles
Short-circuit capacity 1.000 A/AC 230 V	10 A gL/gG-fuse
* see DC-switching capacity	

Insulation

Over voltage category (Ü) III	B-I = Basic insulation
Degree of pollution (V) 2	V-I = Reinforced (double) insulation
Insulating material group II	

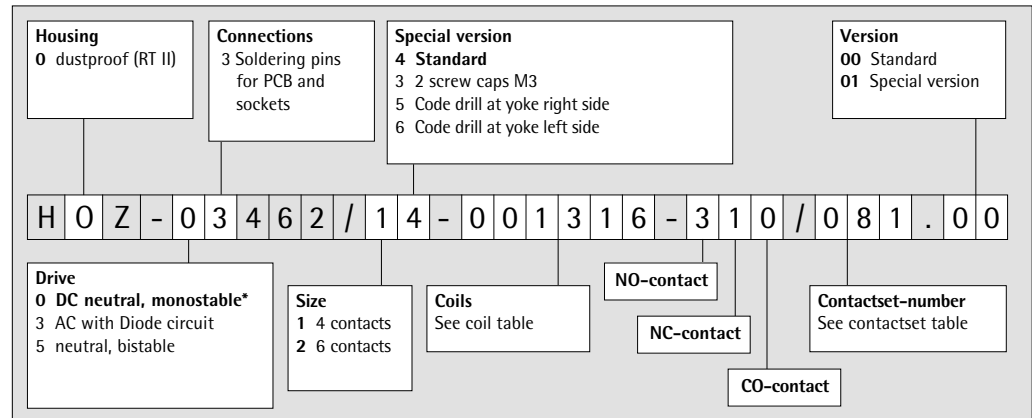
Insulation between	Nominal voltage network system		Air-/creeping distance	Test voltage 50Hz/60 s
	AC 120/240 V	AC 230/400 V		
Contact - Contact	V-I	B-I	> 3 mm	AC 2.500 V
Contactset - Drive	V-I	B-I	> 3 mm	AC 2.500 V

Dimensions



Safety Relay H-462

Type key



* Preferred version

Contactset table

Number of contacts NO/NC/CO-contacts	AgCdO +0,2 µm Au	AgCdO +5 µm Au	AgCdO +10 µm Au	AgSnO ₂ +0,2 µm Au	AgSnO ₂ +5 µm A	Contact material
220	080	082	061	088	092	Contactset number
310	079	081	059	087	091	
330	077	084	057	085	090	
420	078	083	055	086	089	

All values at ambient temperature $T_u = 20\text{ °C}$

DC-Coil table

Number of contacts
310
220

Coil-No.	Resistance R/Ω	Resistance- tolerance±	U ₁ /V	U ₂ /V	U ₃ /V	U _{rück} /V	Printing U _{nom} /V
1228	33	5%	3,4	11,6	11	0,8	6
1323	110	6%	6,2	21,2	19	1,4	12
1316	480	8%	13,9	43,9	42	3,0	24
1312	1.700	7%	27,3	82,9	83	5,9	48
1311	2.700	7%	34,4	104,4	104	7,4	60
1306	10.000	9%	69,8	199,7	205	14,7	110
1303	40.000	12%	139,8	395,0	394	28,2	220

All values at ambient temperature $T_u = 20\text{ °C}$

Number of contacts
420

Coil-No.	Resistance R/Ω	Resistance- tolerance ±	U ₁ /V	U ₂ /V	U ₃ /V	U _{rück} /V	Printing U _{nom} /V
1228	33	5%	3,7	11,6	11	0,8	6
1323	110	6%	6,9	21,2	19	1,4	12
1316	480	8%	15,5	43,9	42	3,0	24
1312	1.700	7%	30,3	82,9	83	5,9	48
1311	2.700	7%	38,2	104,4	104	7,4	60
1306	10.000	9%	77,8	199,7	205	14,7	110
1303	40.000	12%	155,7	395,0	394	28,2	220

U₁: Minimum operating voltage with consideration of coil self heating
 U₂: Thermal restricted maximum coil voltage
 U₃: Maximum admissible coil voltage to realize a contact gap of > 0.5 mm also at a contact fault
 U_{rück}: Releasing voltage

Further coils are possible and available

Safety Relay H-462

All values at ambient temperature $T_u = 20\text{ °C}$

DC-Coil table
Number of contacts
330

Coil-No.	Resistance R/ Ω	Resistance- tolerance \pm	U_1/V	U_2/V	U_3/V	$U_{rück}/V$	Printing U_{nom}/V
1228	33	5%	4,1	11,6	11	0,8	6
1323	110	6%	7,6	21,2	19	1,4	12
1316	480	8%	17,1	43,9	42	3,0	24
1312	1.700	7%	33,5	82,9	83	5,9	48
1268	2.650	7%	39,5	103,5	98	7,0	60
1306	10.000	9%	86,0	199,7	205	14,7	110
1303	40.000	12%	172,2	395,0	394	28,2	220

U_1 : Minimum operating voltage with consideration of coil self heating
 U_2 : Thermal restricted maximum coil voltage
 U_3 : Maximum admissible coil voltage to realize a contact gap of > 0.5 mm also at a contact fault
 $U_{rück}$: Releasing voltage

Further coils are possible and available

All values at ambient temperature $T_u = 20\text{ °C}$

AC-Coil table
Number of contacts
220
310
330
420

Coil-No.	Resistance R/ Ω	Resistance- tolerance \pm	U_{min}/V	U_{max}/V	Printing U_{nom}/V
1128	30	10%	9,6	13,2	12
1323	110	10%	19,2	26,4	24
1316	480	10%	38,4	52,8	48
1514	750	10%	48,0	66,0	60
1311	7.200	15%	88,0	121,0	110/115
1306	10.000	15%	176,0	242,0	220/230

Further coils are possible and available

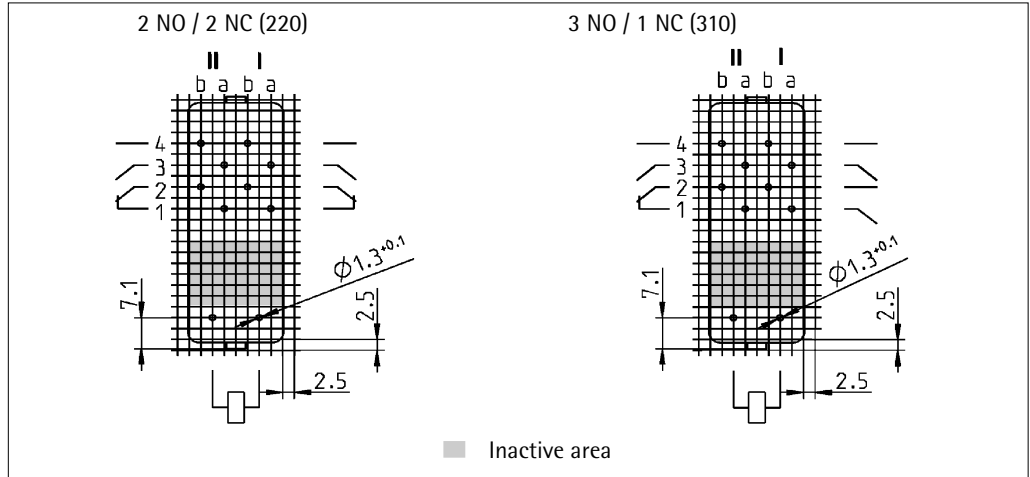
Running types

Article-No.	Type key	Printing U_{nom}	U_1/V	U_2/V	U_3/V	$U_{rück}/V$
462-1026	HOZ-03462/14-001316-220/080.00	DC 24 V	13,9	43,9	42	3,0
462-1027	HOZ-03462/14-001316-310/079.00	DC 24 V	13,9	43,9	42	3,0
462-1045	HOZ-03462/24-001316-330/077.00	DC 24 V	17,1	43,9	42	3,0
462-1140	HOZ-03462/14-001323-310/079.00	DC 12 V	6,2	21,2	19	1,4
462-1210	HOZ-03462/24-001316-420/078.00	DC 24 V	15,5	43,9	42	3,0
462-1312	HOZ-03462/24-001316-330/084.00	DC 24 V	17,1	43,9	42	3,0
462-1320	HOZ-03462/14-001316-310/081.00	DC 24 V	13,9	43,9	42	3,0
462-1326	HOZ-03462/14-001323-220/082.00	DC 12 V	6,2	21,2	19	1,4
462-1328	HOZ-03462/14-001312-220/082.00	DC 48 V	27,3	82,9	83	5,9
462-1333	HOZ-03462/24-001323-420/083.00	DC 12 V	6,9	21,2	19	1,4
462-1334	HOZ-03462/24-001316-420/083.00	DC 24 V	15,5	43,9	42	3,0
462-1342	HOZ-03462/24-001312-330/084.00	DC 48 V	33,5	82,9	83	5,9

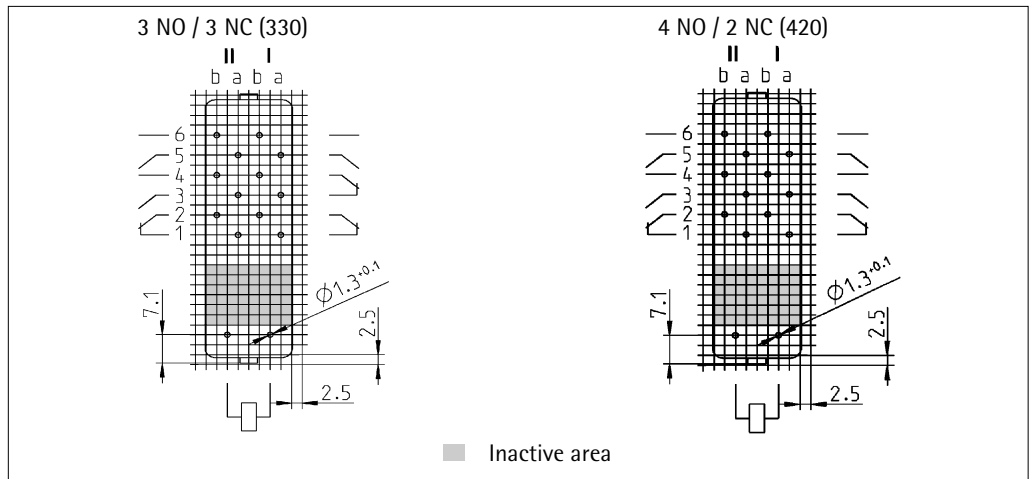
Safety Relay H-462

Connection grid
View on soldering side

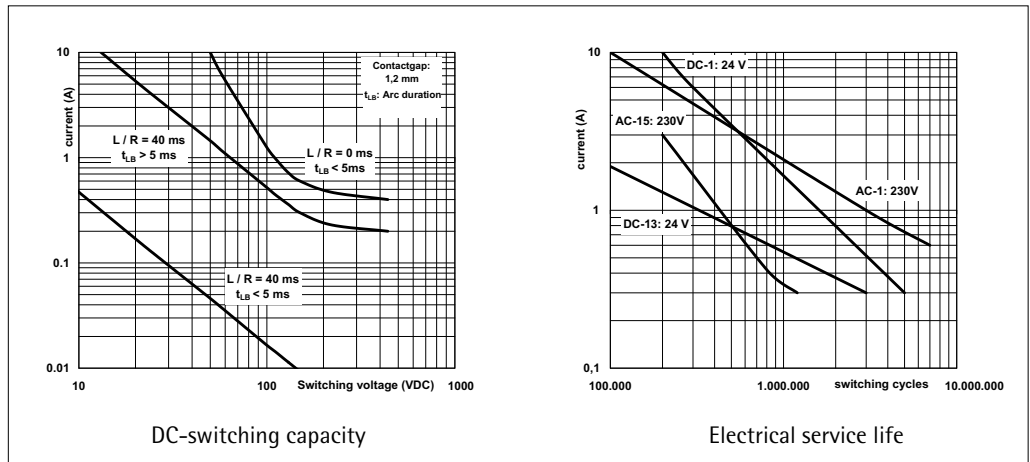
Size 1



Size 2

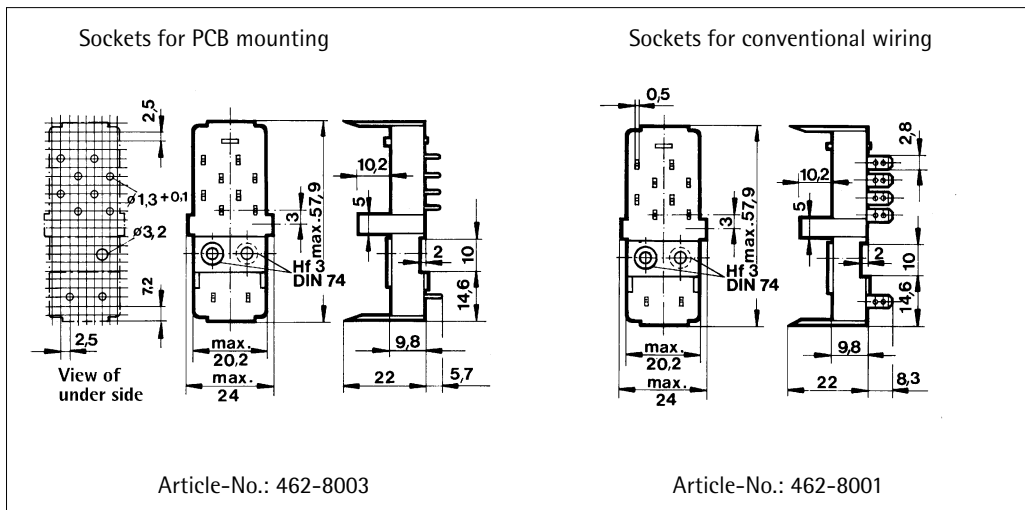
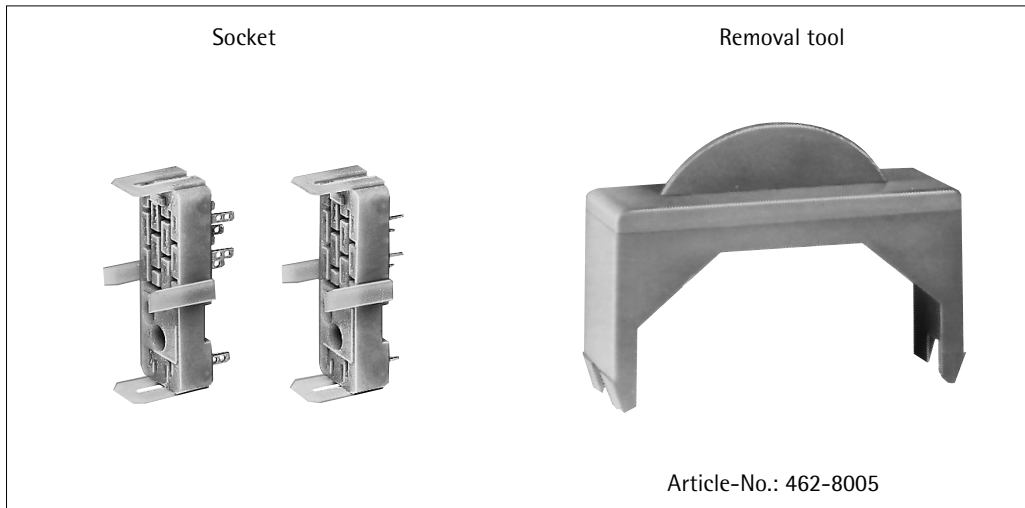


Diagram

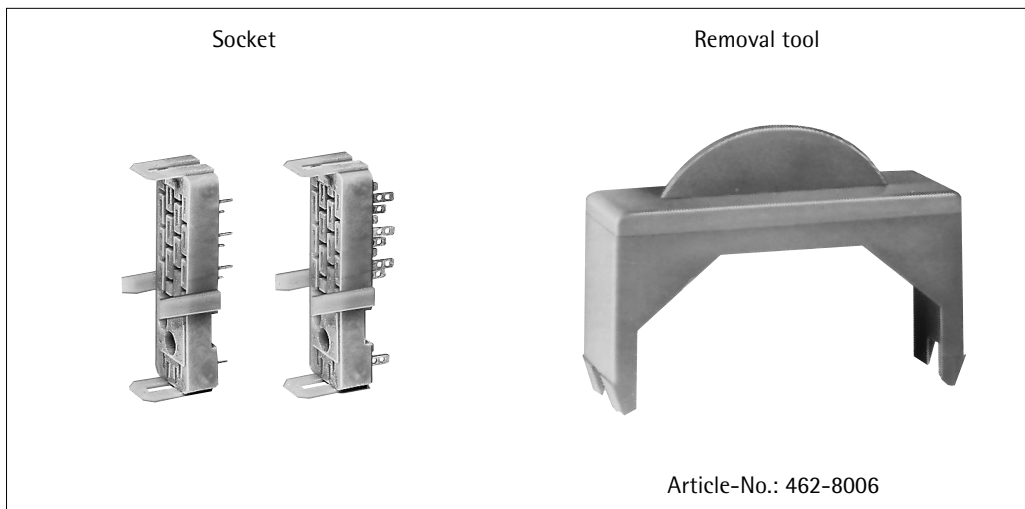


Safety Relays H-462

Accessories
H-462/1
(4 contacts)



H-462/2
(6 contacts)



Safety Relay H-462

Accessories
H-462/2
(6 contacts)

