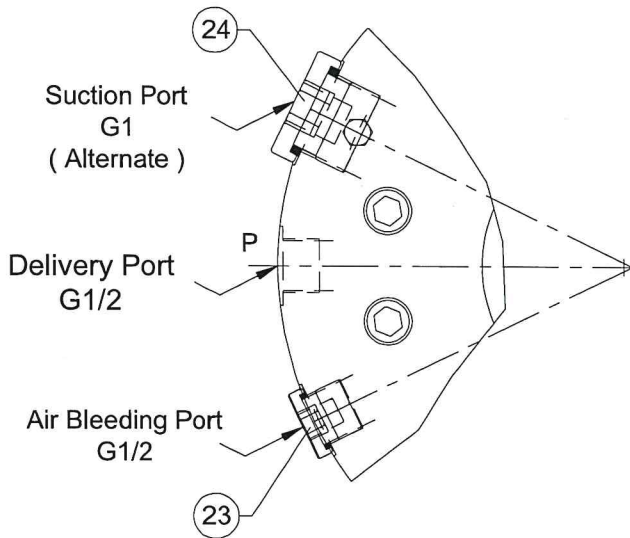
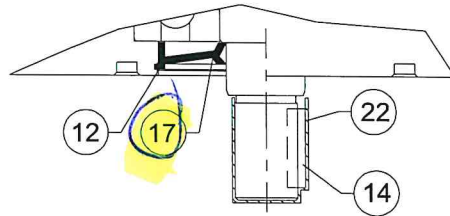
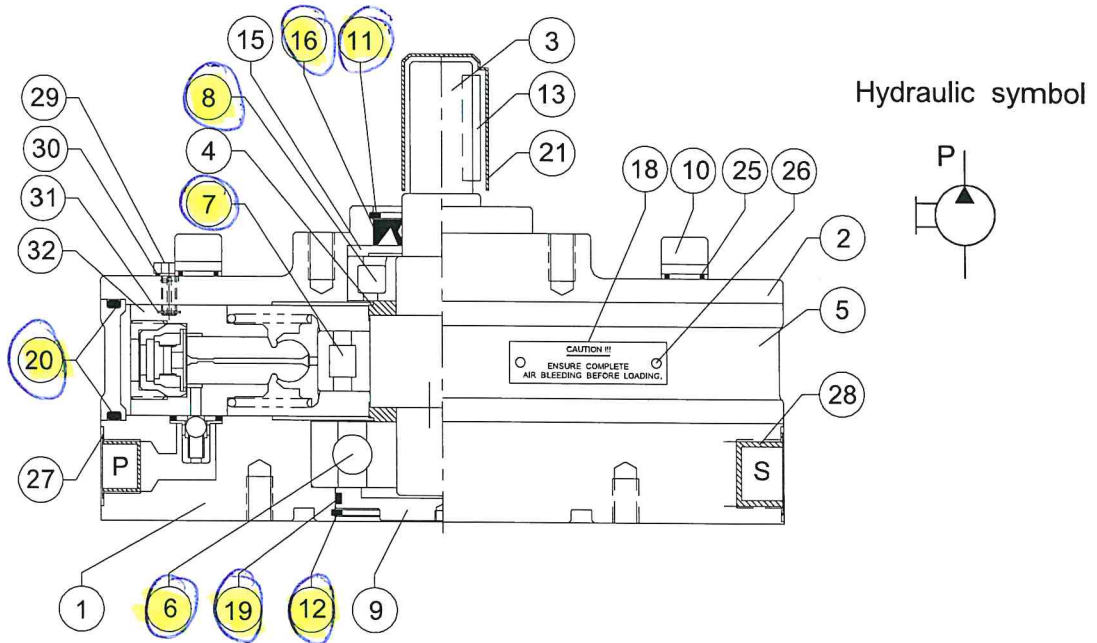


Sectional view & Parts Detail



Note :-

Specified part numbers are available as spares.
* Recommended seal kit.



RADIAL PISTON PUMP
11RC

ENGINEERING

6

Ref. No. P09206

Sectional view & Parts Detail

Sl.No.	Description	11RC 5/7	11RCE 5/7	Size	Qty.
		Part No.	Part No.		
1	Valve plate	12202 / 12204	12202 / 12204		1
2	Cover plate	12222 / 12224	12222 / 12224		1
3	Shaft	12241	12242		1
4	Balancing Plate	12251			2
5	Casing Ring	12231			1
6	Bottom Bearing	12261		KOYO 6407	1
7	Centre Bearing.	12262		NUP 2206	1
8	Top Bearing.	12263		NJ 207	1
9	End cap	12253	---	Ø82	1
10	Cap screw	12264		M12x70 L	10/14
11	Circlip	12272		Ø52 (Type B)	1
12	Circlip	12273		Ø82 (Type B)	1
13	Shaft Key	12277		8x7x40	1
14	Shaft Key	---	12278	8x7x30	1
15	Washer	12281			1
16	Rotary shaft seal	12266		Dou.Lip 52	1
17	Rotary shaft seal	---	12267	Dou.Lip 82	1
18	Label (Caution)	12269		4P 05613	1
19	O' Ring	12274	---	76x3	1
20	O' Ring	12276		246x4	2
21	Plastic cap	12270		11R	1
22	Plastic cap	---	12271	11RE(Shaft)	1
23	Elastomeric Plug	00204		G 1/2	1
24	Elastomeric Plug	00205		G 3/4	1
25	Bonded Seal	00165		M12	10/14
26	Rivet	00001		Ø2, 4.5 L	2
27	Rubber Port Plug	00011		G 1/2 Plug Cap	1
28	Rubber Port Plug	00012		G 3/4 Plug Cap	1
29	Hex Plug	11299		M6x16	1
30	Copper washer	11297		Ø6.5xØ9.5x1	1
31	External Circlip	00065		Dia. 4 Nom.	1
Sl.No.	Description	Product		Qty.	
32	Pump element assly. (Refer Data Sheet No. A 12100)	11R-A-01 11R-B-01 11R-C-01		5 / 7	

All rights reserved.
Subject to revision.