

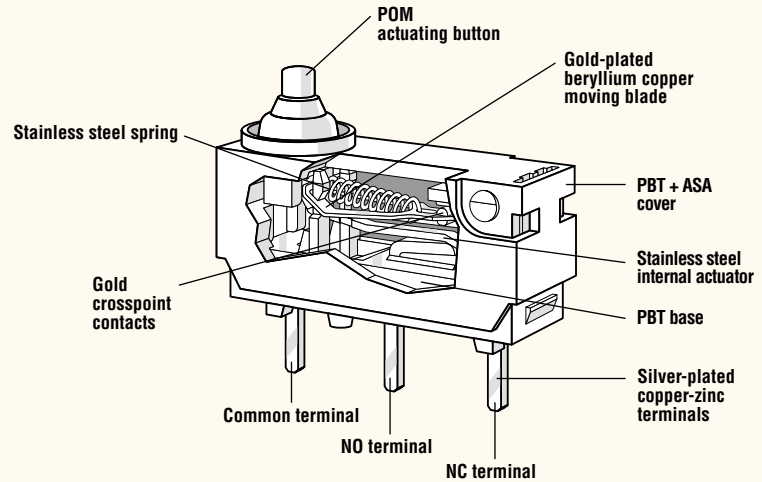
## SUBMINIATURE SNAP SWITCH - SEALED

# DK Series



### Features

- Enclosed switch complying with IP 6K5. IP 6K7 available on request
- Very small dimensions, 0.579" x 0.213" x 0.268" (14.7mm x 5.4mm x 6.8mm)
- Models available for operating temperatures up to 105°C
- Rated for 5mA@12VDC or 2A@12VDC
- Can be actuated vertically or by auxiliary actuator
- Gold crosspoint contacts for high contact stability
- Mechanical life: min. 500,000 operations
- Wide variety of connection options, also available with leads



### Specifications

#### Electrical

Temperature Rating:	-40°C to +85°C
Flammability Rating:	N/A

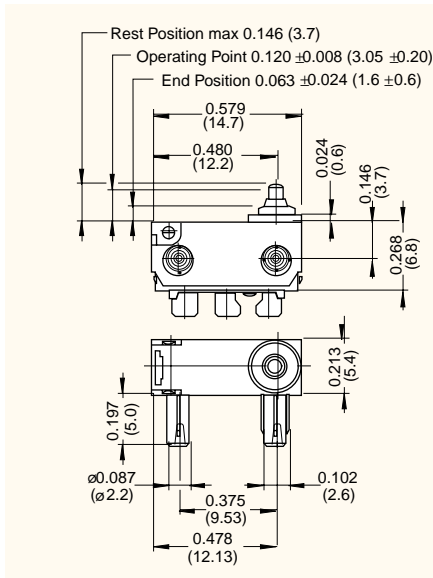
#### Materials

Base:	PBT
Cover:	PBT + ASA
Actuator:	POM (+85°C)
Auxiliary Actuator:	Stainless Steel
Internal Actuator:	Stainless Steel
Spring:	Stainless Steel
Moving Blade:	Gold-Plated Beryllium Copper
Terminals:	Silver-Plated Copper-Zinc
Contacts:	Gold Crosspoint
Gasket:	Silicon

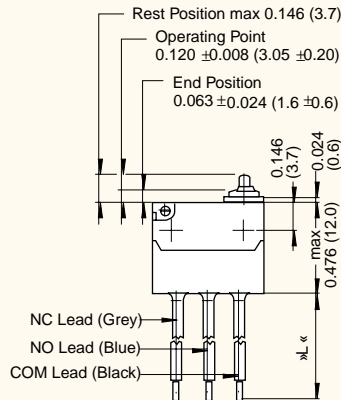
ASA = Acrylonitrile-styrene-acrylicester • PBT = Polybutyleneterephthalate • POM = Polyacetal



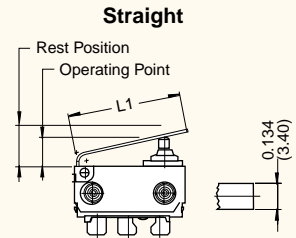
**Dimensions** inches (mm)



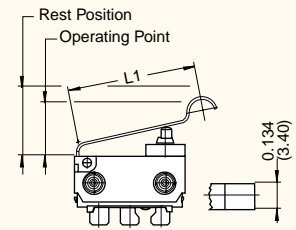
**DK Sub-miniature Switch with Leads (IP6K7 Compliant)**



**Auxiliary Actuators** inches (mm)

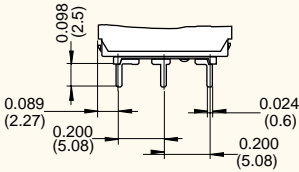


**Simulated Roller**

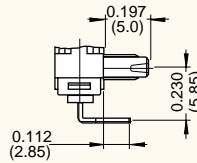


**Terminal Options** inches (mm)

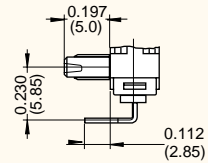
**PCB Terminals Straight**  
0.024 x 0.020 (0.6 x 0.5)



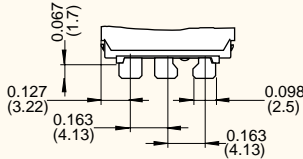
**PCB Terminals RH Side with Location Pins**  
0.024 x 0.020 (0.6 x 0.5)



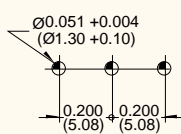
**PCB Terminals LH Side with Location Pins**  
0.024 x 0.020 (0.6 x 0.5)



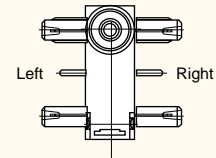
**Solder Terminals**  
0.098 x 0.020 (2.5 x 0.5)



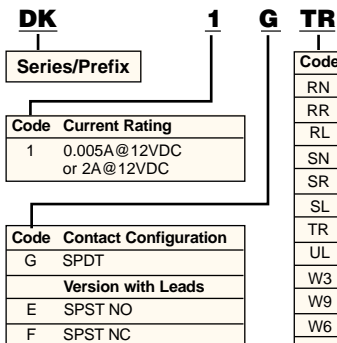
**Drilling Patterns for PCB Terminals (Side and Underside)**  
0.024 x 0.020 (0.6 x 0.5)



**Top-down View of Lateral Terminals**



**Ordering Information**



Code	Terminal Type	inches (mm)
RN	0.098 x 0.020 (2.5 x 0.5) Solder, Straight w/o Pins	
RR	0.098 x 0.020 (2.5 x 0.5) Solder, Straight with RH Pins	
RL	0.098 x 0.020 (2.5 x 0.5) Solder, Straight with LH Pins	
SN	0.024 x 0.020 (0.6 x 0.5) PCB, Straight w/o Pins	
SR	0.024 x 0.020 (0.6 x 0.5) PCB, Straight with RH Pins	
SL	0.024 x 0.020 (0.6 x 0.5) PCB, Straight with LH Pins	
TR	0.024 x 0.020 (0.6 x 0.5) PCB, RH Side with RH Pins	
UL	0.024 x 0.020 (0.6 x 0.5) PCB, LH Side with LH Pins	
W3	9.843 (250) Leads 0.014 <sup>2</sup> (0.35 <sup>2</sup> ) to Underside w/o Pins	
W9	9.843 (250) Leads 0.014 <sup>2</sup> (0.35 <sup>2</sup> ) to Underside with RH Pins	
W6	9.843 (250) Leads 0.014 <sup>2</sup> (0.35 <sup>2</sup> ) to Underside with LH Pins	
Z3	19.685 (500) Leads 0.014 <sup>2</sup> (0.35 <sup>2</sup> ) to Underside w/o Pins	
Z9	19.685 (500) Leads 0.014 <sup>2</sup> (0.35 <sup>2</sup> ) to Underside with RH Pins	
Z6	19.685 (500) Leads 0.014 <sup>2</sup> (0.35 <sup>2</sup> ) to Underside with LH Pins	

Code	Actuator Type
A0	Without Auxiliary Actuator
D1	Straight Spring-Loaded Auxiliary Actuator
E1	Simulated Roller, Spring-Loaded

