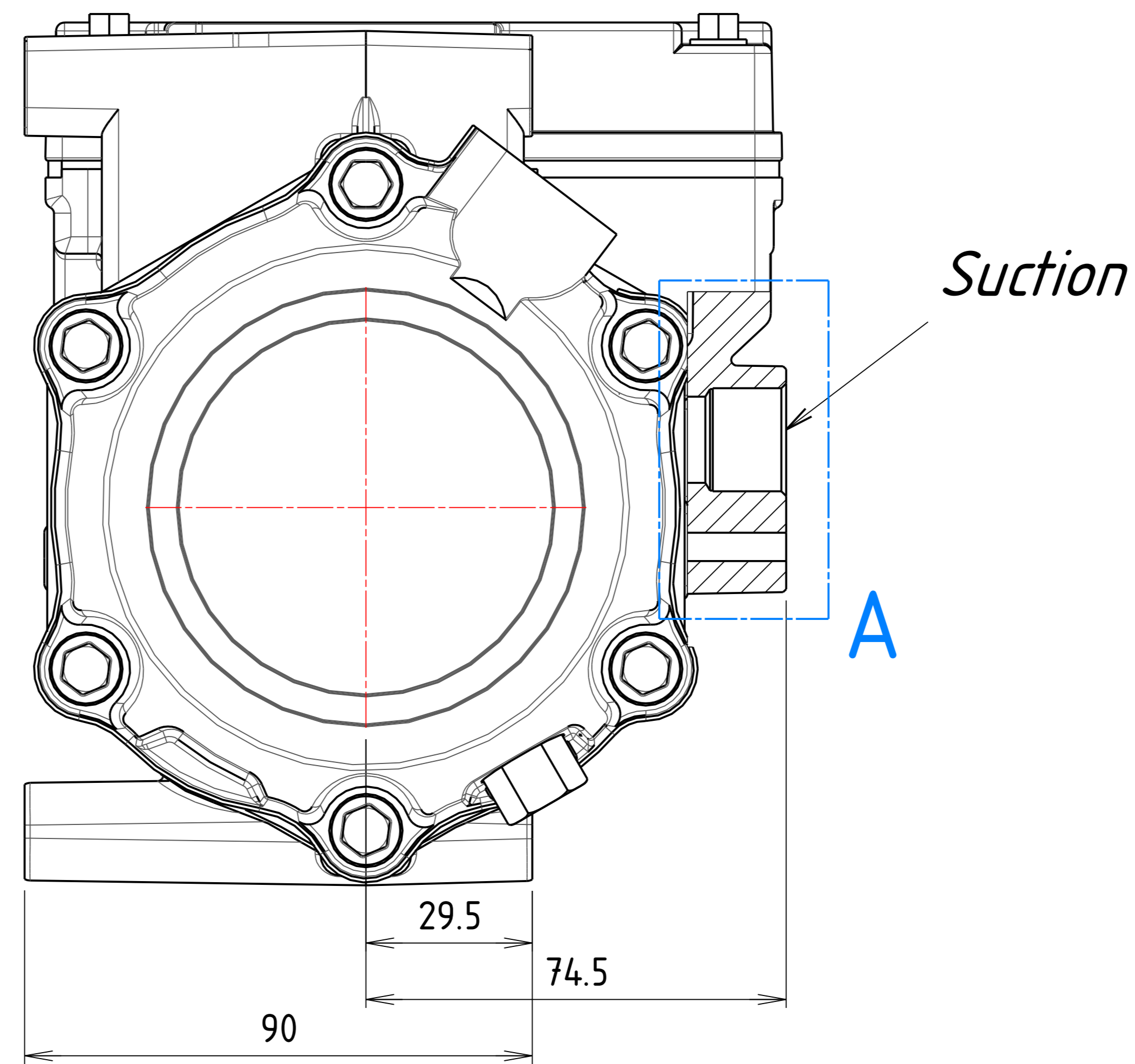
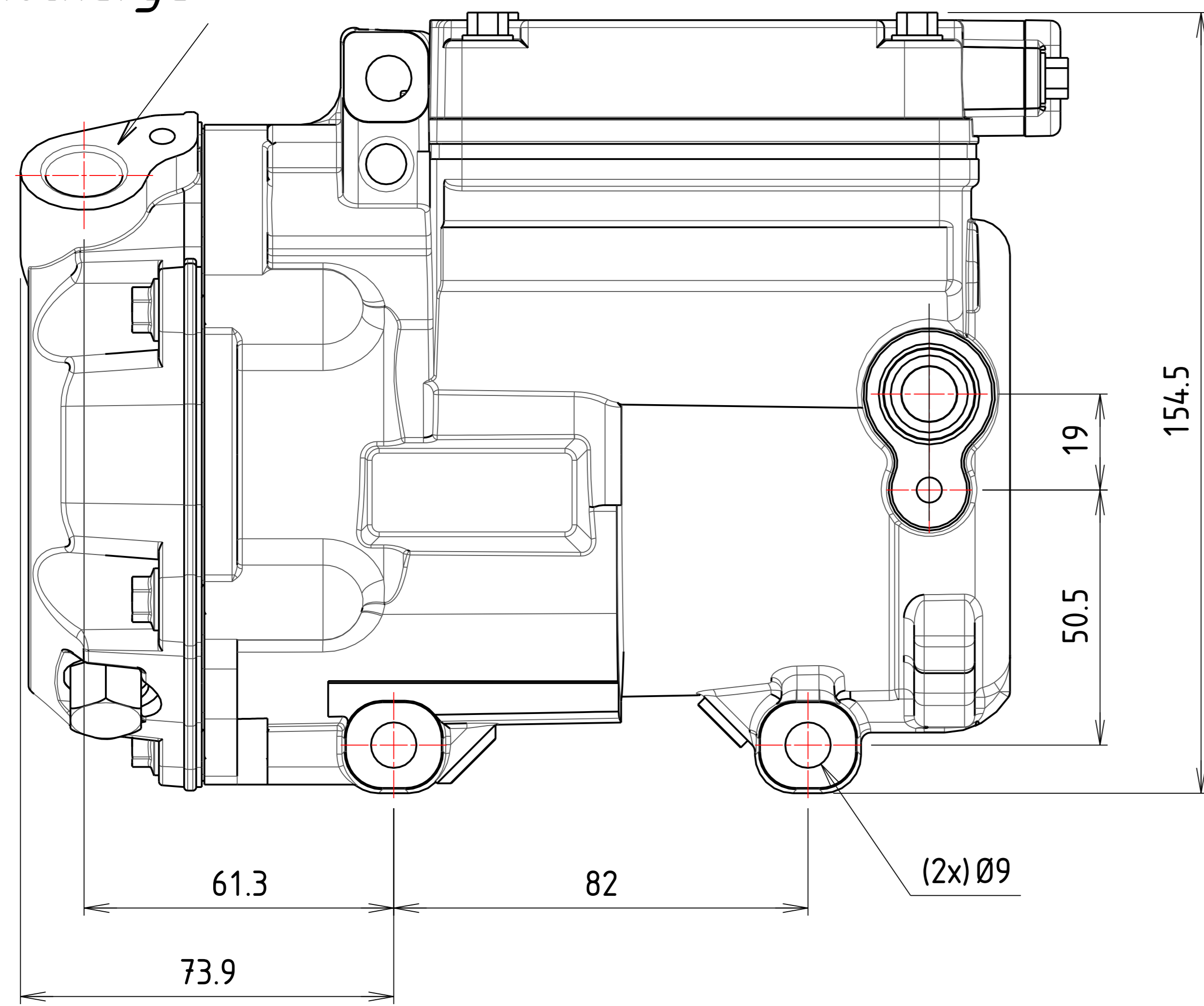


H G F E D C B A

Discharge

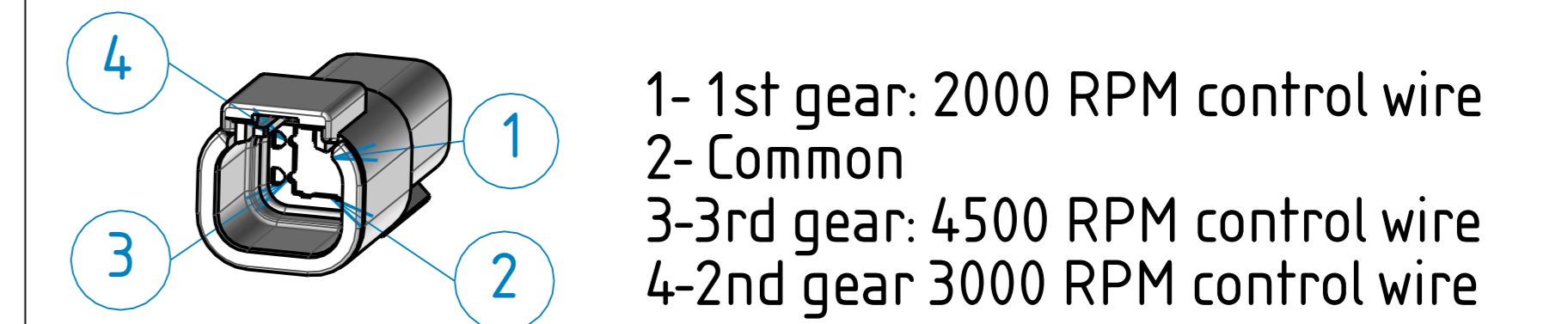


Suction

A

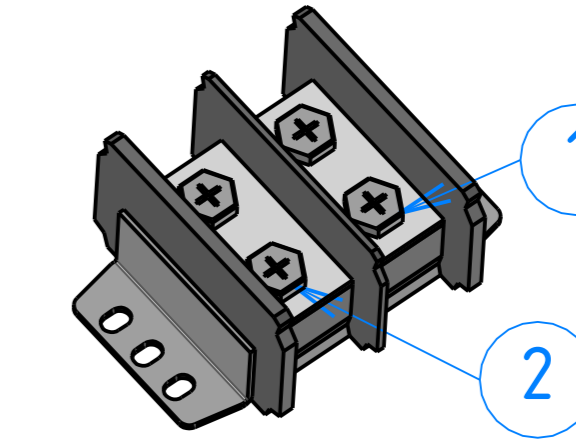
Electric connexion

Signal connector - Deutsch DTM04-4P



- 1- 1st gear: 2000 RPM control wire
- 2- Common
- 3- 3rd gear: 4500 RPM control wire
- 4- 2nd gear 3000 RPM control wire

Power connector - 2x Tabs ring M8



- 1- 12V DC positive pole
- 2- 12V DC negative pole

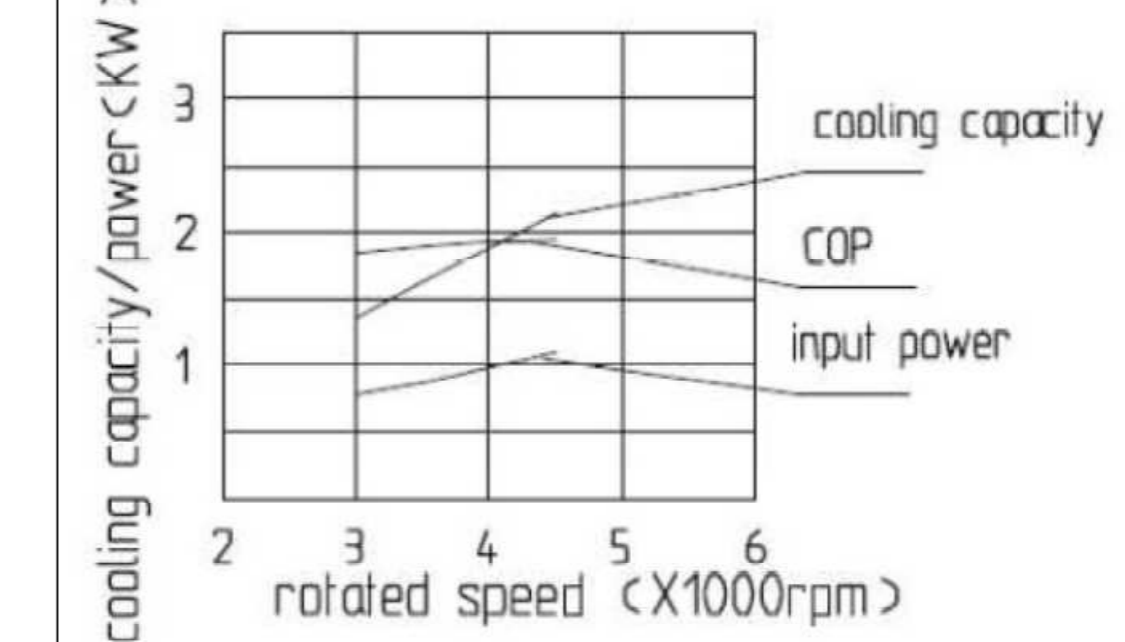
Compressor parameters

Oil	FVC 68D 100ml
Refrigerant	R134a
Rotation speed	2000-3000-4500 RPM
Voltage range	DC 10V-16V
Working T°	-30°C / 100°C

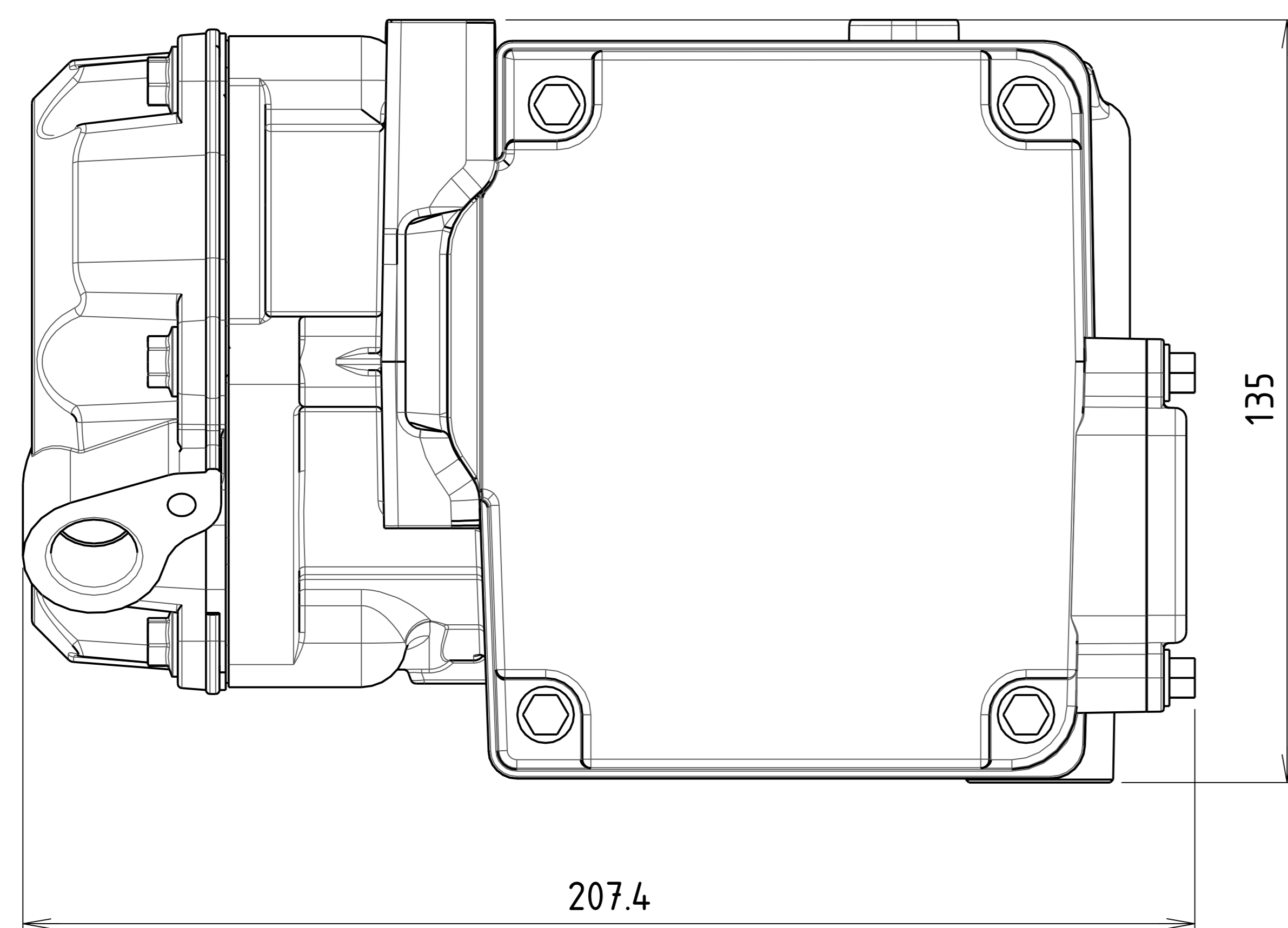
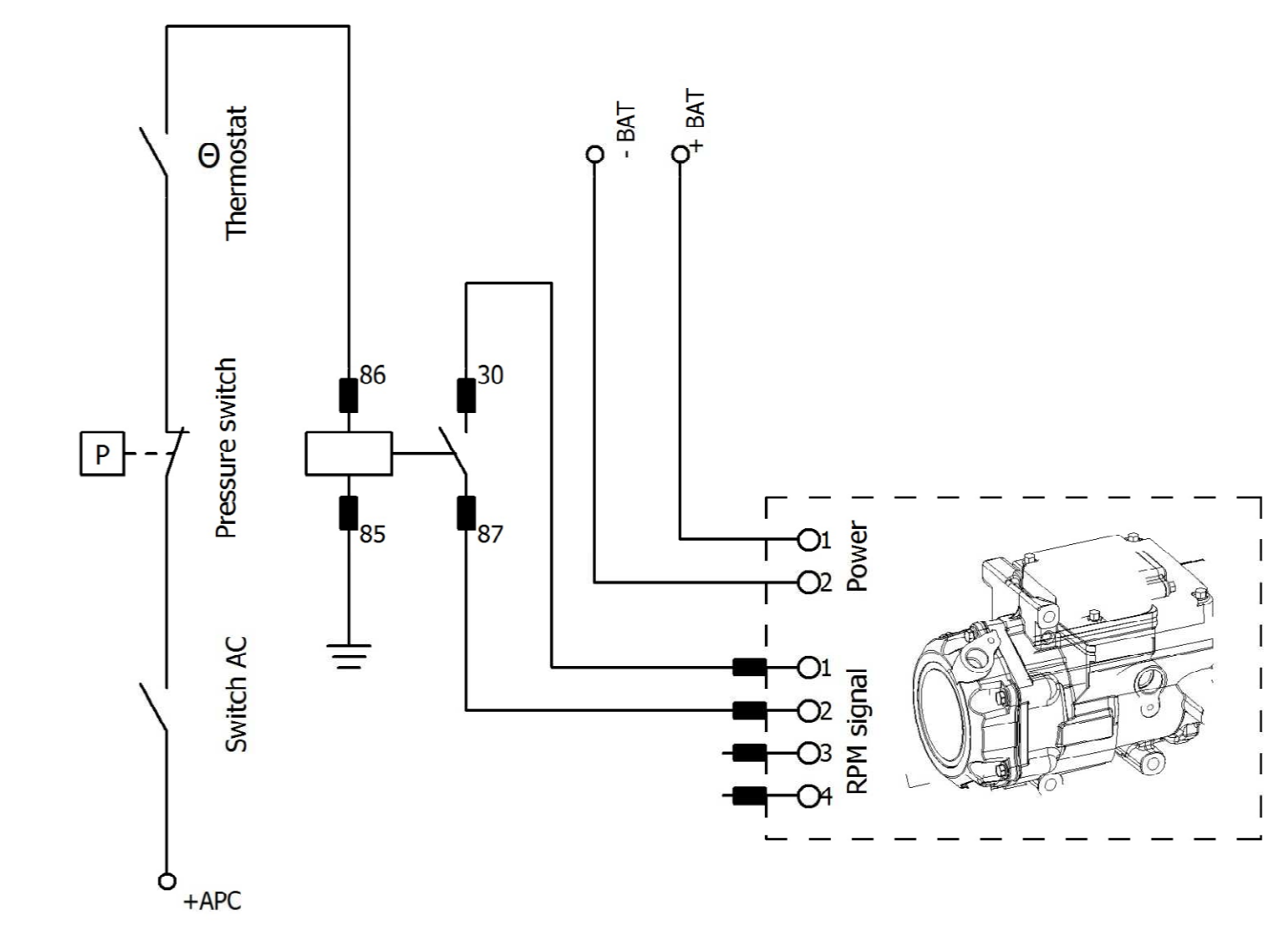
Compressor performance

Test condition : Ps=0.30MPa(abs) Pd=1.57MPa(abs)  
 super heating 10% super cooling 5%  
 refrigerant : R134a

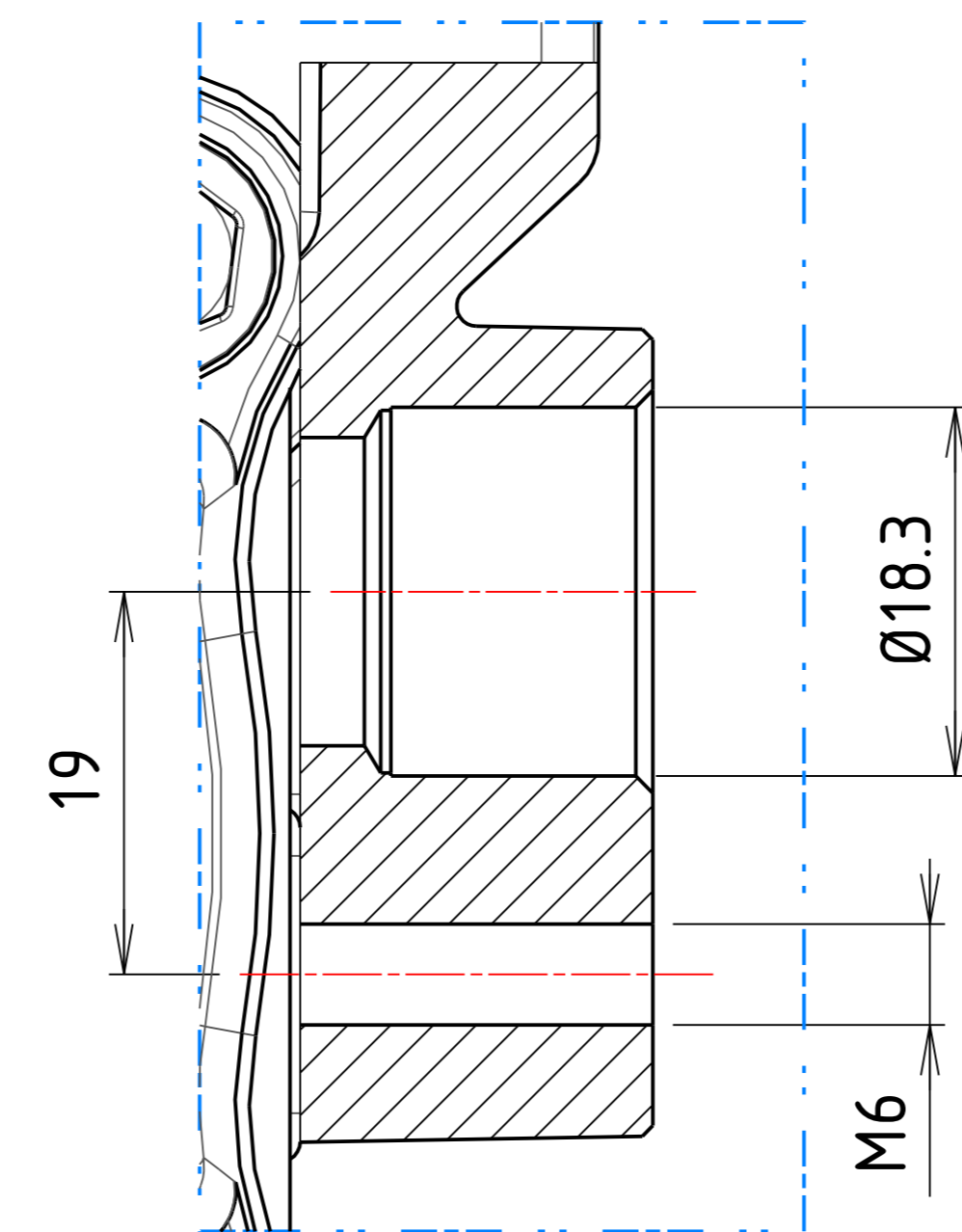
performance curve



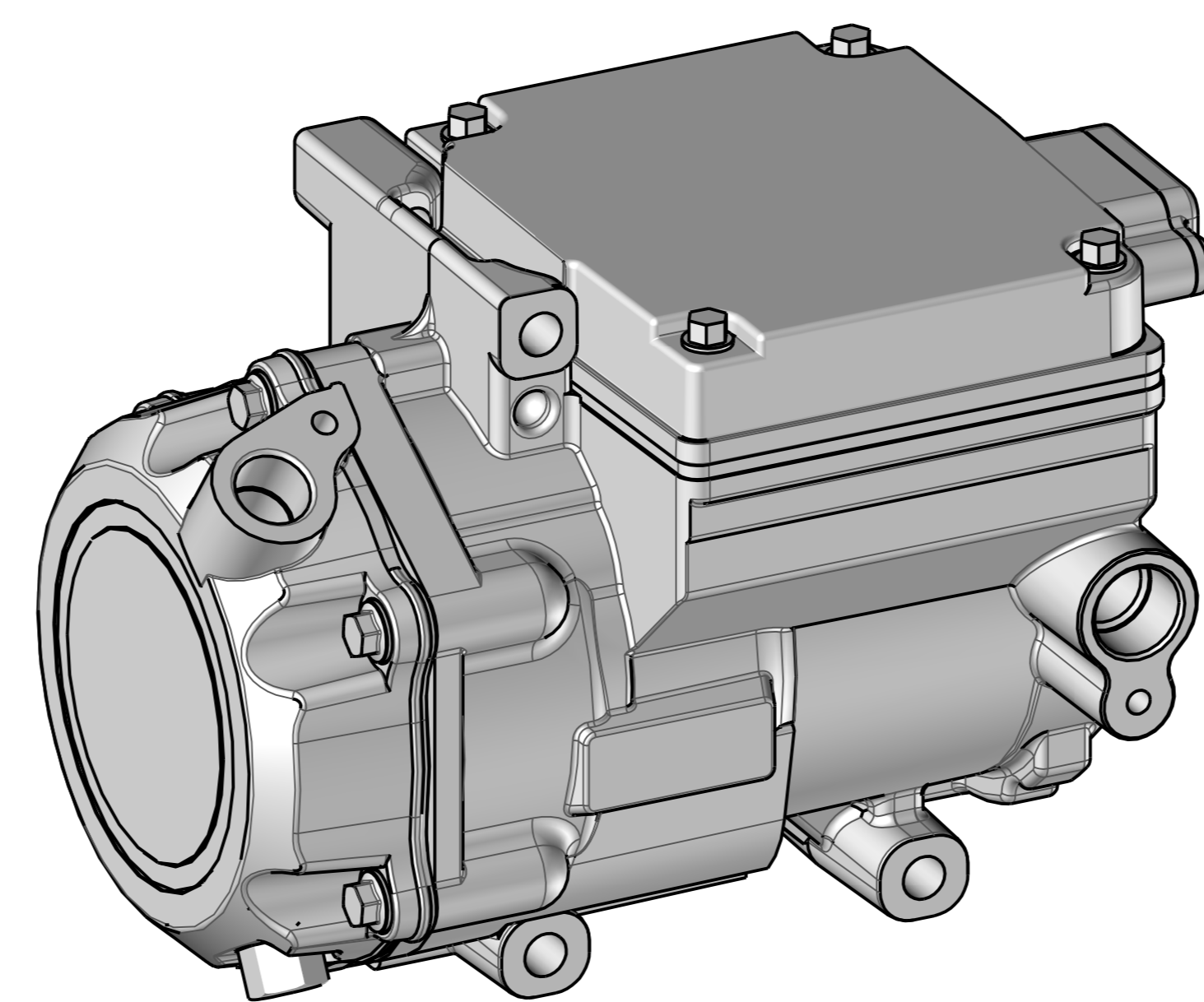
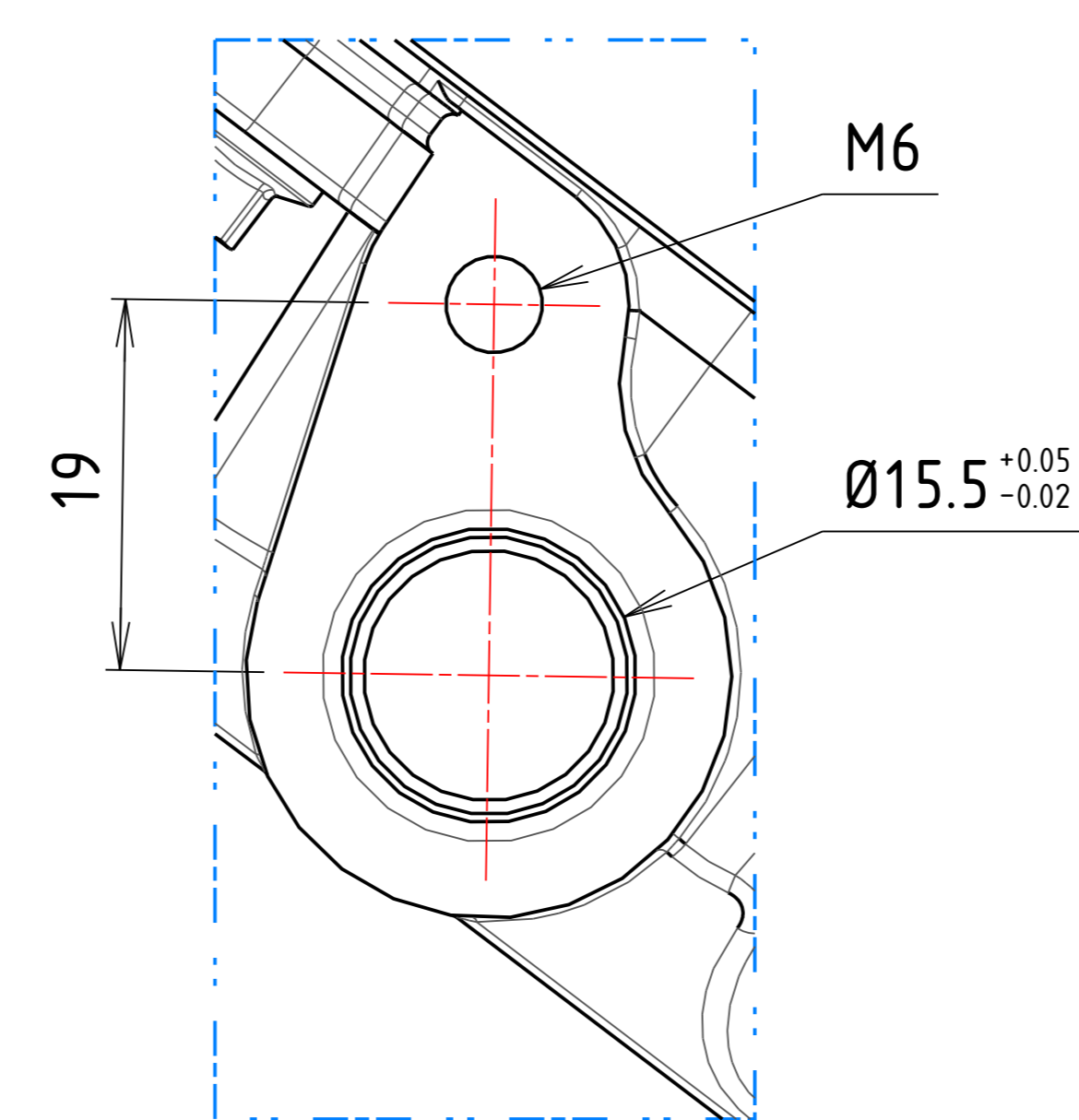
Electric diagram



Suction



Discharge



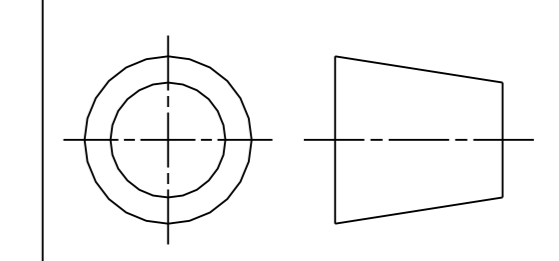
A	06/11/2015	FFE	Création
Revision	Date	Autor	Remark
Designation :		Reference :	
Compresseur SH 18cc 12V 2.2kW + connectique Deutsch		700.08.320	
Ref project :		N° Folio :	
		1/1	



Voie E - Z.I de mariage  
 F - 69330 PUSIGNAN  
 Tél : 04 72 93 10 10  
 Fax : 04 72 93 10 19  
 E-mail : kalori@kalori.com

Format : A3

Scale : 1 : 2



N° Folio : 1/1

Ce plan et l'étude s'y rapportant sont la propriété exclusive de KALORI SAS. Toute reproduction totale ou partielle est interdite sans l'autorisation de la société KALORI.  
 This drawing and the study related to it are the exclusive property of Kalori SAS. The reproduction full or partial without the prior consent of Kalori is prohibited.

H G B A