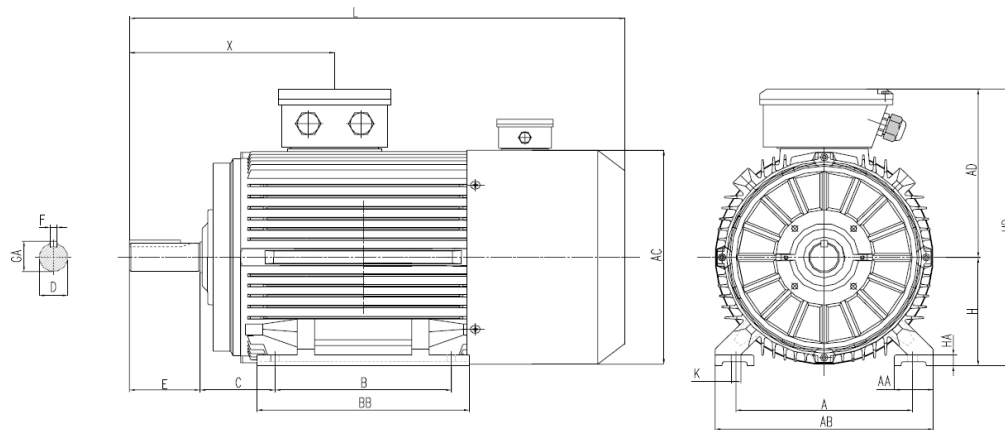


All EG line motors can be supplied with cooling system IC 416 on request.
 In this case a proper fan is fitted inside the fan cover, suitably reinforced.
 Consequently the ventilation is independent of the rotation speed of the motor itself.
 This solution is particularly suitable for inverter supplied motors.

Grandezza Frame	Tensione nominale Rated voltage	Frequenza Frequency	Potenza Assorb. Input Power	Velocità Speed	Corrente nominale Rated current	Massima portata d'aria Maximum Air Flow	Pressione massima Maximum Pressure
	V	Hz	W	r.p.m	A	m ³ /ora	Pa
132	400	50	52	1400	0.2	337	35
160	400	50	70	1390	0.26	609	40
180	400	50	85	1330	0.26	686	55
200	400	50	105	1230	0.27	1679	65
225	400	50	75	1430	0.37	1786	70
250	400	50	115	1420	0.4	1813	80
280	400	50	180	1360	0.56	2415	85
315	400	50	480	1320	0.78	2820	110
355	400	50	400	900	1	3500	80
355	400	50	600	1350	1.09	3500	150

In the next pages are mentioned the overall dimensions of the motors with independent ventilation with ventilation system IC416.



Tipo Type	Poli Poles	Dimensioni – Dimensions																			Foro filettato Threaded hole
		A	AA	AB	AC	AD	B	BB	C	D	E	F	GA	H	HA	HD	K	L	X		
132S	2.4.6.8	216	46	255	259	200	140	190	89	38	80	10	41	132	18	332	12	537.5	210	M12	
132M	2.4.6.8	216	46	255	259	200	178	228	89	38	80	10	41	132	18	332	12	575.5	210	M12	
160M	2.4.6.8	254	60	314	313	250	210	262	108	42	110	12	45	160	17	410	15	696	282	M16	
160L	2.4.6.8	254	60	314	313	250	254	306	108	42	110	12	45	160	17	410	15	751	282	M16	
180M	2.4.6.8	279	75	348	360	270	241	300	121	48	110	14	51,5	180	27	450	15	754	351	M16	
180L	2.4.6.8	279	75	348	360	270	279	338	121	48	110	14	51,5	180	27	450	15	792	371	M16	
200L	2.4.6.8	318	80	388	399	300	305	358	133	55	110	16	59	200	25	500	19	826	395	M20	
225S	4.6.8	356	85	436	465	335	286	361	149	60	140	18	64	225	28	560	19	935	423	M20	
225M	2	356	85	436	465	335	311	386	149	55	110	16	59	225	28	560	19	930	405	M20	
225M	4.6.8	356	85	436	465	335	311	386	149	60	140	18	64	225	28	560	19	960	435	M20	
250M	2	406	90	484	506	366	349	443	168	60	140	18	64	250	30	616	24	1034	482	M20	
250M	4.6.8	406	90	484	506	366	349	443	168	65	140	18	69	250	30	616	24	1034	482	M20	
280S	2	457	100	557	559	395	368	459	190	65	140	18	69	280	34	675	24	1098	514	M20	
280S	4.6.8	457	100	557	559	395	368	459	190	75	140	20	79,5	280	34	675	24	1098	514	M20	
280M	2	457	100	557	559	395	419	510	190	65	140	18	69	280	34	675	24	1149	540	M20	
280M	4.6.8	457	100	557	559	395	419	510	190	75	140	20	79,5	280	34	675	24	1149	540	M20	
315S	2	508	120	628	651	530	406	590	216	65	140	18	69	315	45	845	28	1300	432	M20	
315S	4.6.8	508	120	628	651	530	406	590	216	80	170	22	85	315	45	845	28	1330	462	M20	
315M	2	508	120	628	651	530	457	672	216	65	140	18	69	315	45	845	28	1450	432	M20	
315M	4.6.8	508	120	628	651	530	457	672	216	80	170	22	85	315	45	845	28	1480	462	M20	
315L	2	508	120	628	651	530	508	672	216	65	140	18	69	315	45	845	28	1450	432	M20	
315L	4.6.8	508	120	628	651	530	508	672	216	80	170	22	85	315	45	845	28	1480	462	M20	