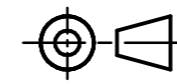


DO NOT SCALE

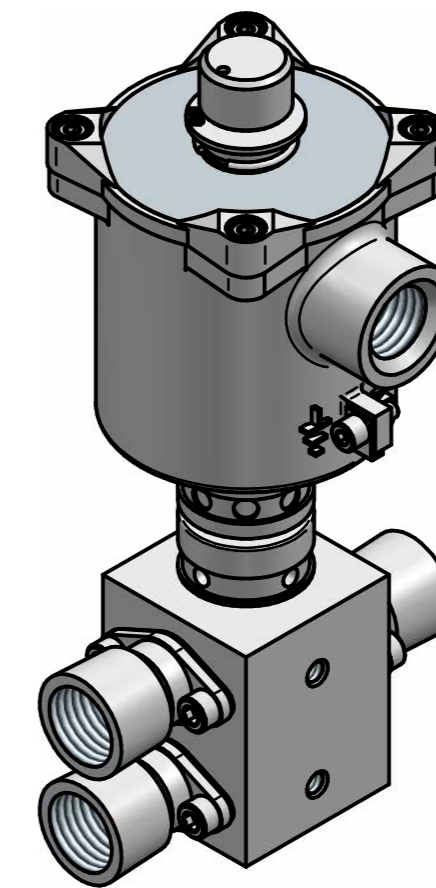
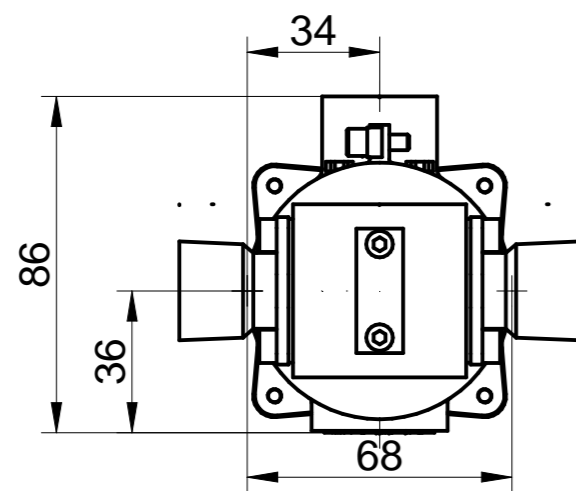
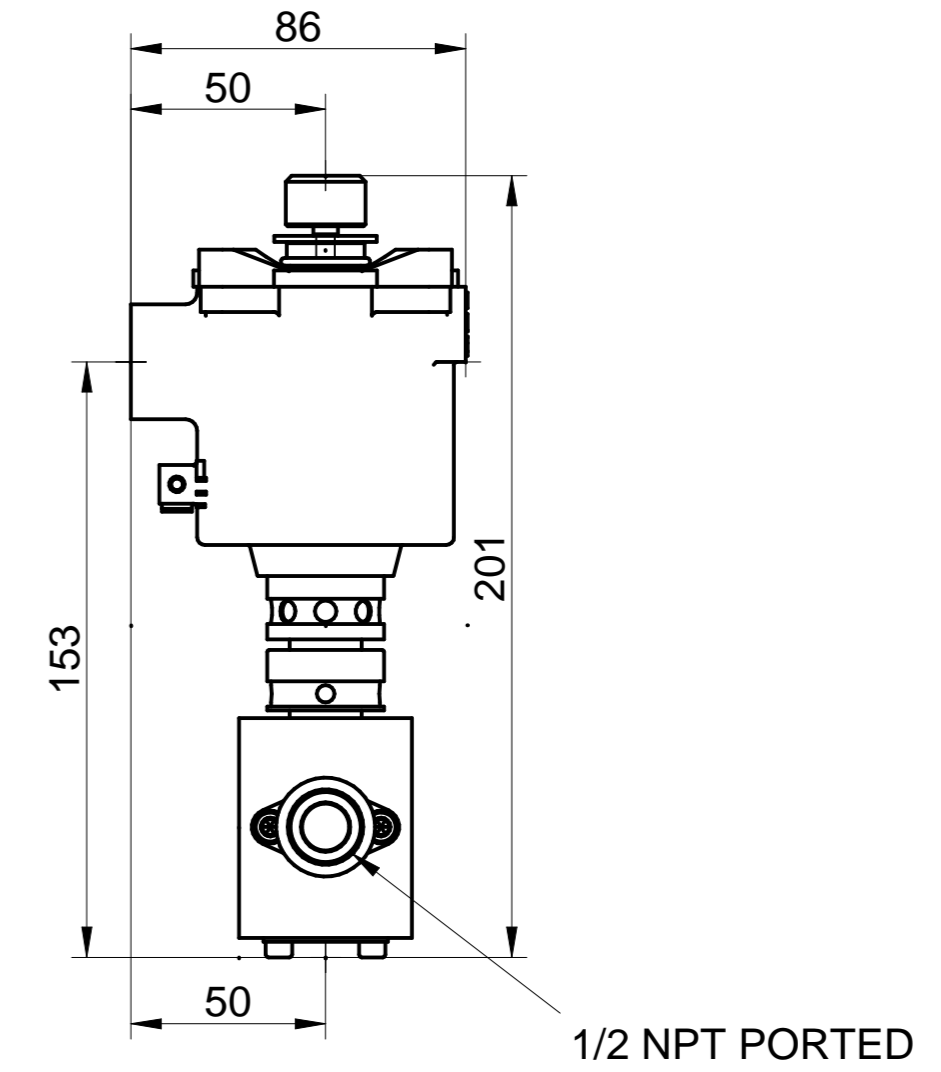
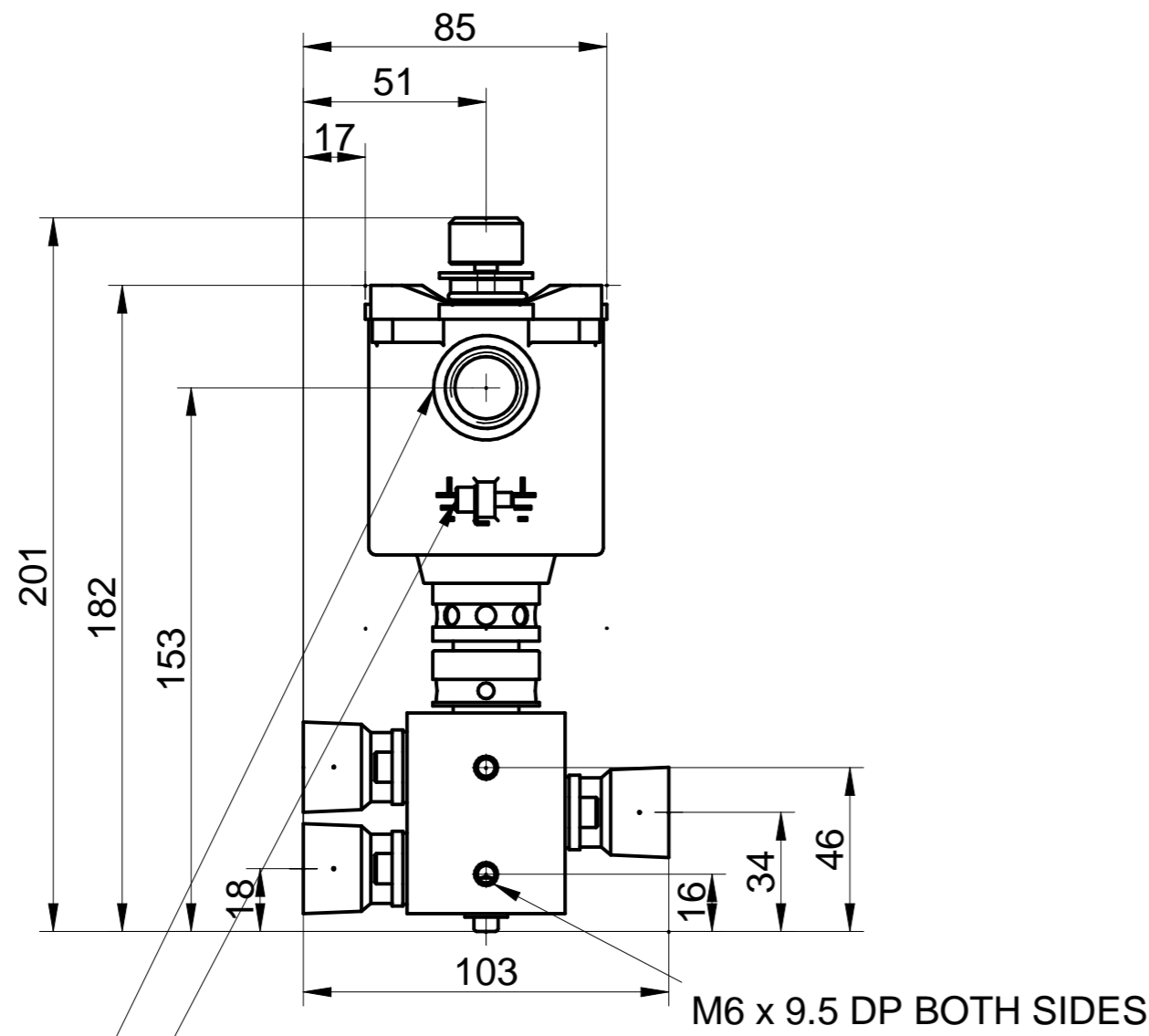
THIRD ANGLE PROJECTION



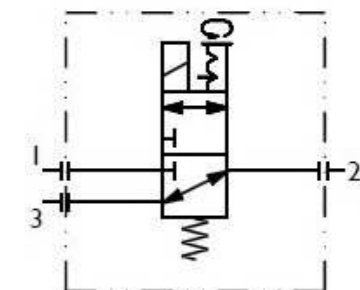
DIMENSIONS IN MILLIMETRES

FIXING SCREW TORQUE SETTINGS

M4	2.2 Nm
M5	4.3 Nm
M6	7.3 Nm
M8	17.7 Nm
M10	35.5 Nm



SCHEMATIC



MAINSTAGE VALVE

- NPT PORTS STANDARD (BSP PORTS - K6 OPTION)
- SUITABLE FOR UNIVERSAL OPERATION 2/2 & 3/2 NORMALLY OPEN AND NORMALLY CLOSED
- PLUG PORT 3 FOR 2/2 NORMALLY CLOSED
- PLUG PORT 1 FOR 2/2 NORMALLY OPEN

SOLENOID

- M20 x 1.5 CONDUIT ENTRY (1/2" NPT - K85 OPTION)
- FULLY ROTATABLE HOUSING (FIXED HEAD SOLENOID - L209 OPTION)

NOTES :

1.) O-RING MATERIAL CODE 'X'

S = NITRILE
 V = VITON
 AL = FLUOROSILICONE
 AG = SILICONE

2.) ALL DIMENSIONS NOMINAL UNLESS OTHERWISE STATED.

We take care to ensure that the product information in this configurator is reasonably accurate and up-to-date. However, our products are continually developed and updated so to ensure accurate and up-to-date information please contact a member of our sales team.

When selecting a product, the applicable operating system design must be considered to ensure safe use. The products function, material compatibility, adequate ratings, correct installation, operation and maintenance are the responsibilities of the system designer and user.



Bifold Fluidpower Limited
 Bifold Group, Oldham Broadway Business Park, Chadderton, Gr. Manchester OL9 9XA
 Telephone (44) 0161 345 4777 Fax (44) 0161 345 4780

PROJECT TITLE
 FP10P-S2-08-32-NU-X-77X-X-MOR-X

PROJECT No.

DRAWING TITLE
 GENERAL INSTALLATION

DRAWING No.
 0-IN4068

REV.
0

DRAWN
 CONF

DATE
 29.05.19

0	29.05.19	CONF	PRODUCTION ISSUE
REV	DATE	DRAWN	REVISION