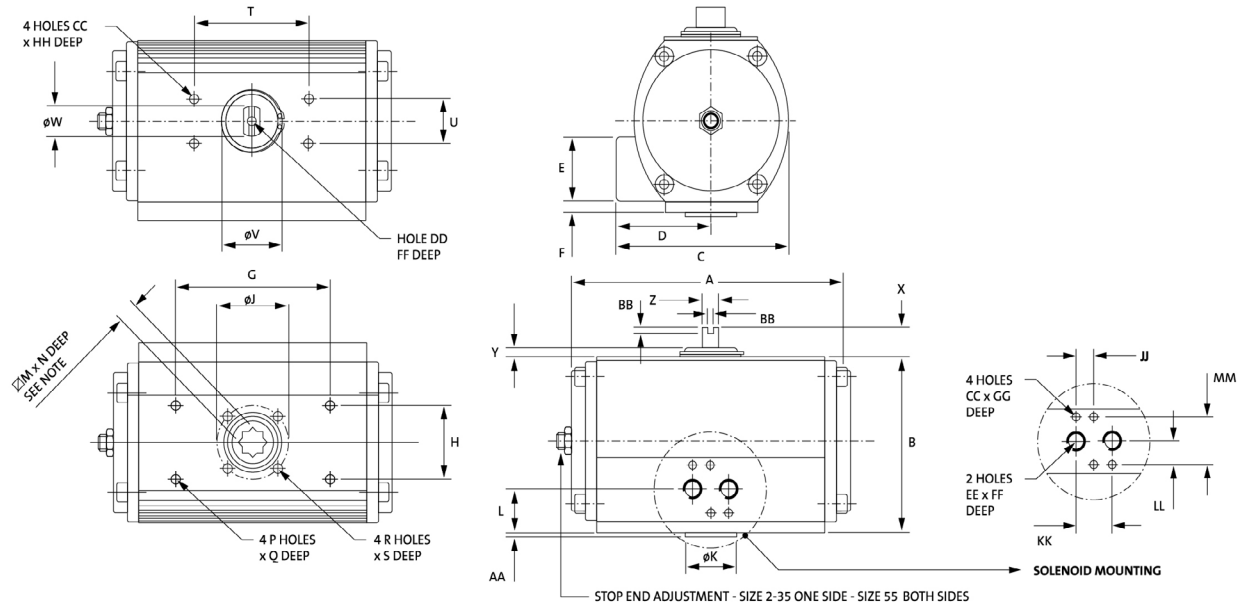




# TruTorq Pneumatic Actuator Type C, Metric Size 2, 4, 8, 12, 20, 35 and 55

- Double acting (DA) and Spring Return (SR)
- Single End Stop Adjustment, open position



## DIMENSIONS, METRIC (mm)

Actuator size	ISO	A	B	C	D	E	F	G	H	ØJ	ØK	L	M	N	P	Q	R	S	T
TT 2	F03	114.5	73.0	75.5	43.5	41.0	---	73.0	32.0	36.0	25.0	20.5	9.0	10.0	M5	8.0	M5	8.0	80.0
TT 4	F04	133.0	90.5	87.5	47.5	41.0	---	73.0	32.0	42.0	30.0	20.5	11.0	12.0	M5	8.0	M5	8.0	80.0
TT 8	F05/F07	162.0	109.0	105.0	57.0	42.0	7.5	73.0	32.0	50.0	35.0	28.5	14.0	16.0	M6	10.0	M6	10.0	80.0
TT 12	F07/F05	194.0	118.5	121.0	67.0	43.0	8.0	107.0	49.0	70.0	35.0	29.5	17.0	16.0	M6	10.0	M6	10.0	80.0
TT 20	F07/F10	218.0	140.5	136.5	72.0	43.0	8.0	107.0	49.0	70.0	55.0	29.5	17.0	19.0	M6	10.0	M8	13.0	80.0
TT 35	F10/F07	266.0	166.5	156.0	78.0	43.0	8.5	161.0	73.0	102.0	70.0	30.0	22.0	24.0	M6	12.0	M10	16.0	80.0
TT 55	F12	312.0	207.5	191.0	95.5	43.0	20.5	161.0	73.0	125.0	85.0	42.0	27.0	29.0	M8	15.0	M12	20.0	130.0

Actuator size	ISO	U	ØV	ØW	X	Y	Z	AA	BB	CC	DD	EE	FF	GG	HH	JJ	KK	LL	MM
TT 2	F03	30.0	25.0	16.0	20.0	4.5	11.5	2.0	4.0	M5	M6	G1/8"	12.0	8.0	5.0	12.0	24.0	16.0	32.0
TT 4	F04	30.0	31.0	20.0	20.0	4.5	11.5	2.0	4.0	M5	M6	G1/8"	12.0	8.0	5.0	12.0	24.0	16.0	32.0
TT 8	F05/F07	30.0	35.0	20.0	20.0	5.0	11.5	3.0	4.0	M5	M6	G1/8"	12.0	8.0	5.0	12.0	24.0	16.0	32.0
TT 12	F07/F05	30.0	45.0	20.0	20.0	5.5	11.5	3.0	4.0	M5	M6	G1/4"	12.0	8.0	5.0	12.0	24.0	16.0	32.0
TT 20	F07/F10	30.0	50.0	32.0	20.0	6.5	19.0	3.0	4.0	M5	M6	G1/4"	12.0	8.0	5.0	12.0	24.0	16.0	32.0
TT 35	F10/F07	30.0	61.0	32.0	20.0	7.0	19.0	3.0	4.0	M5	M6	G1/4"	12.0	8.0	5.0	12.0	24.0	16.0	32.0
TT 55	F12	30.0	61.0	40.0	30.0	7.5	25.4	3.0	4.0	M5	M6	G1/4"	12.0	8.0	5.0	12.0	24.0	16.0	32.0



**TruTorq Pneumatic Actuator Type C, Metric  
Size 2, 4, 8, 12, 20, 35 and 55**

**TORQUE**

Actuator Size	Air Supply	DA Torque	SR Torque (Nm)				
	BAR	Nm	Air - Start	Air - End	Spring - Start	Spring - End	Spring Qty
TT 2	6	20	13	7	13	7	4+4
TT 4	6	41	27	15	26	14	4+4
TT 8	6	90	58	32	57	31	4+4
TT 12	6	122	79	44	78	43	4+4
TT 20	6	202	130	71	130	71	4+4
TT 35	6	374	241	133	241	132	4+4
TT 55	6	597	385	212	384	211	4+4

**OPERATING DETAILS**

Actuator Size	Operating time (sec)				Air consumption (litre)		Overall weight (kg)	
	DA Open	DA Close	SR Open	SR Close	Open	Close	DA	SR
TT 2	<1	<1	<1	<1	0.09	0.12	1.0	1.1
TT 4	<1	<1	<1	<1	0.18	0.24	1.8	1.9
TT 8	<1	<1	<1	<1	0.34	0.41	3.1	3.4
TT 12	1.5	1.5	1.5	1.0	0.49	0.64	4.1	4.7
TT 20	2.0	2.0	2.0	1.5	0.90	1.00	6.3	7.0
TT 35	2.5	2.5	2.5	2.0	1.69	1.90	10.5	12.0
TT 55	3.5	3.5	3.5	3.0	2.80	3.40	18.2	20.6