



GREG9 160x62R

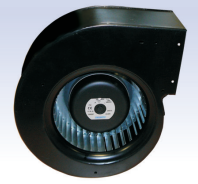
K39-A7-1



DATA SHEET

release. i - Revision 01-2015

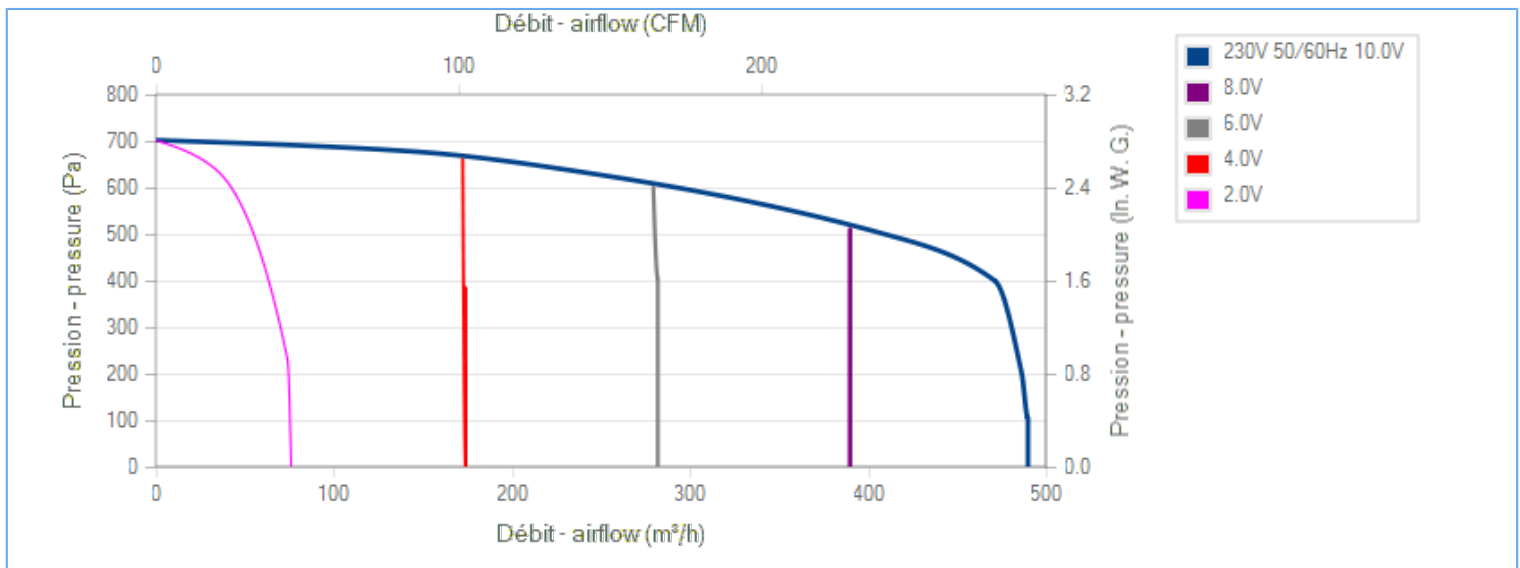
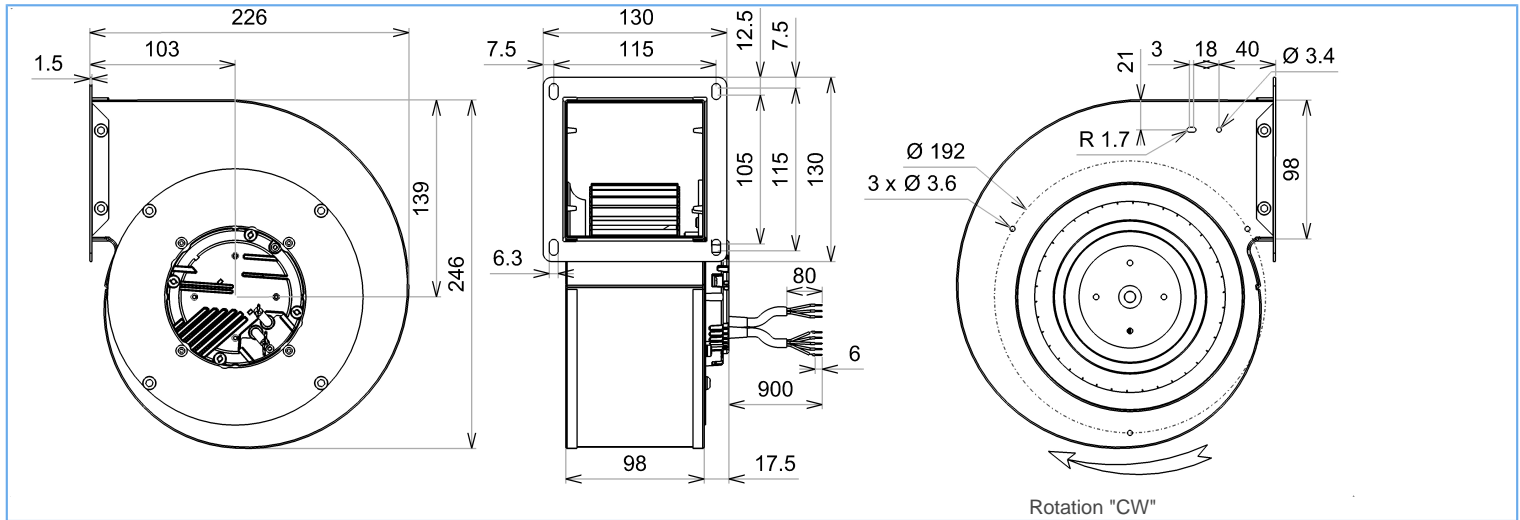
Voltage	Frequency	Input Power	Input Current	Airflow	Rotation speed	Acoustic level	Direction rotation	Admissible Temperature
V	Hz	W	A	m ³ /h	RPM	dBA	↻	Min/Max
230	50/60	56	0,49	490	1390	59	R	-20°C / +50°C
230	50/60			288 CFM				-4°F / 122°F



dBA : free blowing

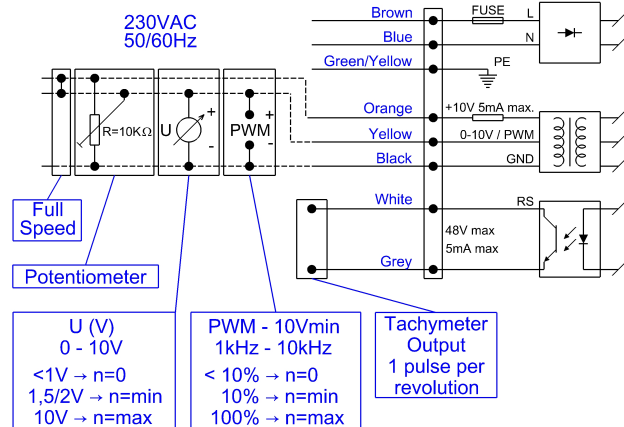
ErP 2013 **OK**

ErP 2015 **OK**



Description

- .Weight : 2,7 Kg
- .Ball bearing
- .Insulation Class F
- .IP4x may be IP44 according to EN60034-5 after checking the integration into the customer appliance
- .G2.5 balancing
- .Scroll housing : black paint
- .Galvanized steel impeller
- .Rotor : black paint





GREG9 160x62R

K39-A7-1



DATA SHEET

release. i - Revision 01-2015

Data in accordance to ErP directive

Voltage	230	V
Frequency	50	Hz
Power	0,129	kW ⁽¹⁾
Airflow	332,5	m ³ /h ⁽¹⁾
Pressure	552	Pa ⁽¹⁾
Rotation speed	2741	RPM ⁽¹⁾

(1) at optimal efficiency point

	Actual	Request 2013	Request 2015
Overall efficiency (η)	45,4	25,1	32,1
Efficiency grade	57	37	44
Installation category	A		
Efficiency category	static		
Variable speed drive	Yes		
Specific ratio	1,00		

Designed for regular application according ErP directive EU 2009/125/EC

Accessories

21325

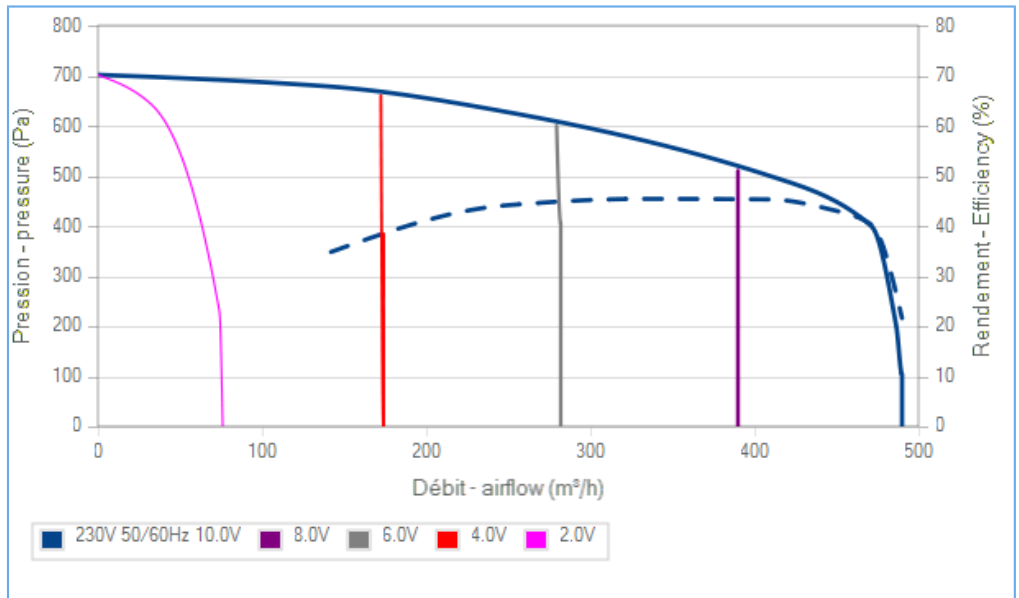
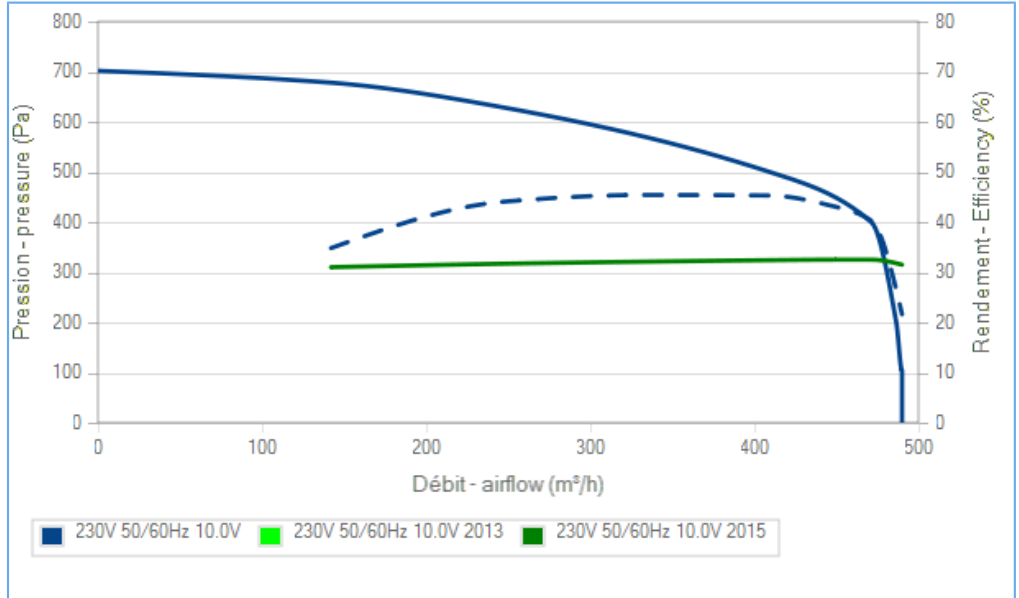
Measurement setup

Contact ECOFIT

Documents

Manuel d'utilisation
www.ecofit.com/site/normes

Operating and recycling manual
www.ecofit.com/anglais/normes



La courbe de rendement intègre le facteur de compensation de charge partielle du règlement (UE) n°327/2011
 The efficiency curve includes part load compensation factor of regulation (EU) n°327/2011



IEC 60335-2-80:2002 + A1:2004 +
 IEC 60335-1:2010
 EN 60335-2-80:2003 + A1:2004 + A2:2009 +
 EN 60335-1:2012
 RT9192CE

Non contractual document. All specifications are subject to change without prior notice. Picture for information only.