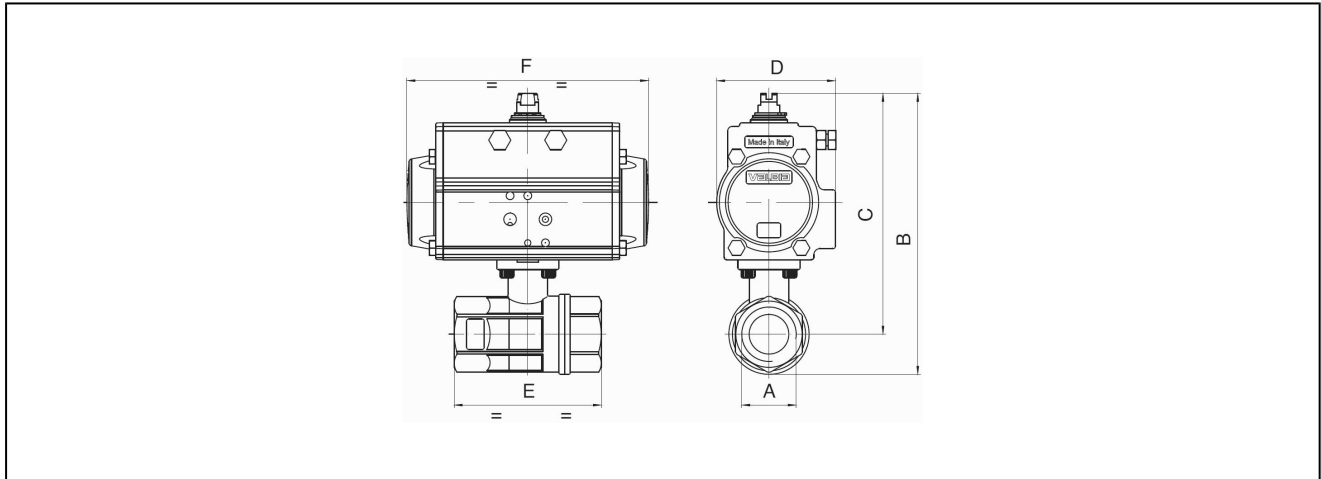


## ball valves made of brass with pneumatic actuator series BAB1-...-BLTV



design	actuator: piston actuator with 2 counteracting pistons, elastic sealing, actuator complying with ISO 5211 or rather to NAMUR-references, end position +/-5° adjustable on both sides
connection	RP1/4" ... RP4" according to ISO7/1
materials standard construction	actuator: hard-anodised aluminum, pinion nickel-plated steel, piston guide POM, seals NBR ball valve: CW617N brass nickel plated body, ball brass CW617N hard chrome plated, seals PTFE/ FKM/EPDM
function	delivery in double acting or single acting design
type of fixing	installed into rigid pipework
mounting position	any
control medium	filtered and lubricated or non lubricated compressed air
application	gases and liquids of group 2 according to PED 2014/68/EU, which do not affect the used materials.
medium temperature	-20...+160°C
ambient temperature	-20...+85°C
control pressure	5,5...8 bar, adaptation for lower control pressures on request
operating pressure	0 bar to operating pressure according to the table and pressure-temperature diagram, not suitable for vacuum
special version	pinion made of stainless steel, ATEX, ambient temperatures of -40...+85°C, respectively -20...+150°C on request
accessories	mounted manual pneumatic or electric control valve electric end position signal, I/P or P/P positioner control of moving speed
order information	in case of order please specify control pressure, operating medium and operating pressure
direction for use	pressure and temperature values are maximum values for lubricating or not degreasing mediums. in particular degreasing media reduce the indicated values and increase the necessary torque. In border lines we recommend a previous consultation. when selecting the armature, the lowest control pressure in the equipment is taken as the basis

## dimensions



## ball valves with double acting pneumatic actuator

connection A	nominal diameter DN[mm]	max. operating pressure [bar] to 85°C	B	C	D	E	F	type of actuator	kv value [m <sup>3</sup> /h]	weight [app. kg]	type
RP1/4"	8	40	115	98	45	67	110	PAD032	5,4	0,9	BAB1-002-BLTV-D0
RP1/4"	8	40	151,5	134,5	71	67	141	PAD052	5,4	1,7	BAB1-002-BLTV-D0B*
RP3/8"	10	40	115	98	45	67	110	PAD032	6	0,9	BAB1-003-BLTV-D0
RP3/8"	10	40	151,5	134,5	71	67	141	PAD052	6	1,7	BAB1-003-BLTV-D0B*
RP1/2"	15	40	115	98	45	67	110	PAD032	16,3	0,9	BAB1-004-BLTV-D0
RP1/2"	15	40	151,5	134,5	71	67	141	PAD052	16,3	1,7	BAB1-004-BLTV-D0B*
RP3/4"	20	40	120	100	45	76	110	PAD032	29,5	1,0	BAB1-005-BLTV-D0
RP3/4"	20	40	156,5	136,5	71	76	141	PAD052	29,5	1,8	BAB1-005-BLTV-D0B*
RP1"	25	40	135	111	45	90	110	PAD032	43	1,3	BAB1-006-BLTV-D0
RP1"	25	40	171,5	147,5	71	90	141	PAD052	43	2,1	BAB1-006-BLTV-D0B*
RP11/4"	32	40	144	114	45	102	110	PAD032	89	1,6	BAB1-007-BLTV-D0
RP11/4"	32	40	180,5	150,5	71	102	141	PAD052	89	2,4	BAB1-007-BLTV-D0B*
RP11/2"	40	40	203	166	71	114	141	PAD052	230	3,1	BAB1-008-BLTV-D0
RP2"	50	40	221	175	71	138	141	PAD052	265	4,1	BAB1-009-BLTV-D0
RP21/2"	65	25	259	202	81	157	164	PAD063	540	5,5	BAB1-010-BLTV-D0
RP3"	80	16	279	211	81	188	164	PAD063	873	7,8	BAB1-011-BLTV-D0
RP4"	100	16	345	262	106	225	241	PAD085	1390	14,0	BAB1-012-BLTV-D0

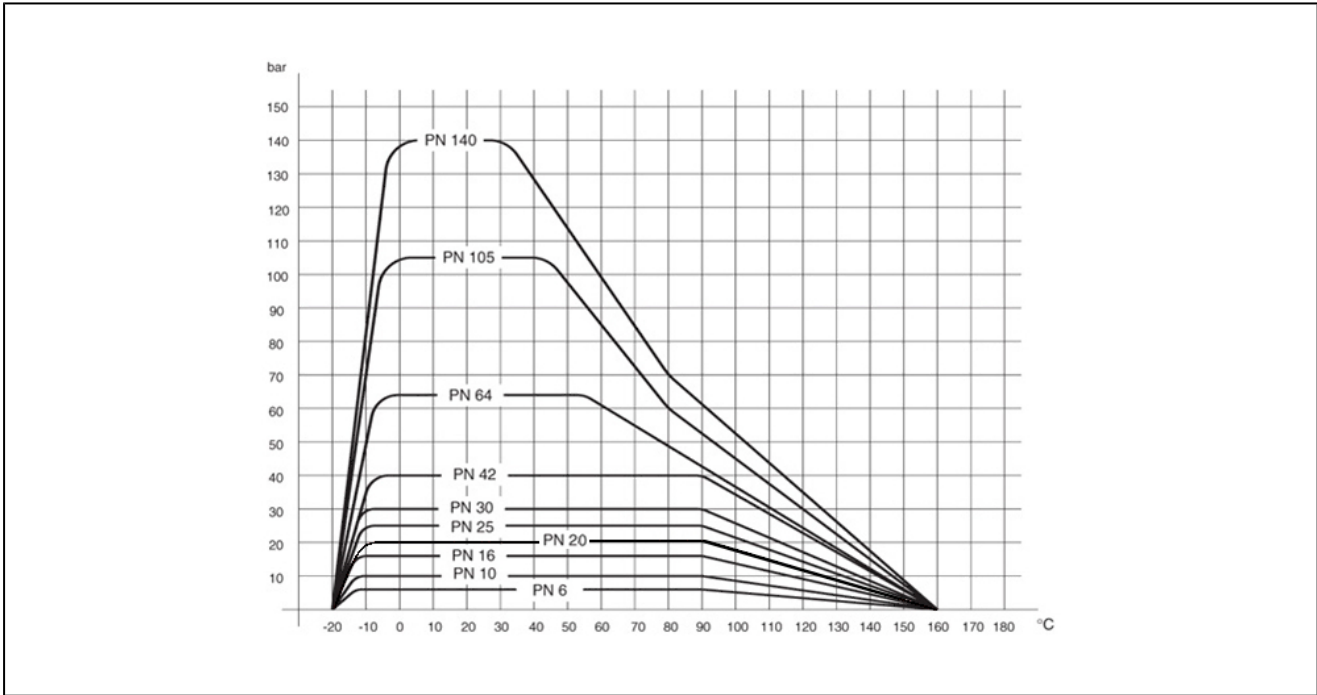
\*with add-on B the ball valves will be fitted with actuator PAD052. when using limit switch boxes and NAMUR-control valves use B-types.

## ball valves with single acting pneumatic actuator

connection A	nominal diameter DN[mm]	max. operating pressure [bar] to 85°C	B	C	D	E	F	type of actuator	kv value [m <sup>3</sup> /h water]	weight [app. kg]	type
RP1/4"	8	40	151	134	71	67	141	PAS0525	5,4	1,9	BAB1-002-BLTV-S0
RP3/8"	10	40	151	134	71	67	141	PAS0525	6	1,9	BAB1-003-BLTV-S0
RP1/2"	15	40	151	134	71	67	141	PAS0525	16,3	1,9	BAB1-004-BLTV-S0
RP3/4"	20	40	156	136	71	76	141	PAS0525	29,5	2,0	BAB1-005-BLTV-S0
RP1"	25	40	172	147	71	90	141	PAS0525	43	2,3	BAB1-006-BLTV-S0
RP11/4"	32	40	180	151	71	102	141	PAS0525	89	2,6	BAB1-007-BLTV-S0
RP11/2"	40	40	214	177	81	114	141	PAS0635	230	4,1	BAB1-008-BLTV-S0
RP2"	50	40	232	186	81	138	164	PAS0635	265	5,2	BAB1-009-BLTV-S0
RP21/2"	65	25	291	234	106	165	241	PAS0855	540	8,6	BAB1-010-BLTV-S0
RP3"	80	16	311	243	106	188	241	PAS0855	873	10,9	BAB1-011-BLTV-S0
RP4"	100	16	358	275	123	225	275	PAS1005	1390	17,5	BAB1-012-BLTV-S0

single acting actuators are delivered normally closed (NC), if not specified in your order.

# pressure-temperature-diagram



illustrations are non-binding  
all designs, configurations, measurements and materials are subject to change without prior notice