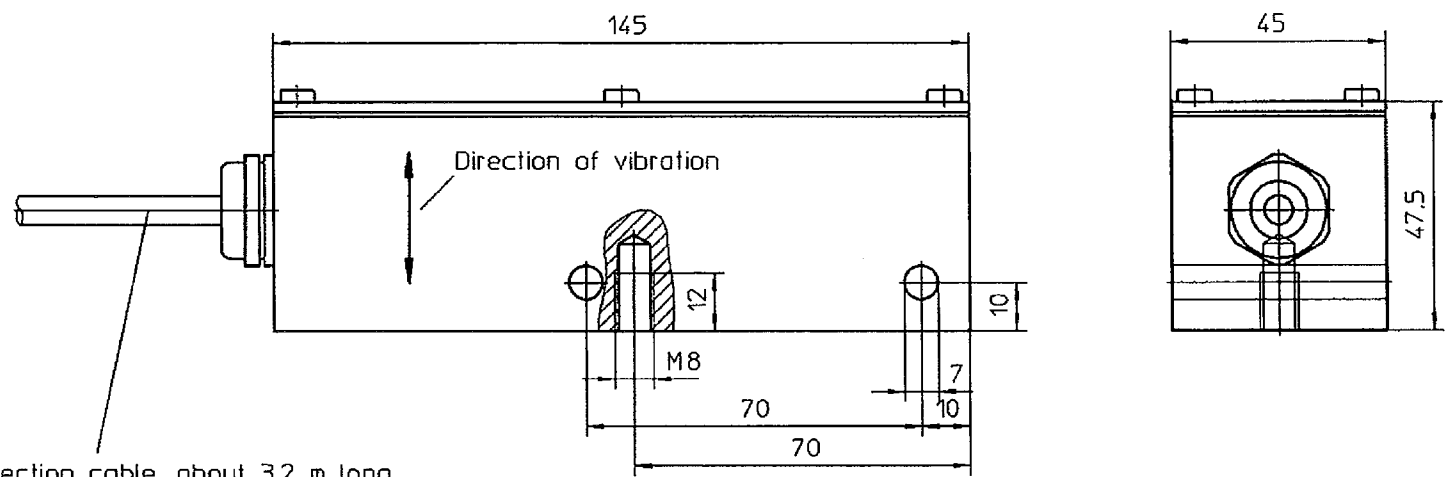


51



Connection cable, about 3.2 m long
Silicon-sheathed cable (SIHF 2x1,0 mm²)

Technical Data

Degree of protection according to EN 60529	IP65		
Oscillation frequency, permitted	25, 60, 120 Hz		
Inner resistance	380 Ohm		
Rated amplitude, maximum permitted	25 Hz	7.5 mm	(min. 1.50 mm)
	60 Hz	3.0 mm	(min. 0.20 mm)
	120 Hz	1.5 mm	(min. 0.12 mm)
Ambient temperature, permitted	-50 to +60 °C		
Air humidity, permitted	100 %		
Weight	650 g		
Transmission coefficient	25 Hz	0.40 V/mm Amplitude	
	60 Hz	3.00 V/mm Amplitude	
	120 Hz	4.50 V/mm Amplitude	

13

observe protection mark acc. to DIN ISO 16016		ISO 128		scale: 1:1	
		date		name	
		drawn	10.11.11	Reifuss	
		check	17.11.11	Reifuss	
		norm	17.11.11	Hol	
		A3 - ME10		drawing no:	
		AVITEQ® Vibrationstechnik		04_737_EN	
version:		modification:		version:	sheet
date:		name:		0	1 of 1 st.
orig.:		subst. by:			