



- A PART OF ADDTECH GROUP

## DATA SHEET

Customer:	
Ref.:	
Order:	
Motor:	
Serial nr:	
Date:	18-02-2019

### ASYNCHRONOUS MOTOR 4A 132S1-2

#### Nameplate data:

Code: 112258

Type:	4A 132S1-2			IP55	F/B	Amb. temp.: Max. 45°		
kW	Hz	V	A	Rpm	Cos	Eff.	Duty	IE.class
5,50	60	440 Δ	9,55	3480	0,88	85,7%	S1	IE1-(Eff2)

#### Description:

Mounting form:	B3
Bearing DE:	6308-2Z/C3
Bearing NDE:	6308-2Z/C3
Weight - Kg.:	39
Heater:	No Heater
PTC:	No PTC
Kgm <sup>2</sup> :	0,0377
Sound press.-db(A):	69,0

#### Other:


#### Test data S1-duty, Amb.temp 40°C:

Voltage - V:	440
Frequency - Hz:	60
Power - kW:	6,60
Full load speed - Rpm:	3480
Full load current - A:	11,45
Full load power factor - Cos:	0,88
Locked rotor current - A:	86,6
Locked rotor factor - A <sub>st</sub> /A <sub>n</sub> :	7,6

Efficiency 100% load - %:	85,7%
Efficiency 75% load - %:	
Efficiency 50% load - %:	
Full load torque - Nm:	18,1
Locked rotor torque - Nm:	45,8
Locked rotor torque - Nm <sub>st</sub> /Nm <sub>n</sub> :	2,5
Max. Pull out torque - Nm:	43,8
Max. Pull out torque. - Nm <sub>st</sub> /Nm <sub>n</sub> :	2,4

Over load/speed test	kW	Hz	V	A	Rpm
Over load 160% - 15sec.	8,80	50	400	16,80	2900
Over speed 125% - 2 min.	5,5	63	400	10,50	3625
H-Pot test voltage: 1800V			Temp. rise in stator:		

The motor is produced in accordance with following harmonized standards:

IEC60034-1, IEC60034-2, IEC60034-5, IEC60034-6, IEC60034-7, IEC60034-8, IEC60034-9  
IEC60034-12, IEC60034-14, IEC60034-30, IEC60072.

Additional specifications in accordance with:

RINA - GL - LRS - BV - DNV - ABS - KR - RR - CCS - CCC - RMRS.

#### Bevi Group:

BEVI AB, Sweden  
BEVI A/S, Denmark  
BEVI Norge A/S, Norway  
BEVI Finland OY AB, Finland  
BEVI UAB, Lithuania  
BEVI CHINA, China

www.bevi.se  
www.bevi.dk  
www.bevi.no  
www.bevi.fi  
www.bevi.lt  
www.bevi.cn

sales@bevi.se  
bevi@bevi.dk  
info@bevi.no  
info@bevi.fi  
info@bevi.lt  
sales@bevi.cn

+46 499 271 00  
+45 39 67 36 05  
+47 22 07 66 50  
+358 9 2709 1210  
+370 5 2611 112  
+86 21 5032 5200

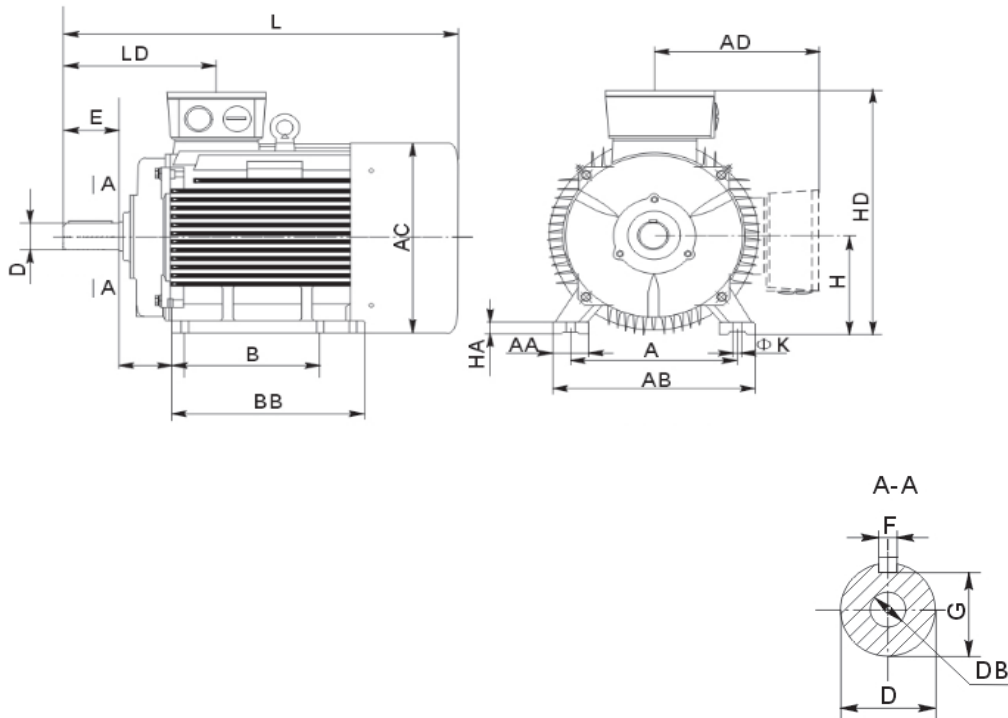


- A PART OF ADDTECH GROUP

## DATA SHEET

Customer:	
Ref.:	
Order:	
Motor:	
Serial nr:	
Date:	18-02-2019

### Foot mounted motor 4A 132S1-2 B3



A: 216	HD: 340	E: 80
B: 140	C: 89	D: 38
AB: 270	H: 132	G: 33
AC: 275	K: 12	DB: M12
AD: 206	L: 483	F: 10
LD: 179	L (V1): 533	

#### Bevi Group:

BEVI AB, Sweden  
 BEVI A/S, Denmark  
 BEVI Norge A/S, Norway  
 BEVI Finland OY AB, Finland  
 BEVI UAB, Lithuania  
 BEVI CHINA, China

www.bevi.se  
 www.bevi.dk  
 www.bevi.no  
 www.bevi.fi  
 www.bevi.lt  
 www.bevi.cn

sales@bevi.se  
 bevi@bevi.dk  
 info@bevi.no  
 info@bevi.fi  
 info@bevi.lt  
 sales@bevi.cn

+46 499 271 00  
 +45 39 67 36 05  
 +47 22 07 66 50  
 +358 9 2709 1210  
 +370 5 2611 112  
 +86 21 5032 5200