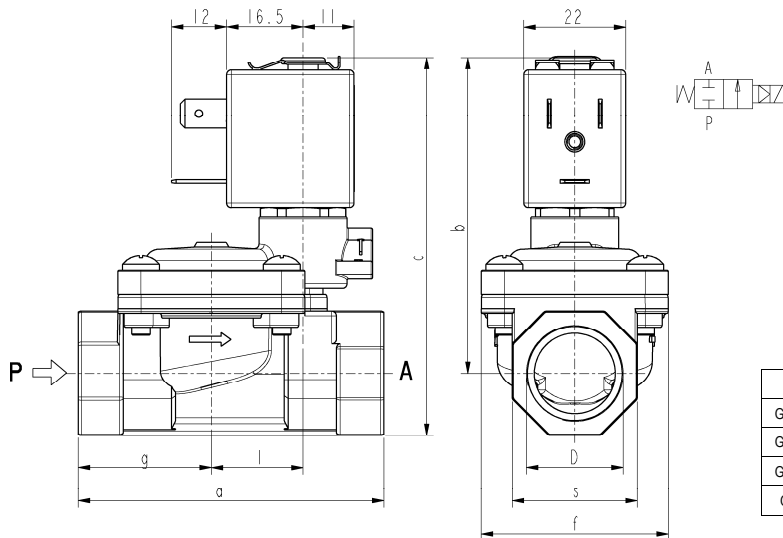




**SOLENOID VALVE**  
**2/2- NC (Normally closed)**  
**Pilot operated**  
**G3/8 - G1**

**L182**  
**STAINLESS STEEL**



D	a	b	c	f	g	l	s
G 3/8	60	66	77	40	25,5	20	22
G 1/2	66	68	82	40	29	20	27
G 3/4	79	72,5	89	50	35,5	24,5	33
G 1	105	85	106	71	46	28	42

► **GENERAL FEATURES**

Diaphragm valve, pilot operated, having full orifice.  
 Suitable to shut off liquid and gaseous fluids (verify the compatibility of fluid with material in contact).

► **TECHNICAL FEATURES**

Maximum allowable pressure (PS) 20bar

**Response times**

Opening time (ms)

Closing time (ms)

Fluid temperature

Max viscosity

3/8	1/2	3/4	1
70	70	70	90
670	600	500	420

-10°C +90°C (NBR)  
 0°C +130°C (FPM)  
 -10°C +140°C (EPDM)  
 5°E (~37 cStokes or mm<sup>2</sup>/s)

► **MATERIALS IN CONTACT WITH FLUID**

Body: Stainless steel AISI 316L  
 Sealing: NBR or FPM or EPDM  
 Internal components: Stainless steel  
 Seat: Stainless steel AISI 316L  
 Core tube: Stainless steel  
 Shading coil: Copper

► **COIL**

Approval: UL and CSA  
 Encapsulation material: PET fiberglass reinforced  
 Insulation class: F (155°C) / H (180°C)  
 Ambient temperature: -10°C +60°C / -10°C +75°C  
 Continuous duty: ED 100%  
 Electric connection: DIN 46340 - 3 poles plug connector  
 Protection degree: IP 67 (EN 60529) with plug connector  
 Voltages: DC 12-24V (+10% -5%)  
 AC 24V/50-60Hz - 115V/50Hz - 230V/50-60Hz (+10% -15%)  
 (Other voltages and frequencies on request)

On request

Approval: UL  
 Voltages: AC 220-230V/50Hz 208-240V/60Hz (+10% -15%)

Port size ISO 228	Orifice size (mm)	Differential pressure (bar)				Kv (m <sup>3</sup> /h)	Series and type			Power absorption				Sealings	Notes	Weight (kg)		
		Δp min	Δp max				Valve	Valve with manual override	Coil	AC (VA)			DC					
			Gases		Liquids					Inrush VA	Holding VA	W					W	
			AC	DC	AC													DC
3/8	13,5	0,35	16	16	16	16	L182(*)09	L182(*)10	ZB12A	12	6	4	5,5	(*) = B (NBR)  (*) = V (FPM)  (*) = D (EPDM)	1-3	0,30		
1/2			(12)	(12)	(12)	(12)										0,35		
3/4	12		12	12	12	5										2-3	0,50	
1	(10)		(10)	(10)	(10)	12											1,09	

► **NOTES**

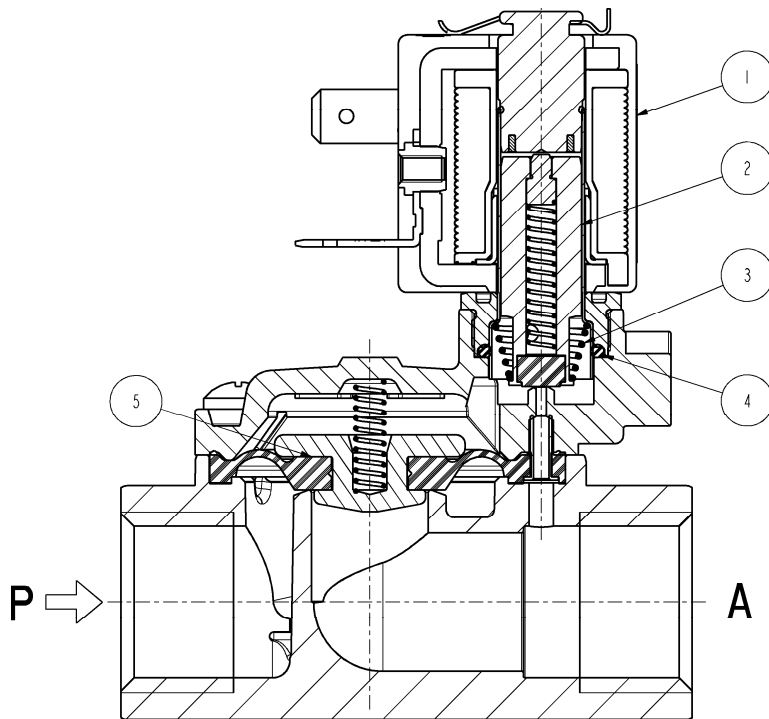
- Sealings: B(NBR) = Nitrile-butylene elastomer V(FPM) = Fluoro-carbon elastomer D(EPDM)=Ethylene-propylene elastomer (WRAS/KTW certified compound)
- Operation with gaseous media, at high pressure without any outlet restriction, can reduce the diaphragm life.
- On request coil in class H (ZB14A - see § "COIL")
- The bracketed values of Δp max are related to valves with FPM seals.
- 1 - Low power consumption coil on request ZB12C or ZB14C (3,5 VA in AC - 3W in DC): Δp max = 12 bar
- 2 - Low power consumption coil on request ZB12C or ZB14C (3,5 VA in AC - 3W in DC): Δp max = 8 bar
- 3 - L182D09 - L182D10: **WRAS** certified solenoid valves (certificate n. 1411048).

# L182

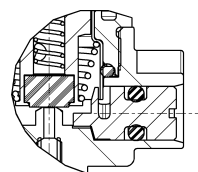
STAINLESS STEEL

► SPARE PARTS

## L182B-V-D-09



## L182B-V-D-10



**Kit description**

**Kit P.N.**

**Consisting of:**

Core kit

L182B-V  
L182D

G3138201  
G3138202

Core kit pos.2  
Core return spring pos. 3  
O-Ring guide assembly pos. 4

Diaphragm assembly

L182B | 3/8-1/2  
          | 3/4  
          | 1

2844305R  
298594-003R  
298592-003R

L182V | 3/8-1/2  
          | 3/4  
          | 1

2844309R  
298594-001R  
298592-001R

L182D | 3/8-1/2  
          | 3/4  
          | 1

2844308R  
298594-002R  
298592-002R

Diaphragm assembly pos.5

Coil

ZB12  
ZB14

Coil pos.1

► **INSTALLATION**

- Solenoid valve can be mounted in any position; vertical with coil upwards preferred.

THE VALIDITY OF REPORTED DATA IS REFERRED TO THE DATE OF ISSUE. POSSIBLE UPDATES ARE AVAILABLE ON REQUEST