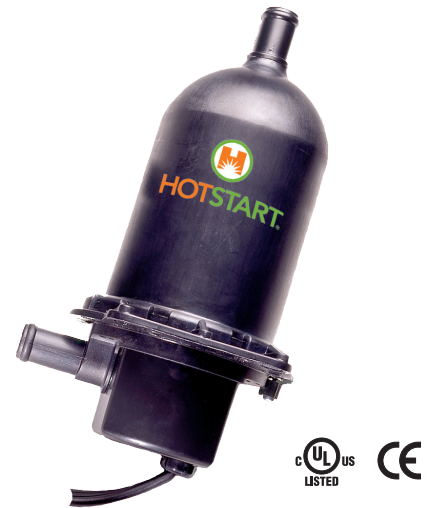
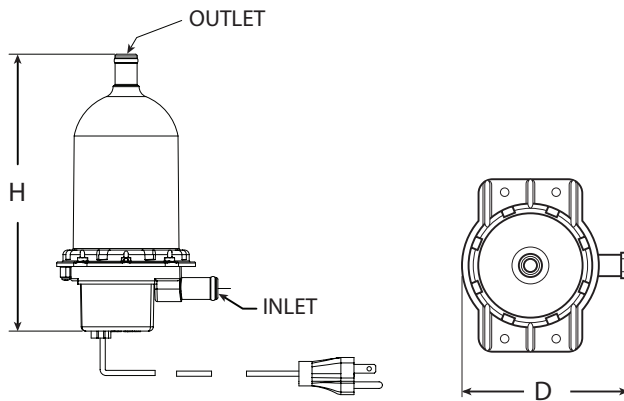


TPS Tank Style Engine Pre-heater

Simple to install and very lightweight, the HOTSTART TPS engine pre-heater features a built-in thermostat and heats engines up to 12L displacement. Thermosiphon circulation of the coolant delivers heat throughout the entire engine.



APPLICATION

The TPS engine pre-heater is designed to pre-heat diesel and gas engines in genset, heavy duty mobile equipment, marine and industrial applications.

SPECIFICATIONS

- Heating Fluid: Engine coolant
 - Heat Power: 0.5, 1.5, 1.8 and 2 kW*
 - Voltage Range: 120 and 240V
 - Fixed Thermostat: 100°-120°F (38°-49°C)
 - Heating Element: Incoloy 800
 - Enclosure: IP41
 - Fluid Capacity: 0.11 gal (0.42L)
 - Maximum Pressure: 90 psi (620 kPa)
 - Inlet/Outlet Plumbing: 0.625" (15.9mm)
 - Tank Material: Polyphenylensulfid PPS
- * 2kW available at 240V only

FEATURES

- UL-C/US listed
- CE compliant
- Various temperature settings available, including adjustable thermostat 90°-130°F (32°-54°C)
- Available with UL 120 or 240V plug or CE 240V plug

DIMENSIONS & WEIGHT

Height (H)	Depth (D)	Weight
7.9"	4.6"	1.7 lbs.
200mm	117mm	771 g