



Thermoplastic roller lever, side actuation

C



Thermoplastic roller lever with rubber gasket, side actuation

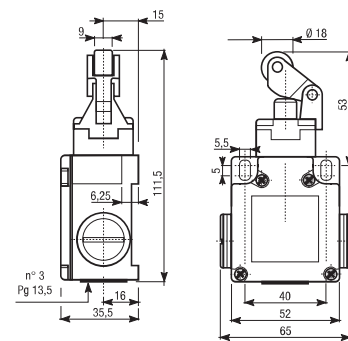
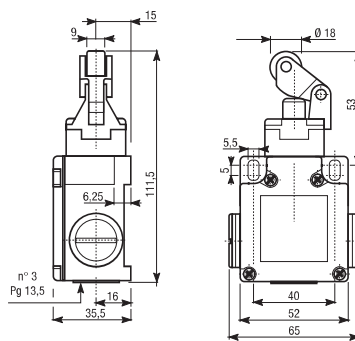
C•S1

Contact element		
1NO+1NC snap action 13 21 14 22	00	Zb
1NO+1NC slow action 21 13 22 14	01	Zb
1NO+1NC slow overlap. 25 17 26 18	02	Zb
2NO slow action 13 23 14 24	03	X+X
2NC slow action 11 21 12 22	04	Y+Y
2NC snap action 11 21 12 22	05	Y+Y
Weight	kg	
Pack	pcs	

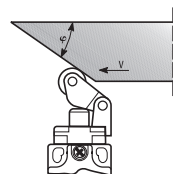
standard article

Cable entry				
PG 13,5	M20 x 1,5	Metal head	Metal head	Contact travel
Metal head	Metal body	Metal head	Metal body	
E30000CM	E30100CM			
E30001CM	E30101CM			
E30002CM	E30102CM			
E30003CM	E30103CM			
E30004CM	E30104CM			
E30005CM	E30105CM			
		0,325		
		1		

Cable entry				
PG 13,5	M20 x 1,5	Metal head	Metal head	Contact travel
Metal head	Metal body	Metal head	Metal body	
E30000CMS1	E30100CMS1			
E30001CMS1	E30101CMS1			
E30002CMS1	E30102CMS1			
E30003CMS1	E30103CMS1			
E30004CMS1	E30104CMS1			
E30005CMS1	E30105CMS1			
		0,325		
		1		



Drive cam operating parameters



φ	V max (m/s)
20°	1
30°	0,5

Drive forces	
Minimum command force	9 N
Minimum forced opening force	26 N