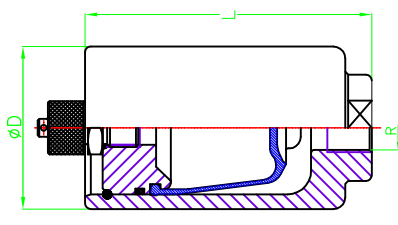


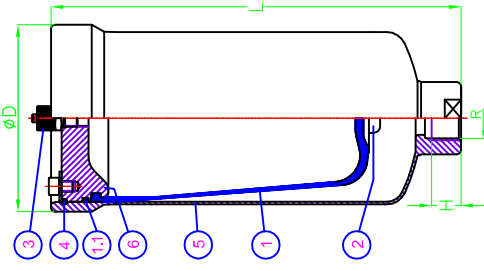
FOR HIGHER PRESSURES, SIZES, MATERIALS AND THREAD CONNECTIONS, PLEASE CONSULT

**ORDER EXAMPLE:** U015 A04 B 1 A1  
 Capacity: 1.5 litres  
 A04≐40bar  
 B= BUTYL Rubber Bladder  
 3/4" Standard Connection  
 Body & insert material: AISI 316L

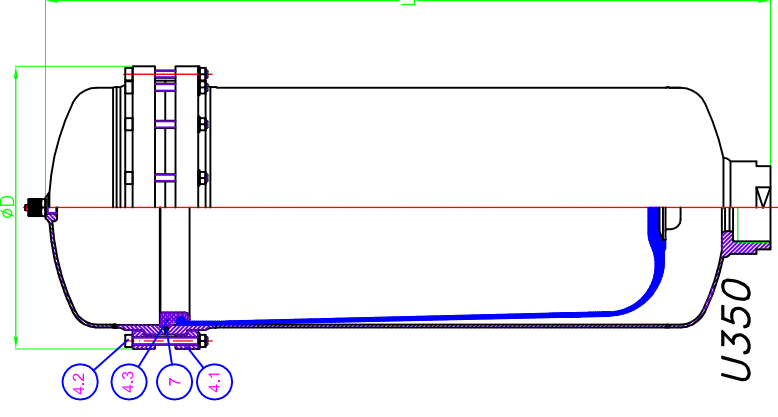
Wall thickness acc. to AD-2000 code



U000 to U003



U007 to U250



U350

H = MAXI. LENGTH OF THREAD CONNECTION

Standard Bladder Rubbers: N=NBR, B=BUTYL, E=EPDM, V=FKM

(Other Rubbers: Neoprene, Hypalon, HNBR, etc.)	N	B	E	V
Rubbers Max. Working Temperatures (°C)	+80	+100	+130	+200
	-15	-30	-30	-20

Working Temperature versus Working Pressures \*\*

For a temperature of	80°C	correspond design pressure x	0.87
" "	100°C	"	x 0.82
" "	130°C	"	x 0.78
" "	200°C	"	x 0.68

THE MAX. WORKING TEMPERATURE CAN BE REDUCED DEPENDING ON THE LIQUID IN CONTACT

Those Pulsation Dampers ought to be filled with gas at a value of 0.80x the pressure to stabilize and that at the working temperature

TOLERANCES:  
 External dimensions: ±3%  
 Volume: ±2.5% Weight: ±5%

Value of "K": Filling gas Pressure ≤ K (@Constant Temp.)

PULSATION DAMPER Reference	VOLUME (litres)	DESIGN PRESSURE (bar-g @20°C)	D (mm)	L (mm)	R (BSP)	H (mm)	WEIGHT (Kg)	K VALUE
U000	0.04	260	55	70	3/8"	14	0.8	
U001	0.09			97			1.0	2.5
U002	0.18	180	70	122	1/2"	16	1.8	
U003	0.36		85	168			3.6	3.0
U007	0.65	50	88	208	3/4"	20	2.5	3.5
U010	0.95	40	113	211		25	4.3	3.0
U015	1.50			256			4.6	3.5
U030	2.60	30	140	305	1"	27	5.3	
U040	3.80			405			5.7	5.0
U060	5.60	40	167	420	1-1/2"		10.0	
U100	10.40	30	217	432	2"	30	15.0	4.0
U150	15.00			645			19.2	5.0
U250	25.00	20	270	677	2-1/2"		26.0	4.0
U350	35.00		302	772			28.5	3.5

7	"O" RING	1	NBR, BUTYL, EPDM & FKM
6	COVER	1	AISI 316L
5	BODY	1	AISI 316L
4.3	RETAINING RING	1	AISI 316L
4.2	BOLTS & NUTS	14	DIN 912 & 934 A4-70
4.1	RETAINING RING	2	AISI 316L
4	RETAINING RING	1	DIN17224 (AISI 316)
3	INFLATING N <sub>2</sub> VALVE	1	AISI 316L (1/4" BSP)
2	INSERT	1	AISI 316L
1.1	"O" RING	1	NBR, BUTYL, EPDM & FKM
1	BLADDER	1	NBR, BUTYL, EPDM & FKM
No	DENOMINATION	QT.	MATERIALS

ATTENTION! ALWAYS MUST BE MOUNTED VERTICALLY (VALVE 3 ON TOP)

NOTE: The precharge with gas or air must be done slowly and with our charging tool Ref. BV160A1TM

<p><b>HIDRACAR SA</b>                  08243 MANRESA (BARCELONA) SPAIN                  Phone: 34.93.8330252                  E-mail: hidracar@hidracar.com</p>	Customer	Customer Ref.	Replaced Drg.N°	Drawn	Approved	
	Title	S.S.MEDIUM & LOW PRESSURE BLADDER PULSATION DAMPERS (standard units)	AV.AI.MP-BP.IN.DOC (Rev.20)	E.Ponsa		
			Drg.No	Rev.	Date	Scale
			AV.AI.MP-BP.IN.DOC	21	May-18	none