



- HV Adaptor for AC Insulation Guards and Transducers for use in Isolated Networks (IT-Net)
- Up to 25kV Line Voltage
- Creates safety barrier from live HT network to LV switchboard
- Limits measuring output signal to safe levels
- No restrictions on distance between adapter and LV switchboard

Specifications

3 phase connection:	
AR7	Up to 7,6kVAC
AR14	Up to 14kVAC
Neutral connection:	
AN7	Up to 7,6kVAC
AN14	Up to 14kVAC
AN25	Up to 25kVAC
Frequency:	40 to 400Hz
Temperature:	-10 to +54°C
Ingress Protection:	IP00
App. Weigth:	
AN7x	7,5kgs
AR7	8,5kgs
AN14x	15kgs
AR14	16,5kgs
AN25	23kgs
Internal Resistance:	
AN7 (old type)	5,1 Mohm
AN7B	1,65 Mohm
AR7	1,65 Mohm
AN14 (old type)	10 Mohm
AN14B	3,3 Mohm
AR14	3,3 Mohm
AN25 (oldtype)	10 Mohm
AN25B	3,3 Mohm

Description

Voltage adaptors ARx or ANx are used together with insulation Guard KPM165x and KCM165x or insulation transducer MCM165x, for monitoring of line voltage from 0-25kV.

The adapters are a passive low-pass filter for use in 50, 60 or 400Hz networks, and is potted in polyurethane.

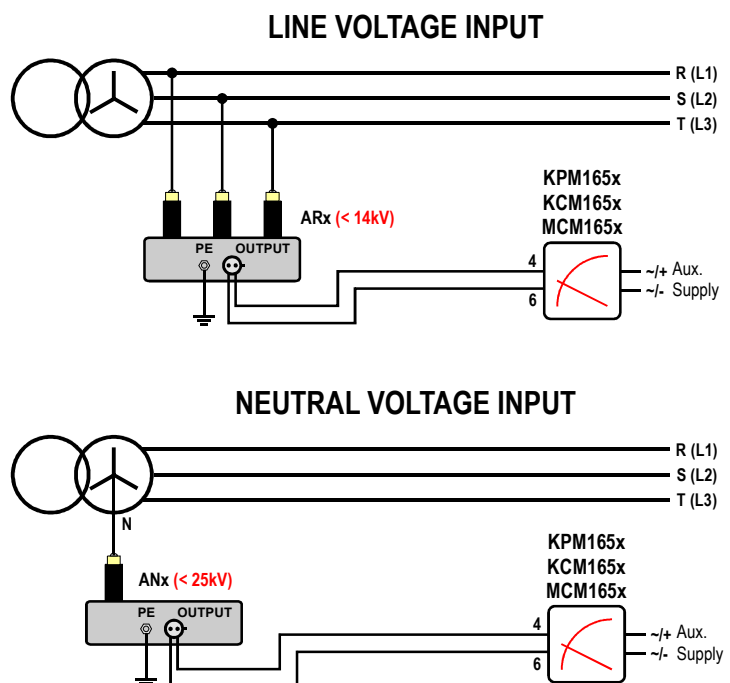
The unit includes high inductance reactance modules, connected in a special configuration to avoid DC saturation. The Adapters maintains a high AC suppression of its signal output to very low, safe levels, under all conditions.

Alternative connections to the AC network are shown below. Connection to the star-point (Neutral) is preferable.

Caution

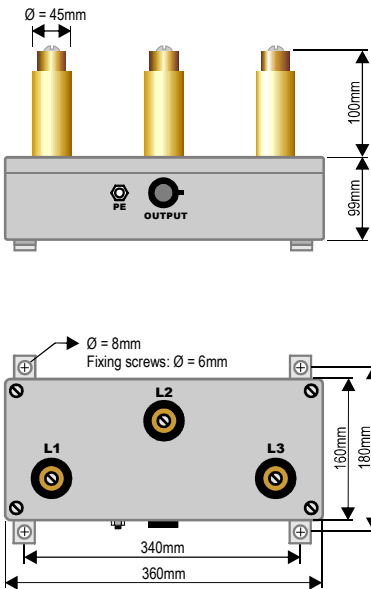
HT-terminals must be disconnected during "megger" test.

Principle connection

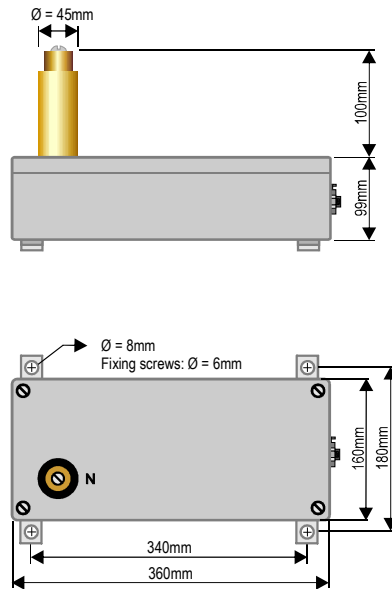


Dimension and mounting

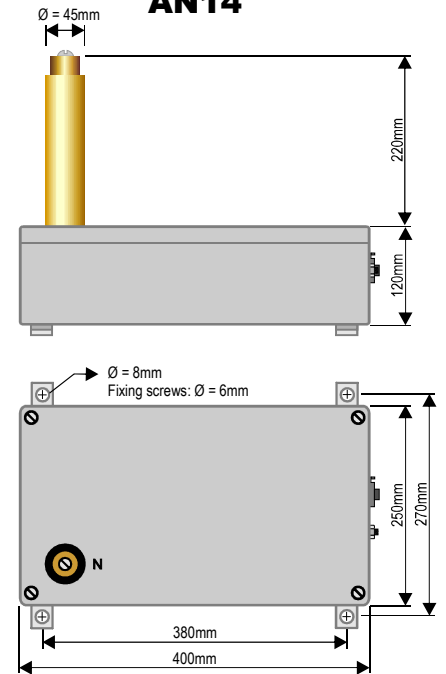
AR7



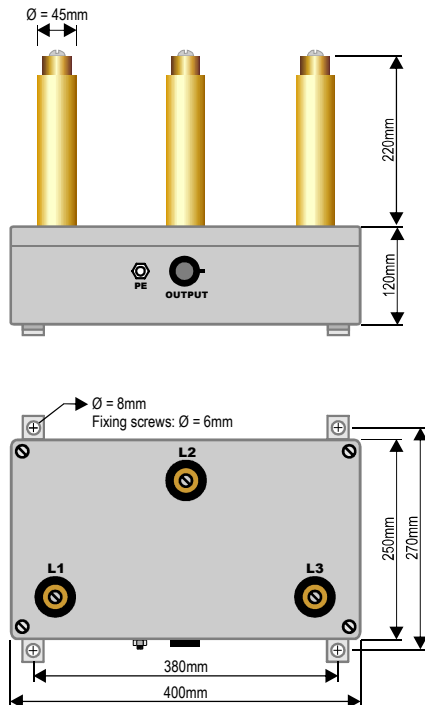
AN7



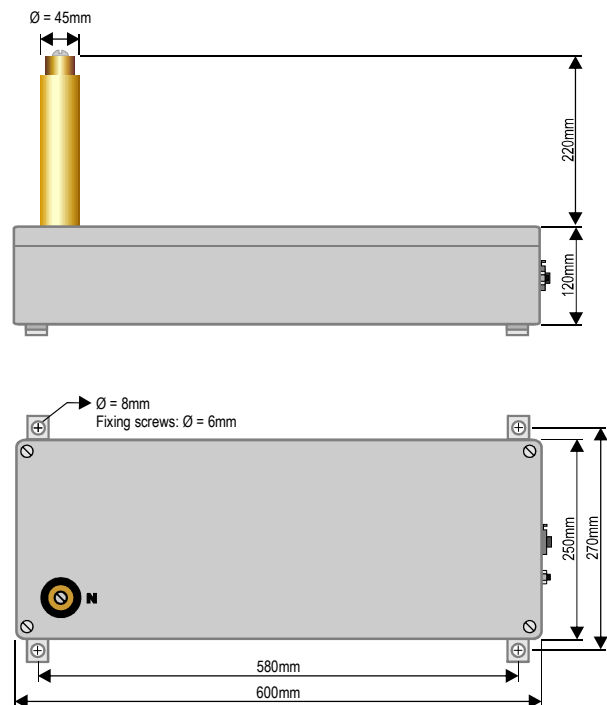
AN14



AR14



AN25



The MEGACON policy is one of continuous improvement, consequently equipment supplied may vary in detail from this publication.

ORDERING INFORMATION

Product type :
 Network voltage :
 Example : AR14, 6000 VAC

