

DATASHEET – SINWAN S119AP



·AC· S119AP



120x120x38.5mm/4.7x1.5inch 125 CFM

Sinwan Plastic Impeller Tubeaxial Fan

Model No	Rated Volt	Voltage Range	Freq	Input Power	Ref. Speed	Max.Airflow		Max.Static Pressure	
	VAC	VAC	Hz	Watt	RPM	CFM	m3/min	Inch/H2O	mm
S119AP-11-1**	115	100~120	50/60	16/14	2600/3050	106/125	3/3.5	0.30/0.32	7.62/8.13
S119AP-11-2**	115	100~120	50/60	12/10	2200/2000	88/80	2.5/2.3	0.22 /0.19	5.59/4.83
S119AP-11-3**	115	100~120	50/60	9/7	1900/1400	78/57	2.2/1.6	0.19/0.13	4.83/3.3
S119AP-11-3 (33)**	115	100~120	50/60	9/7 (~6)	1000/900	43/41	1.2/1.2	0.11/0.1	2.79/2.54
S119AP-22-1**	230	200~240	50/60	16/14	2600/3050	106/125	3/3.5	0.30/0.32	7.62/8.13
S119AP-22-2**	230	200~240	50/60	12/10	2200/1900	88/78	2.5/2.2	0.22 /0.18	5.59/4.57
S119AP-22-3**	230	200~240	50/60	9/7	2000/1500	80/60	2.3/1.7	0.20/0.15	5.08/3.81
S119AP-22-3 (33)**	230	200~240	50/60	9/7 (~6)	1200/800	43/41	1.2/1.2	0.11/0.1	2.79/2.54
S119AP-11/22-1**	115	100~120	50/60	16/14	2650/3050	106/125	3/3.5	0.30/0.32	7.62/8.13
dual voltage	230	200~240							
S119AP-4-1**	24	24~28	50/60	16/14	2600/3050	106/125	3/3.5	0.30/0.32	7.62/8.13
S119AP-4-2**	24	24~28	50/60	12/10	2250/1900	89/78	2.5/2.2	0.22/0.18	5.59/4.57
S119AP-38-1**	380	380~420	50/60	16/14	2500/2600	103/108	2.9/3.1	0.28/0.29	7.11/7.37
S119AP-44-1**	440	440~480	50/60	16/14	2600/3000	106/123	3/3.5	0.3/0.32	7.62/8.13

- ** = "WB" for wire lead type Ball bearing, or "TB" for terminal type Ball bearing
- 100, 200, 240V or special voltages 12, 24, 28, 38, 42, 48, 380~440~480... 50/60Hz, & dual voltage version available on request.
- Dual speed High/Medium 1/2, High/Low 1/3, Medium/Low 2/3, Low/extra Low 3/4 or triple speed 1/2/3 available on request.
- Sinwan reserves the right to change data and improve electrical or mechanical design without notice, data tolerance +-10%

Motor
 Motor Type: Shaded pole induction, inner rotor, 1-phase

Burnout Protection: Impedance protected

IP Protection: -

Mechanical
 Frame: Aluminum die cast, black(S119AP)

Impeller: 7 blades, glass fiber reinforced plastic, rated UL94V-0

Bearing: Two ball bearings. or sleeve bearing

Rotation: CCW seen on rotor

Connection: Wire leads, terminal flat pin

Weight: 600g (1.3 Lbs)

Electronical
 Dielectric Strength: Over 1 min.at 1,500 VAC, 0.5mA, 50/60 Hz

Insulation Resistance: Over 100 MΩ at DC 500V

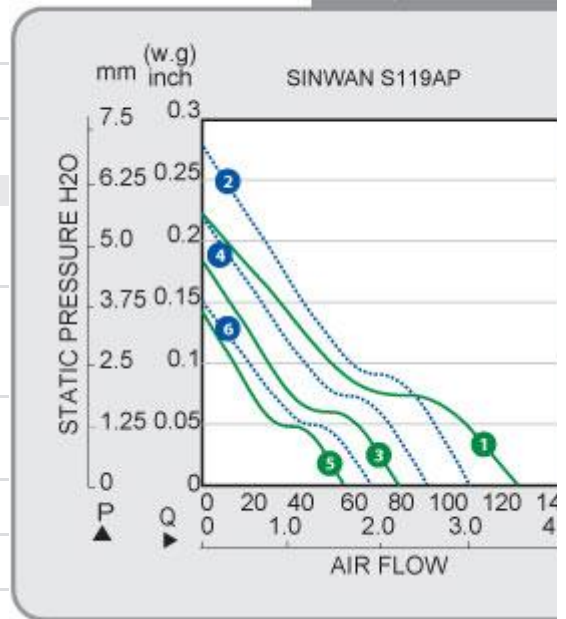
Signal Output:

Environment
 Operating Temp: Non-condensing ball bearing (-20C~+70C), sleeve (-10~+40C)

Storage Temp: -40C~+100C (at 65%RH)

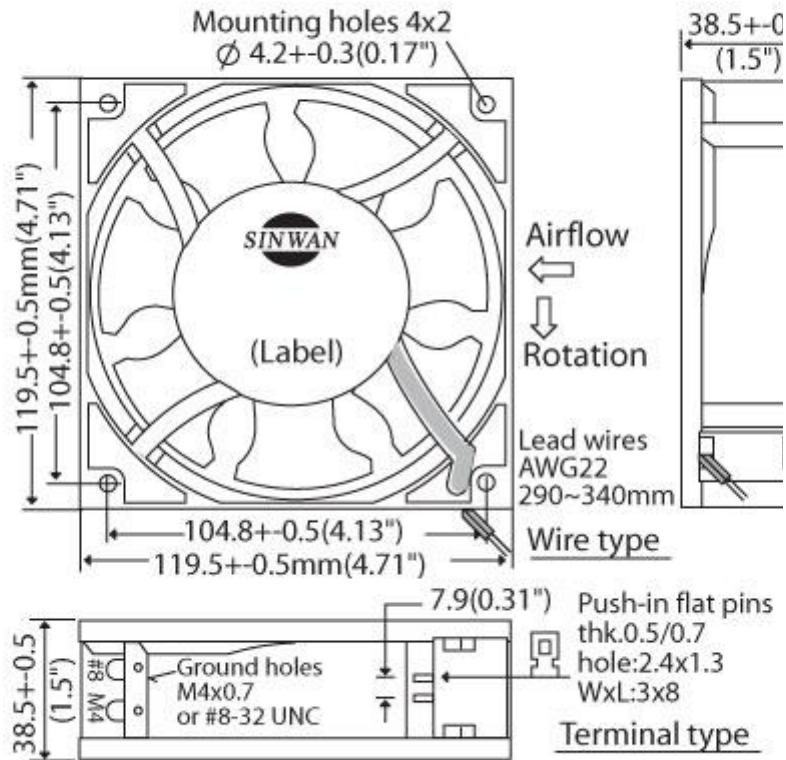
Life Expectancy: Ball bearing 80K hours at 45C, 40K hours at 60C

▶ Performance P



- 
 Nomenclature
- 
 Dual Voltage
- 
 Multiple Speed

► Outline Dimensions



Relevant products



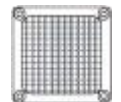
Metal Fan Guard
 G109-15A, G109-15B, G109-17



Plastic Fan Guard
 G119P2, G119P4,
 G120P, G120P2,
 G120P25F, G120P4



Plastic Fan Filter
 GRM120-30,
 GRM120-45



Metal Fan Screen
 MF120S-30N

