

RUBBER EXPANSION JOINT WITH SWIVEL FLANGES

DI 7240 N

Ref. : DI 7240N

Rev. : B

Date : 13/01/2016



PA Ventiler AB

GO WITH OUR FLOW

APPLICATION

Expansion joint.

GENERAL CHARACTERISTICS

EPDM rubber bellow.
Zinc-plated steel flanges drilled ends - PN10 / PN16 (DN32-150),
PN10 (DN200-600).

Movement :

- Axial compression,
- Axial extension,
- Lateral movement.

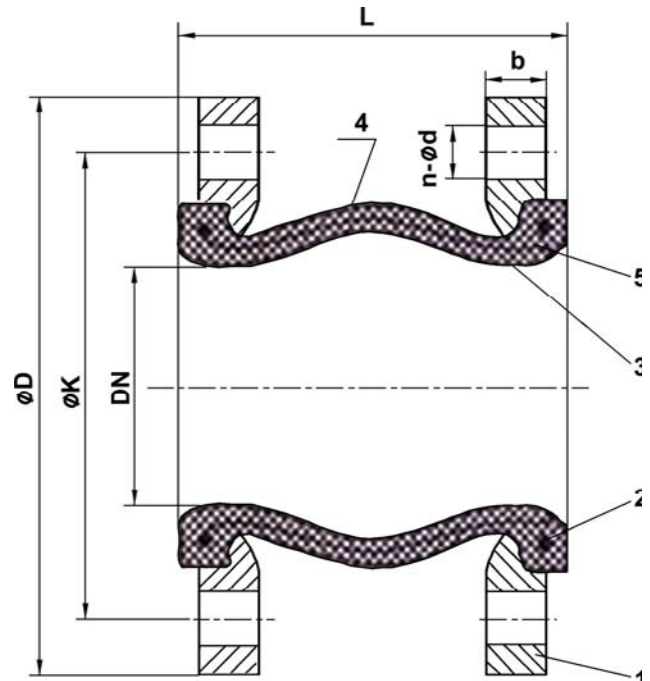
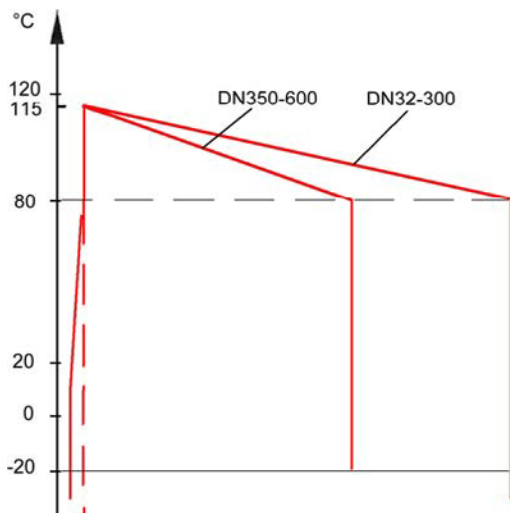
CONSTRUCTION

5	1	Reinforcement	Nylon tyre cord
4	1	External bellow	EPDM
3	1	Internal bellow	EPDM
2	2	Reinforced wire	Steel
1	2	Flange	Zinc plated steel
Pos.	Q-ty	Description	Material

DIMENSIONS

DN		L	ØK	n x Ød	ØD	b	Lc	Le	Li	A°	Weight (kg)
mm	inch										
32	1" 1/4	95	100	4 x Ø18	140	15	10	6	10	25	2,83
40	1" 1/2	95	110	4 x Ø18	150	15	10	6	10	25	3,49
50	2"	105	125	4 x Ø18	165	15	10	6	10	25	4,08
65	2" 1/2	115	145	4 x Ø18	185	15	15	8	12	25	5,05
80	3"	135	160	8 x Ø18	200	17	15	8	12	25	6,15
100	4"	135	180	8 x Ø18	220	17	20	12	16	15	7,01
125	5"	165	210	8 x Ø18	250	19	20	12	16	15	9,5
150	6"	180	240	8 x Ø23	285	21	20	12	16	15	12,2
200	8"	205	295	8 x Ø23	340	21	20	12	16	15	16,3
250	10"	240	350	12 x Ø23	395	23	30	14	25	8	24,2
300	12"	260	400	12 x Ø23	445	23	30	14	25	8	29,6
350	14"	265	460	16 x Ø23	505	25	30	14	25	8	39,5
400	16"	265	515	16 x Ø27	565	25	30	14	25	8	46,12
450	18"	265	565	20 x Ø27	615	25	30	14	25	8	57,7
500	20"	265	620	20 x Ø27	670	27	30	14	25	8	61,03
600	24"	265	725	20 x Ø30	780	27	30	14	25	8	72,8

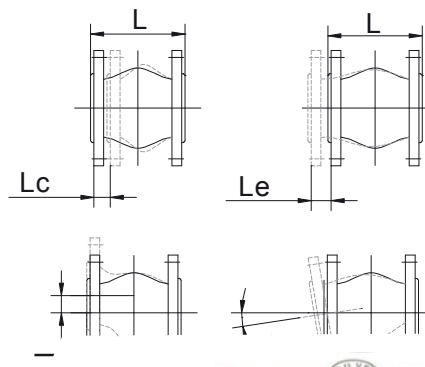
WORKING CONDITIONS



STANDARDS

Pressure test according to standards EN 12266-1, DIN 3230, BS 6755 and ISO 5208.

Flanges drilled according to standards EN 1092-1 ISO PN10/16 (DN32-150), PN10 (DN200-600).



Lc : Compression axiale
Le : Elongation axiale
Li : Mouvement latéral

