

KÄRCHER/KEOFITT ADAPTOR

ART. NO. 550057

GENERAL



KEOFITT has the widest selection of spare parts and accessories to complete your sampling system



To be used with KÄRCHER steam cleaner with min. 3,2 bar steam pressure and with detail nozzle (art. no. 2.884-281.0). Visit www.karcher.com to find your local dealer.

FEATURES



Connection: M4/W9 hose piece / Kärcher

CERTIFICATION

· O-ring: FDA

TECHNICAL DATA

Materials

· Steel parts AISI 316L (1.4404)
· O-ring Silicone

Surface

· Outside Electropolished
· Inside -

Pressure & Temperature

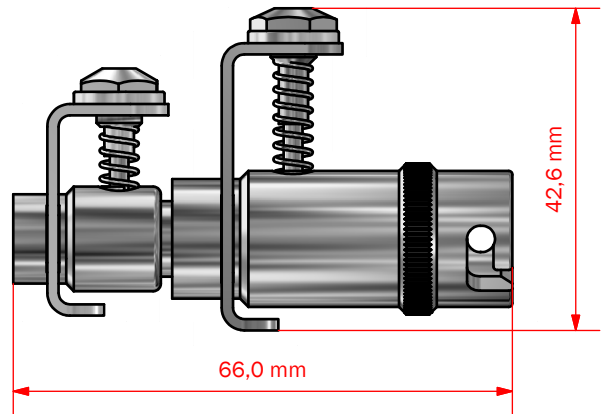
· Pressure 0 - 2 bar (g) / 0 - 29 psi (g)
· Temperature 1 - 130°C / 34 - 266° F

Net Weight

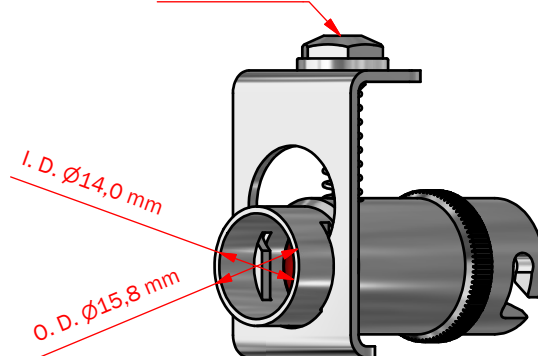
· Kg/lbs 0,100 kg / 0,33 lbs

Spareparts

800830 O-ring
-
-



W9 Connection



M4 Connection

