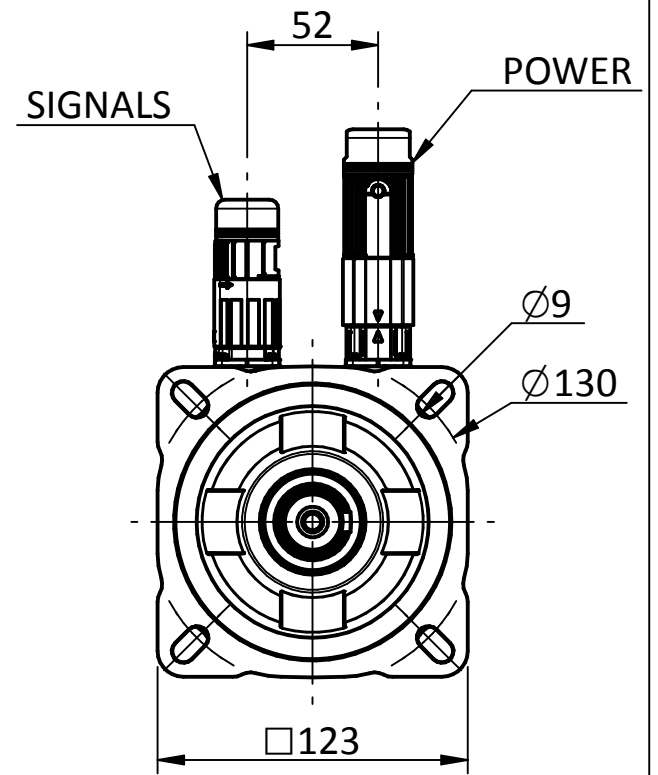
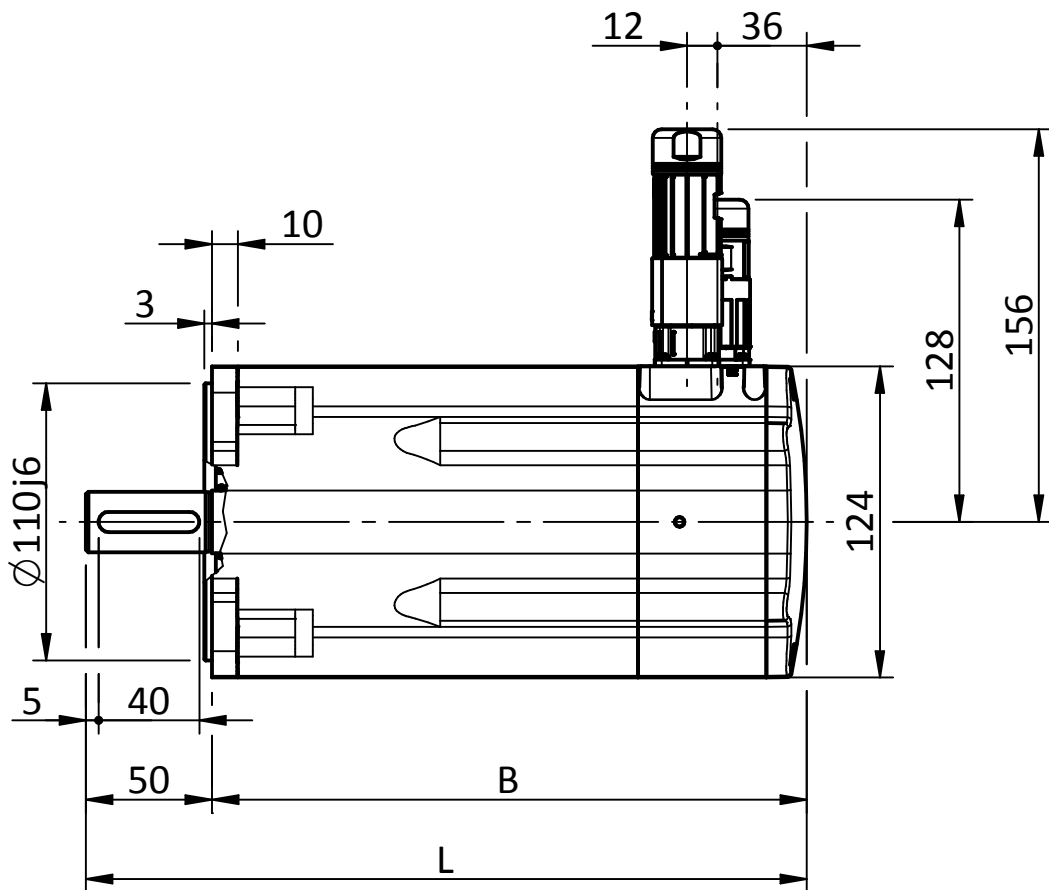
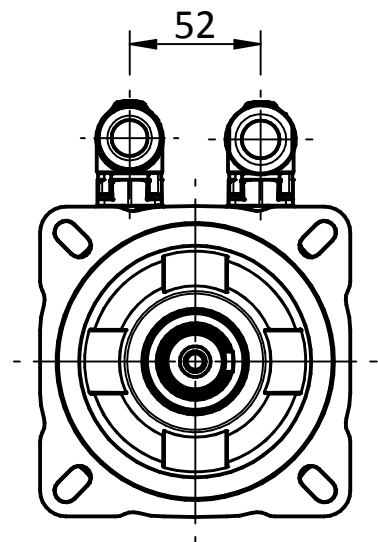
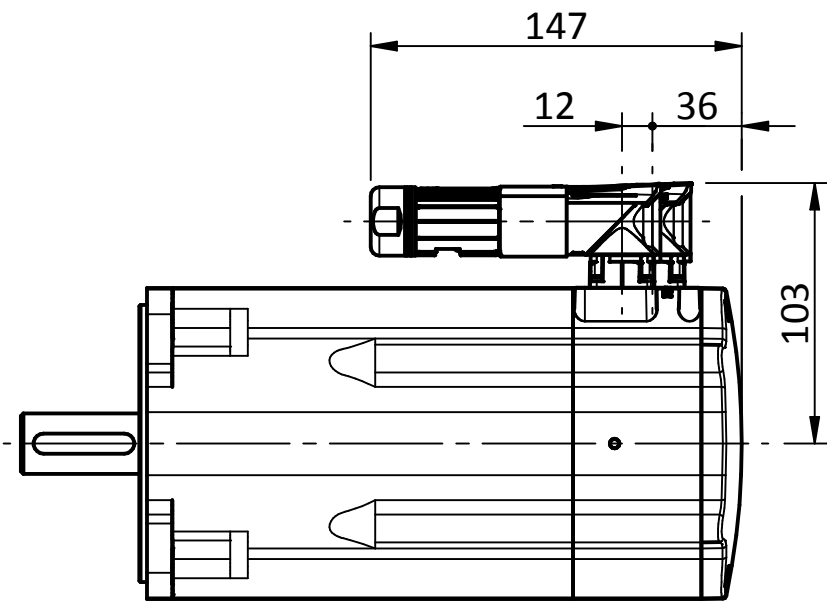


**VERSION B: STANDARD EXECUTION**

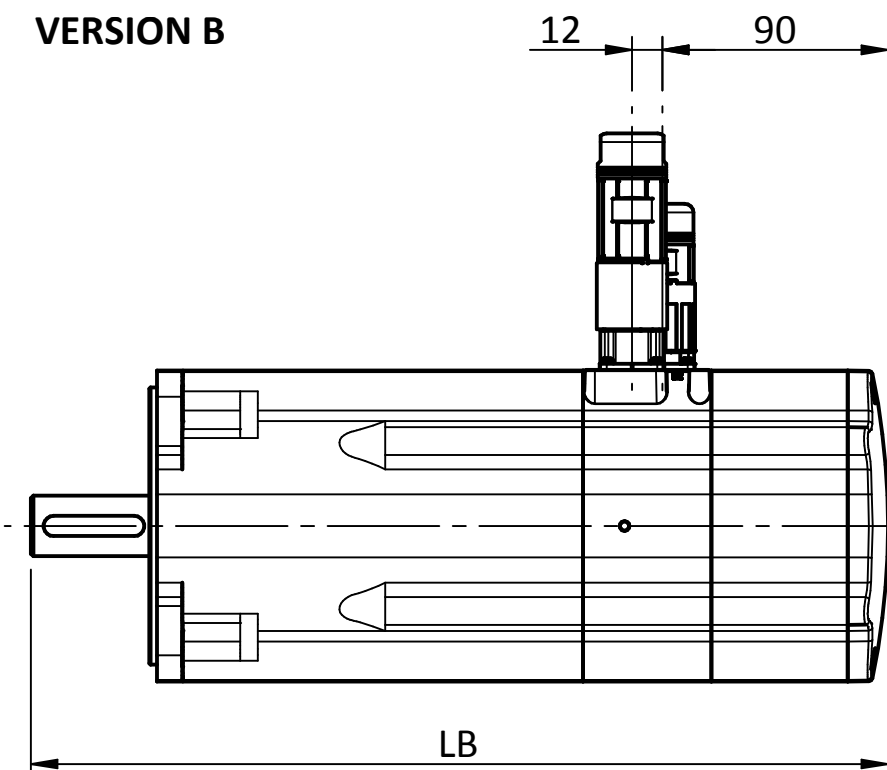


**VERSION D: MOTOR WITH ROTATABLE RIGHT ANGLE CONNECTORS**

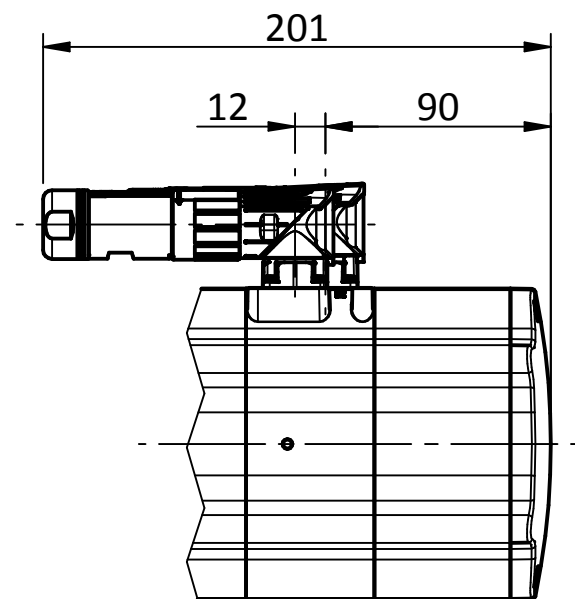


**MOTOR WITH BRAKE**

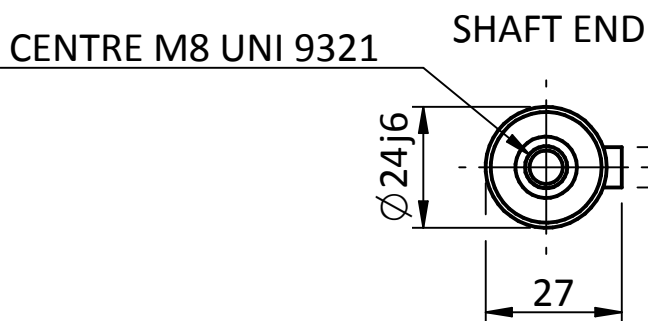
**VERSION B**



**VERSION D**



Motor	B	L	LB
NGBe123 S	183	233	287
NGBe123 M	210	260	314
NGBe123 L	236	286	340



A	21.12.15				AGGIORNATO DISEGNO
Rev.	Date	Created	Checked	Approved	Description
Quote senza indicazione di tolleranza: Dimensions without tolerance indication:					Replaces the
					Replaced by
					Scale 1:1
					Material
					Peso/Weight /
 via del Lavoro, 7 - 36054 Montebello Vicentino (VI) - ITALY		Description <b>OVERALL DIMENSIONS NGBe123 STD</b>			
A termini di legge è rigorosamente vietato riprodurre o divulgare a terzi il contenuto del presente disegno. Under the terms of the law it is strictly forbidden to reproduce or disclose the contents of this drawing.		Date	Firma/Sign	Size	Drawing code
Created	10/06/2015			A3	000003182
Checked	10/06/2015				A
Approved	10/06/2015				FILE: Y:\Altro\Ingombri cataloghi\NGBe\NGBe123\3182.dft