

## 1" VALVES



# SCREW - SHORT INLET (B1)

## AE1825B1 With Pilot group

The classic 90° valve with female thread



### PRODUCT CERTIFICATIONS

STANDARD



OPZIONALI



### VALVE TECHNICAL FEATURES

Features	Values
Out	1" Gas
In	1" Gas
Working Pressure	1,5-8 bar
Standard Temperature Range	-40 °C ; +100 °C
High Range Temperature	-20 °C ; +200 °C
Kv	24 m <sup>3</sup> /h
Weight	0.6 kg
Protection Level	IP65

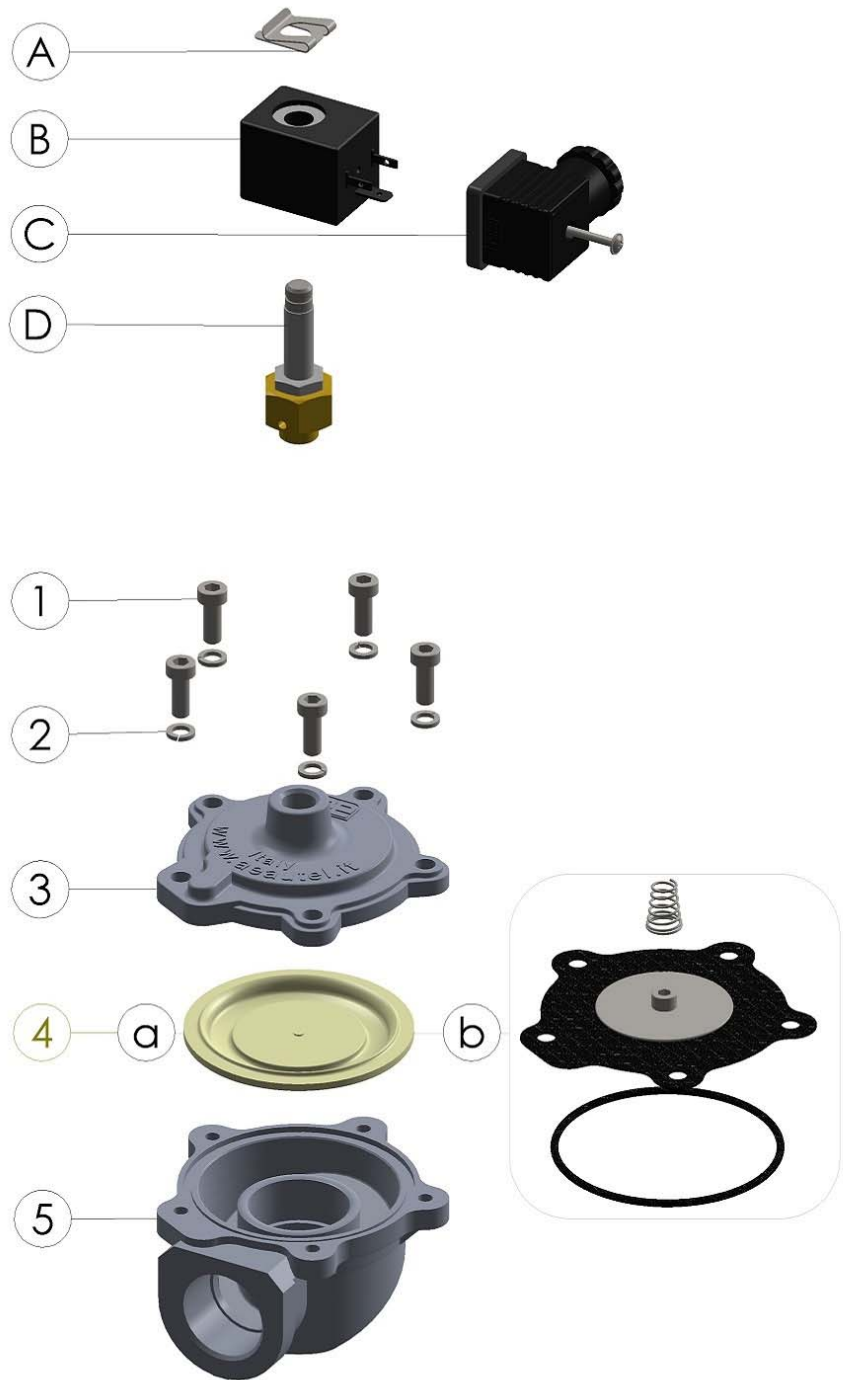
**VALVE TECHNICAL FEATURES**

Features		Values
Air quality classes ( ISO 8573-1)	For Solid	2
	For Water with $T > +3^{\circ}\text{C}$	4
	For Water with $-20^{\circ}\text{C} < T < +3^{\circ}\text{C}$	3
	For Water with $-40^{\circ}\text{C} < T < -20^{\circ}\text{C}$	2
	For Oil	1

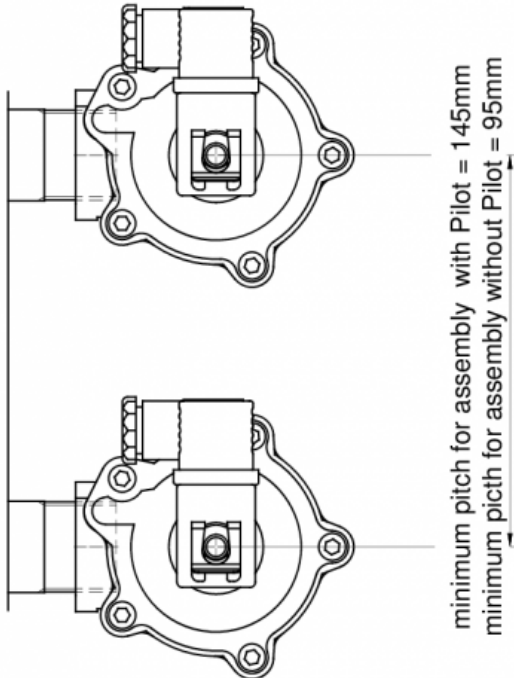
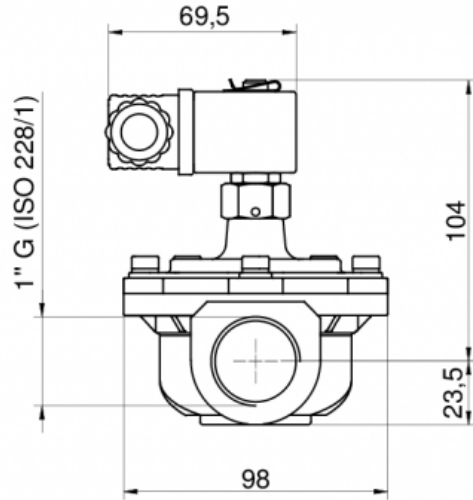
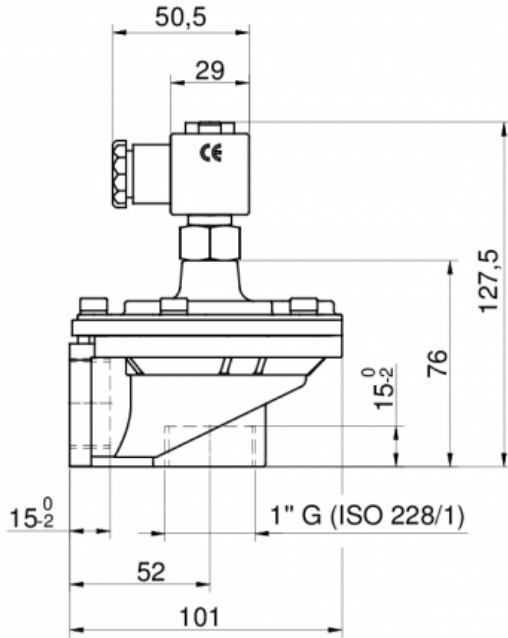
PARTS LIST

No.	Description	Material
A	Clip	CS Galvanized
B	Coil	PA
C	Connector	PA + NBR
D	Pilot	SS + Brass
1	Screw M6	SS
2	Washer	SS
3	Cover 1"	Die Cast Alu
4b	STD Diaphragm 1"	TPE
4b	HT Diaphragm 1" Kit	VITON+PTFE
5	Body 1" Screw	Die Cast Alu

Immagine



DIMENSIONAL LAYOUT



minimum pitch for assembly with Pilot = 145mm  
 minimum pitch for assembly without Pilot = 95mm

**CONSUMPTION GRAPHS**

