

MACP401 series

AIR UNITS (F.R.L.UNIT)

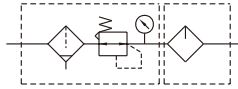


mindman



Option: MP41

Symbol



Specification

Model	MACP401		
Components	MAFR401, MAL401		
Bore No.	8A	10A	15A
Port size	1/4	3/8	1/2
Medium	Air		
Operating pressure range (※)	0.05~1.5 MPa		
Proof pressure	2 MPa		
Regulated pressure range	Standard type: 0.1~0.85 MPa		
	High pressure type: 0.1~1.5 MPa		
Ambient temperature	-5~+60°C (No freezing)		
Filter element	Standard: 40 μm Option: 5 μm		
Lubricating oil capacity	200c.c		
Min. Flow for oil drip	30 ℓ/min	65 ℓ/min	80 ℓ/min
Recommended lubricating oil	Turbine oil ISO-VG32		
Attachment	Pressure gauge(PG-20), L-type bracket		
Weight	1518 g		

※ 1. Standard unit contains semi-auto-drain function when operating pressure below 0.05 MPa.

※ 2. Choose auto-drain FMRF300, the pressure range is 0.15 ~ 1 MPa.

Order example

MACP401 - 8A - □ - E1 - □ - T8 - □

MODEL

BORE SIZE

8A : 1/4
10A : 3/8
15A : 1/2

FILTER ELEMENT

Blank : 40 μm
5μ : 5 μm

PORT THREAD

Blank: Rc thread
G: G thread
NPT: NPT thread

PRESSURE SWITCH ※2

E1: MP41P-02
E2: MP41P-02-QD
E3: MP41P-02-J
E4: MP41P-02-QD-J
E5: MP41P-04
E6: MP41P-04-QD
E7: MP41P-04-J
E8: MP41P-04-QD-J

BY-PASS BORE SIZE

T type bracket	T8 : 1/4 T10 : 3/8 T15 : 1/2
Check valve ※3	K8 : 1/4 K10 : 3/8

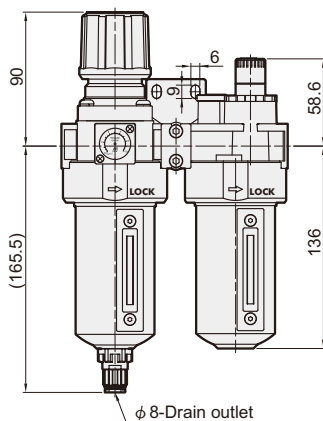
Blank: Standard type
C : External pressure gauge (PG-40)
D : Auto drain valve (FMRF300)
H : High pressure type
(Required with external pressure gauge PG-40) ※1
P : Pressure switch (MPS series)

※ 1. (H) High pressure type can not choose with auto drain valve (FMRF300) when operating pressure over than 1 MPa.

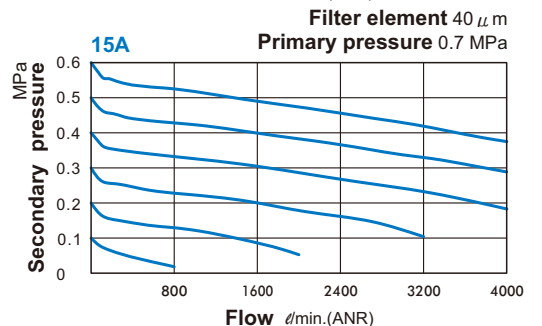
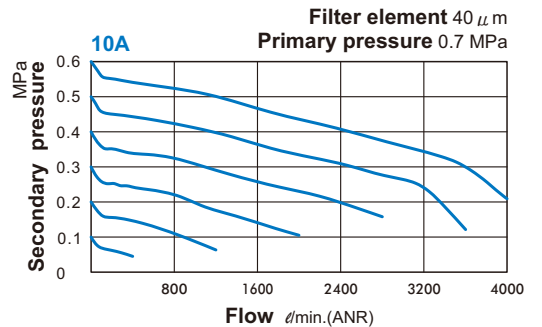
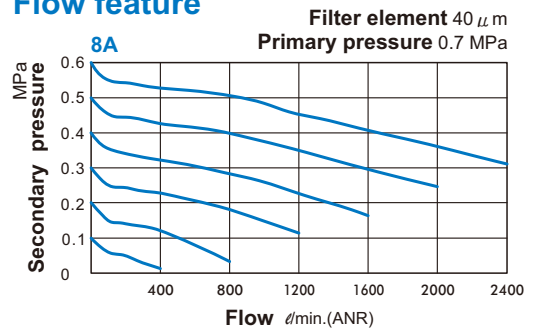
※ 2. Refer to page E-13 for the option of digital pressure switch MP41.

※ 3. Be sure to use above check valves when redirecting the air flow on the inlet side of the lubricator.

MACP401-D Auto drain valve



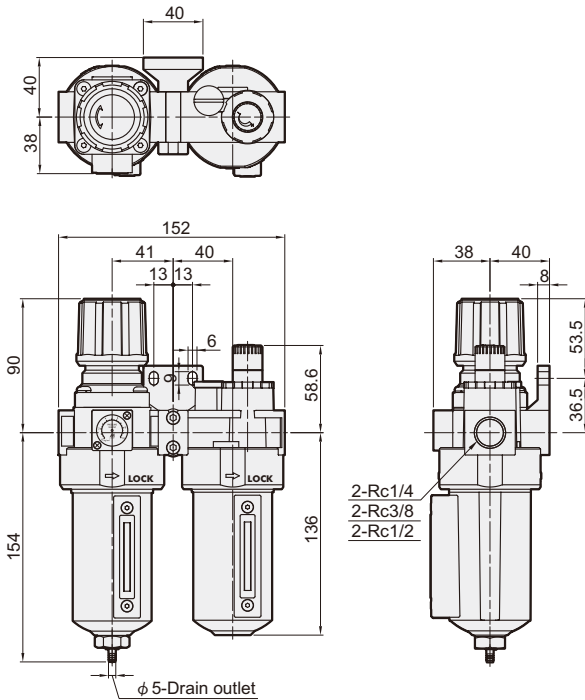
Flow feature



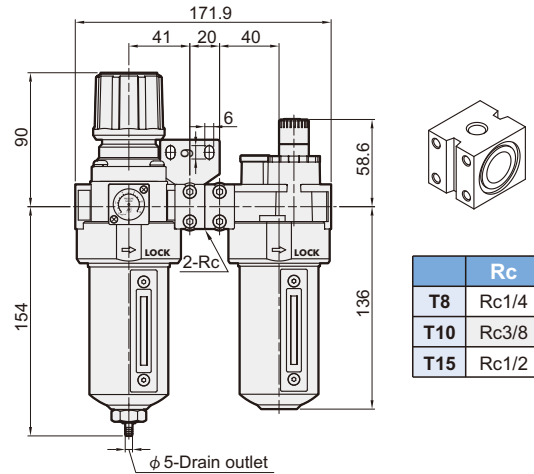
mindman

MACP401 Dimensions

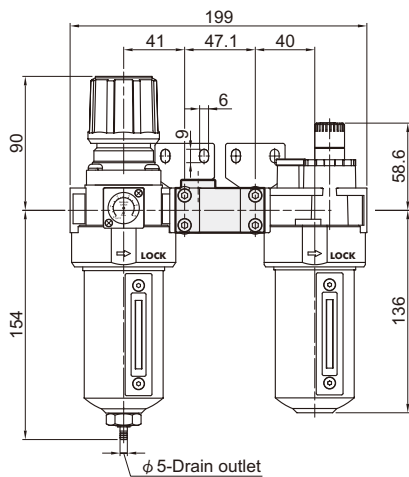
AIR UNITS (F.R.L.UNIT)



MACP401-T*

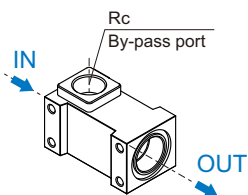
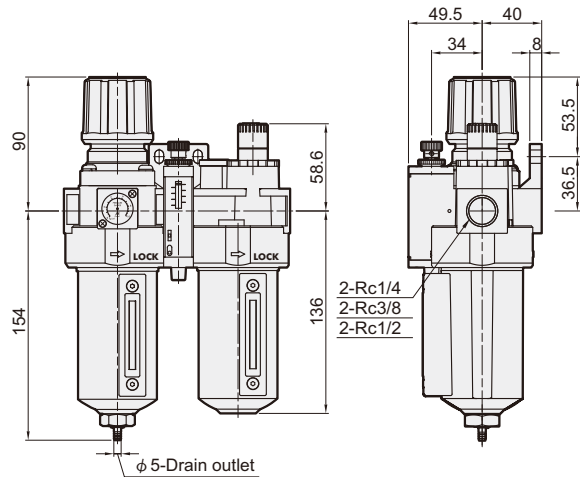


MACP401-K*



MACP401-P

MPS Series
pneumatic pressure switch



	Rc
K8	Rc1/4
K10	Rc3/8

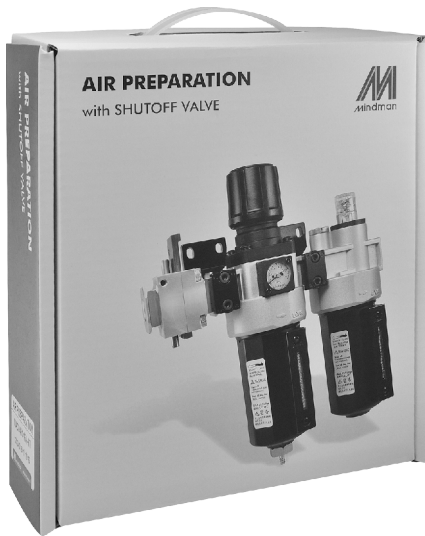
※ Threads for IN and OUT ports aren't machined.

MACP401-HT With shutoff valve

AIR UNITS (F.R.L.UNIT)



Mindman



Order example

MACP401 – 8A – D – E1 – □ – HT – □

MODEL

BORE SIZE

8A: 1/4
10A: 3/8
15A: 1/2

PRESSURE SWITCH

E1: MP41P-02
E2: MP41P-02-QD
E3: MP41P-02-J
E4: MP41P-02-QD-J
E5: MP41P-04
E6: MP41P-04-QD
E7: MP41P-04-J
E8: MP41P-04-QD-J

FILTER ELEMENT

Blank: 5 μ m
40u: 40 μ m

PORT THREAD

Blank: Rc thread
G: G thread
NPT: NPT thread

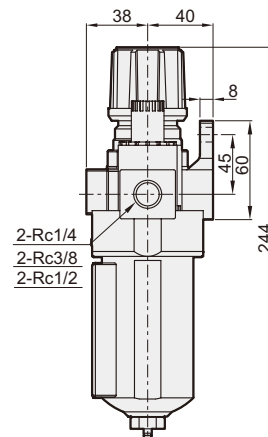
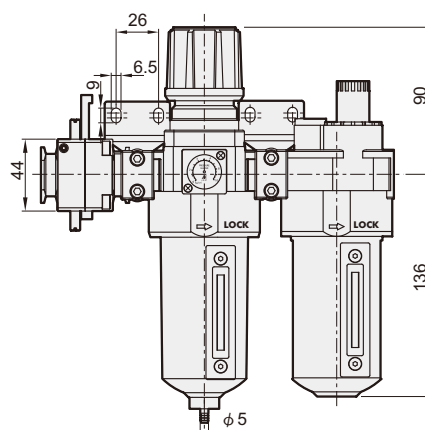
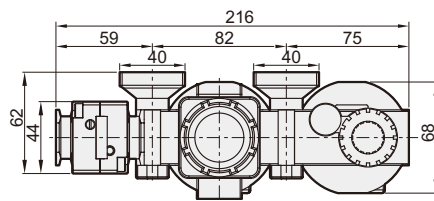
SHUTOFF VALVE

HT: MVHT-400-3H

Blank: Standard type
C: External pressure gauge (PG-40)
D: Auto drain valve (FMRF300)
H: High pressure type (Required with external pressure gauge PG-40)
P: Pressure switch (MPS series)

※ Refer to page E-13 for the option of digital pressure switch MP41.

※ (H) High pressure type can not choose with auto drain valve (FMRF300) when operating pressure over than 1 MPa.



Mindman