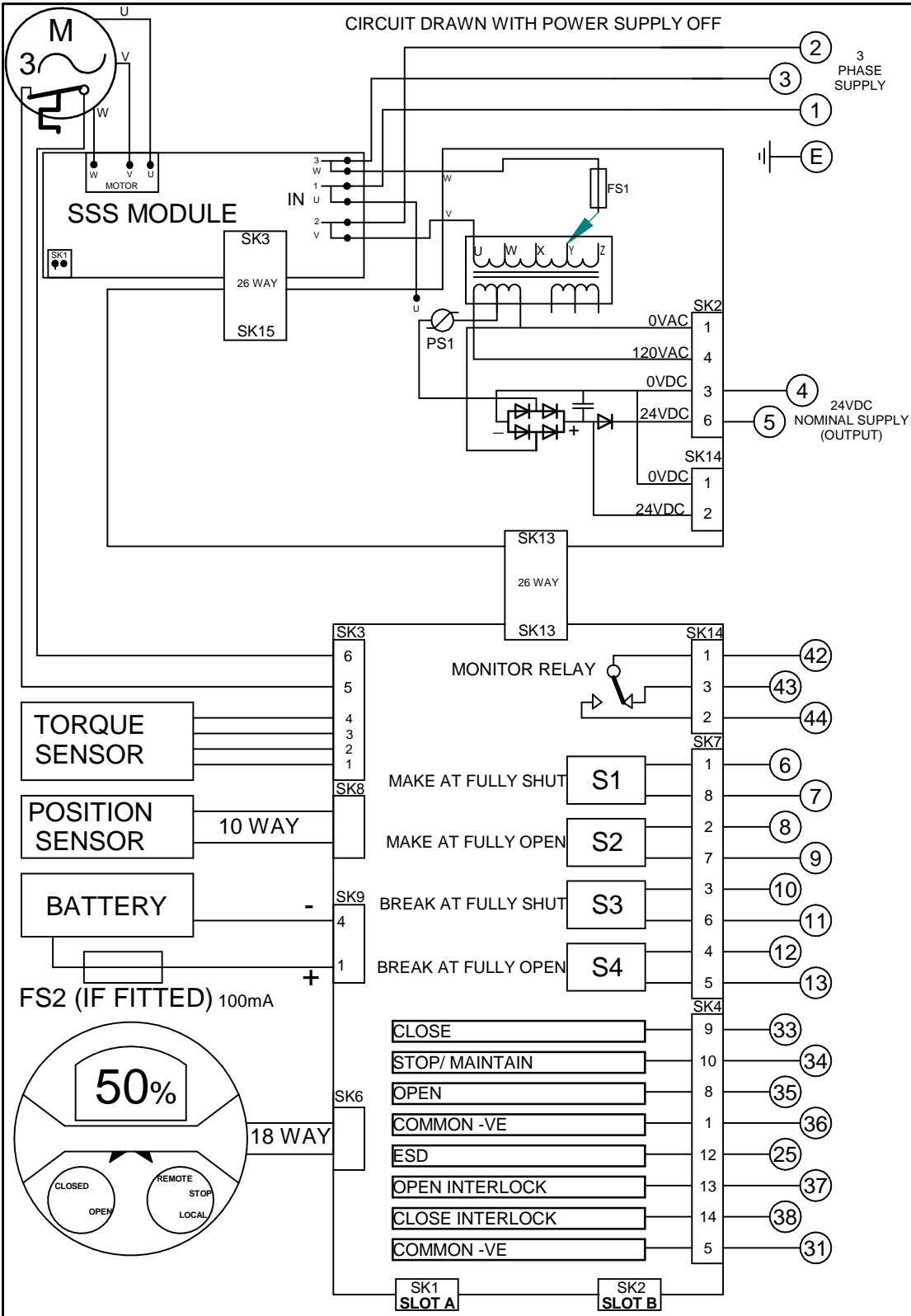


CIRCUIT DRAWN WITH POWER SUPPLY OFF

FOR TYPICAL REMOTE CONTROL
DETAILS, SEE DOCUMENT
RWS102

| TRANSFORMER TAPPING OPTIONS | |
|-----------------------------|-----------------|
| Tap | Nominal 50/60Hz |
| TYPE 1 | |
| W | 220/230 |
| X | 380/400 |
| Y | 400,415/420 |
| Z | 440/460 |
| FUSE FS 1=250mA ANTI-SURGE | |
| TYPE 2 | |
| W | 346/380 |
| X | 480/500 |
| Y | 240/240 |
| Z | 550/575 |
| FUSE FS 1=250mA ANTI-SURGE | |



REFER TO SHEET 2 FOR NOTES
& OPTION PCB'S IF FITTED

THE ACTUATOR MUST BE
PROTECTED USING SUITABLY
RATED HIGH SPEED
SEMI-CONDUCTOR FUSES ON THE
INCOMING SUPPLY.
SUGGESTED FUSES :-
IQ10-20:10 Amp FERRAZ G330010
IQ25-35:20 Amp FERRAZ K330013
ALTERNATIVES =
IQ10-20:10 Amp SIBA 50-179-06/10A
IQ25-35:20 Amp SIBA 50-179-06/20A
OR EQUIVALENT PROTECTIVE
DEVICE.

| Iss | Date | Chkd | Revision Details |
|-----|--------|------|---|
| 2 | 031012 | PMJ | NOTE 2 UPDATED. |
| 3 | 100113 | PMJ | Re-track of the 24V DC pion of SK14 to behind the diode. |
| 4 | 230614 | MR | 400v added to type 1 tapping Y. Note added to sheet 2 note 1. |
| 5 | 130616 | PW | Updated notes on page 2. |

www.rotork.com

ROTORK CONTROLS LTD
BATH, BA1 3JQ
ENGLAND
Tel:01225-733200

ROTORK CONTROLS INC
ROCHESTER
NY 14624, USA
Tel:585-247-2304

IQM + FOLOMATIC + CPT

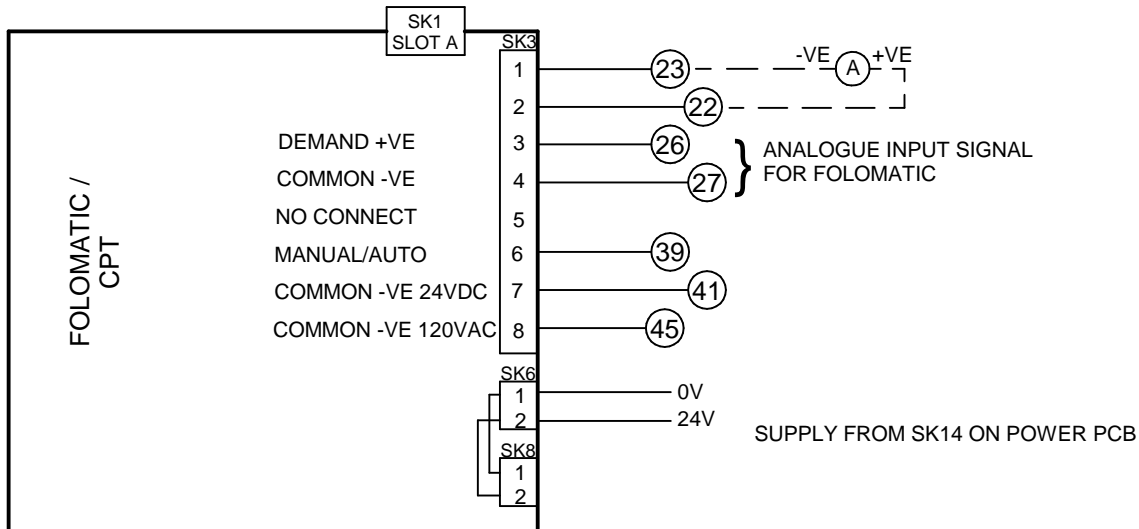
Drawn by: PMJ
Date : 290812
Base WD: 203B0000
Job No : --
MI No : --

Circuit Diagram Number
203B0000

Issue No
5

Sheet
1
of 2

SLOT A



FOR MANUAL/AUTO CONNECTIONS AND
DETAILS OF FOLOMATIC/CPT FUNCTIONS
REFER TO ROTORK PUBLICATION PUB002-041

NOTES

1.FUSES:

- PS1 is a self-resetting fuse.
- Refer to publication PUB002-039 for approved fuses FS1 and FS2.
- Actuator rated voltage specified on nameplate. Voltage tolerance +/-10%, applies for rated torque performance; duty cycle is not guaranteed.

2.REMOTE CONTROL:

- For typical remote control circuits refer to:
 - RWS indicated or PUB002-041.
- For DC and AC control, connect -ve/0V to terminal 36.
- (For negative switch / positive common, refer to RWS indicated).
- Control signal threshold voltages:
 - DC: "on" ≥16Vdc / "off" ≤8Vdc, max 60Vdc.
 - Control signal duration to be 100ms minimum.
- Maximum current drawn from remote control signals is:
 - 8mA at 24Vdc .
- Supply provided on terminals 4 & 5:
 - Intended for remote control.
 - Max external load 5W at 24Vdc

3.INDICATION:

- For typical position, status and alarm indication see PUB002-041.
- “S” contacts are user configurable and are shown in their default setting.
- Refer to PUB002-040 for functions and configuration instructions.
- Monitor Relay indicates actuator availability for remote control (shown “unavailable”). It can be configured to exclude local/remote selection.
- Refer to PUB002-040 for monitored functions and configuration instructions.
- Voltage applied to indication contacts must not exceed 150Vac
- Individual Switch current must not exceed 3.5A inductive, 5A resistive and no more than 8A in total for all 4 contacts.

4.BATTERY:

- Battery maintains local and remote “S” contact indication only.
- Refer to installation manual for approved replacement battery types.