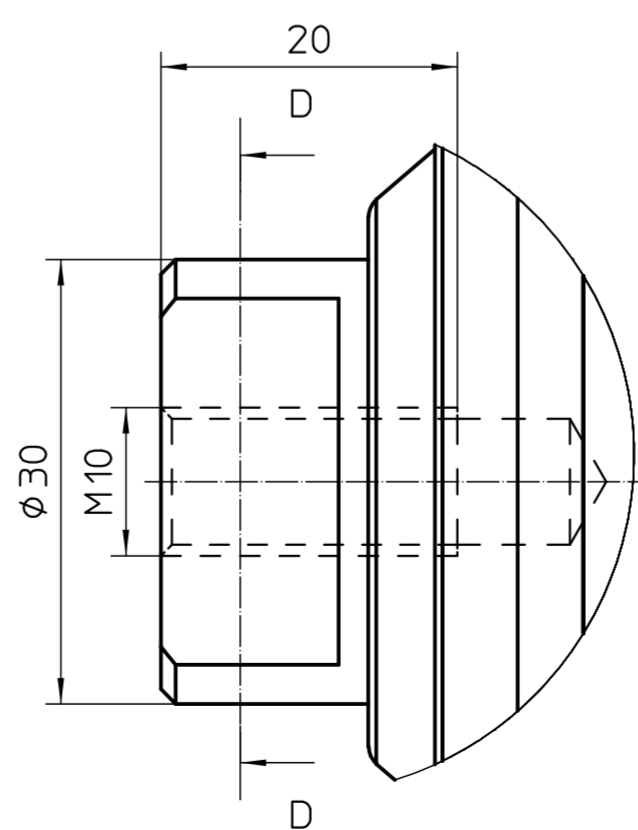
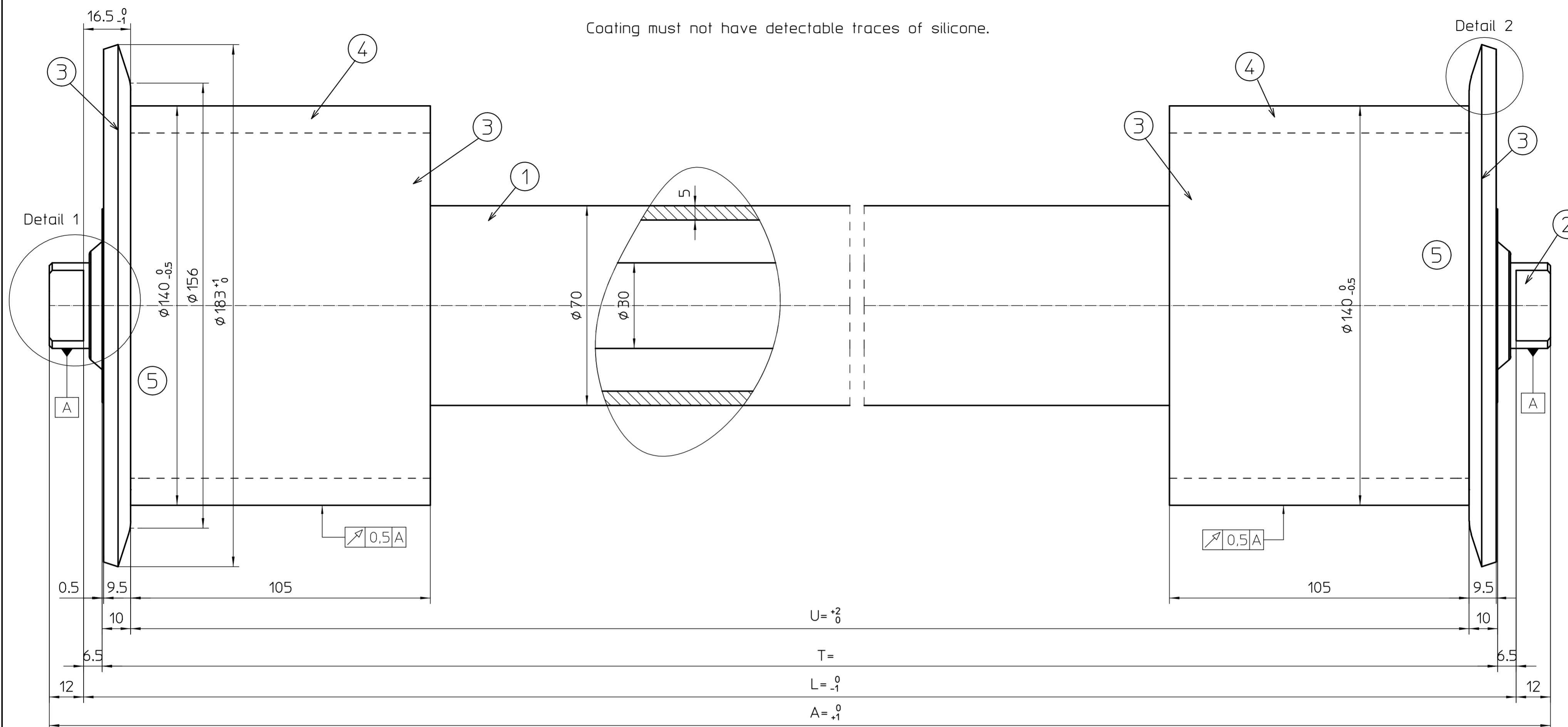
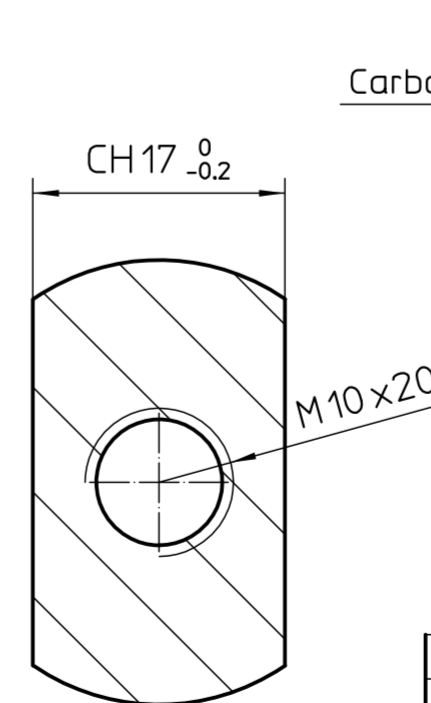


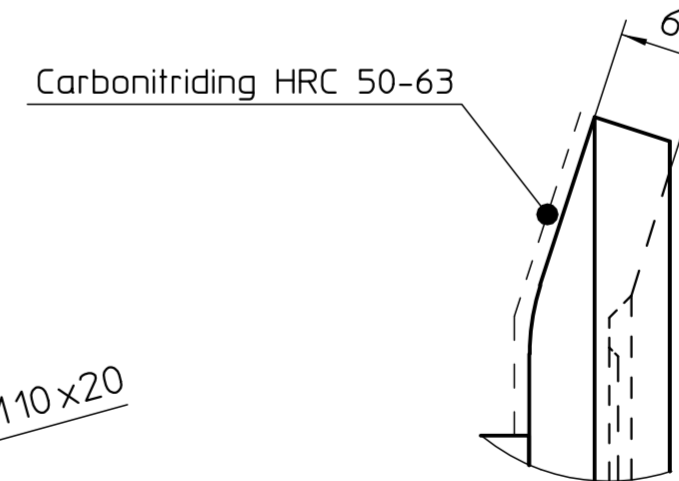
Coating must not have detectable traces of silicone.



Detail 1
2:1



D-D
2:1



Detail 2
2:1

1	Tube dia. 70x5 mm EN 10025-S235 or similar/higher.
2	Axle dia. 30 mm EN 10025-S235 M10x20 and milled ends dim. 17x12 mm.
3	Flange dia. 183x6 (hardened) and flange dia. 112x5 mm made by EN 10111 DD11 or similar/higher.
4	Polyurethane coating hardness 95 +/-3 Shore A.
5	Single row rigid radial precision bearings type 6206-2RS lifetime lubrication.

DRAWING FOR CUSTOMER

DESCRIZIONE ULTIMA MODIFICA				ESEGUITA	APPROV.
01	Aggiornamento generale e conversione modello CAD 3D.			Pace	Gamberini
RULLO SKID D140/70/30				TOLLERANZE DIM. E FORMA: T268-01-00	
				SALDATURE: T287-01-00	
				MODIFICHE	
DIS. Chiodi		DATA 16/12/09	SCALA 1:1	FORM.	DATA
CONTR. Chiodi		APPROV. Brizzi	PESO -	A2	SCHEDA N°
DIS.N. 329735F				A	05/11/09 2613.0
SOSTITUISCE -				00	16/12/09 2313.1
				01	21/09/16 3965