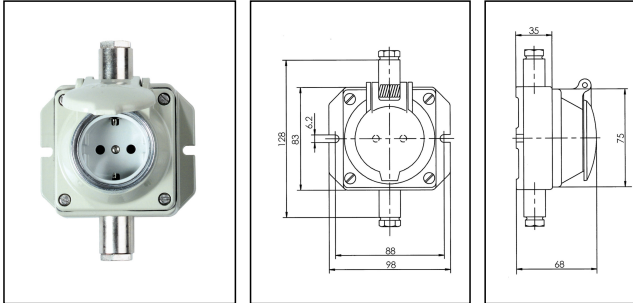



## 8709.AGB.13.M.64.o.KV

Schuko socket 16A 250V, aluminium, RAL 7032, IP54



Products may differ in size, colour and appearance to those shown. If you require further information or customisation, please contact us directly.

<b>WISKA-Order no.</b>	10040018
<b>Type</b>	8709.AGB.13.M.64.o.KV
<b>Voltage</b>	250 V
<b>Current</b>	16 A
<b>Protection class</b>	IP54
<b>Material</b>	Cast aluminium
<b>Using for cable gland</b>	
<b>External dimensions LxWxH</b>	83x83x68mm
<b>Temp. range min</b>	-25 °C
<b>Temp. range max</b>	80 °C
<b>Socket insert</b>	SCHUKO
<b>Terminals/poles</b>	2-pole + E
<b>Weight</b>	0,39 kg
<b>Colour</b>	RAL 7032
<b>Mounting</b>	Surface mounting
<b>Variations</b>	on request
<b>Tariff number</b>	85366990

Remarks:

Schuko-sockets, surface  
with SCHUKO socket interior 16A  
IP54, 250V, 16A, AC  
aluminium powder coated RAL 7032  
thread PG13  
without cable gland

Your Contact:

**WISKA Hoppmann GmbH**  
Kisdorfer Weg 28 · 24568 Kaltenkirchen · Germany  
☎ +49-4191-508-0 · 📠 +49-4191-508-209  
contact@wiska.de · www.wiska.com

**Spare parts**

**SP-8709 Schuko Socket Interior**

22000946

07.02.2024

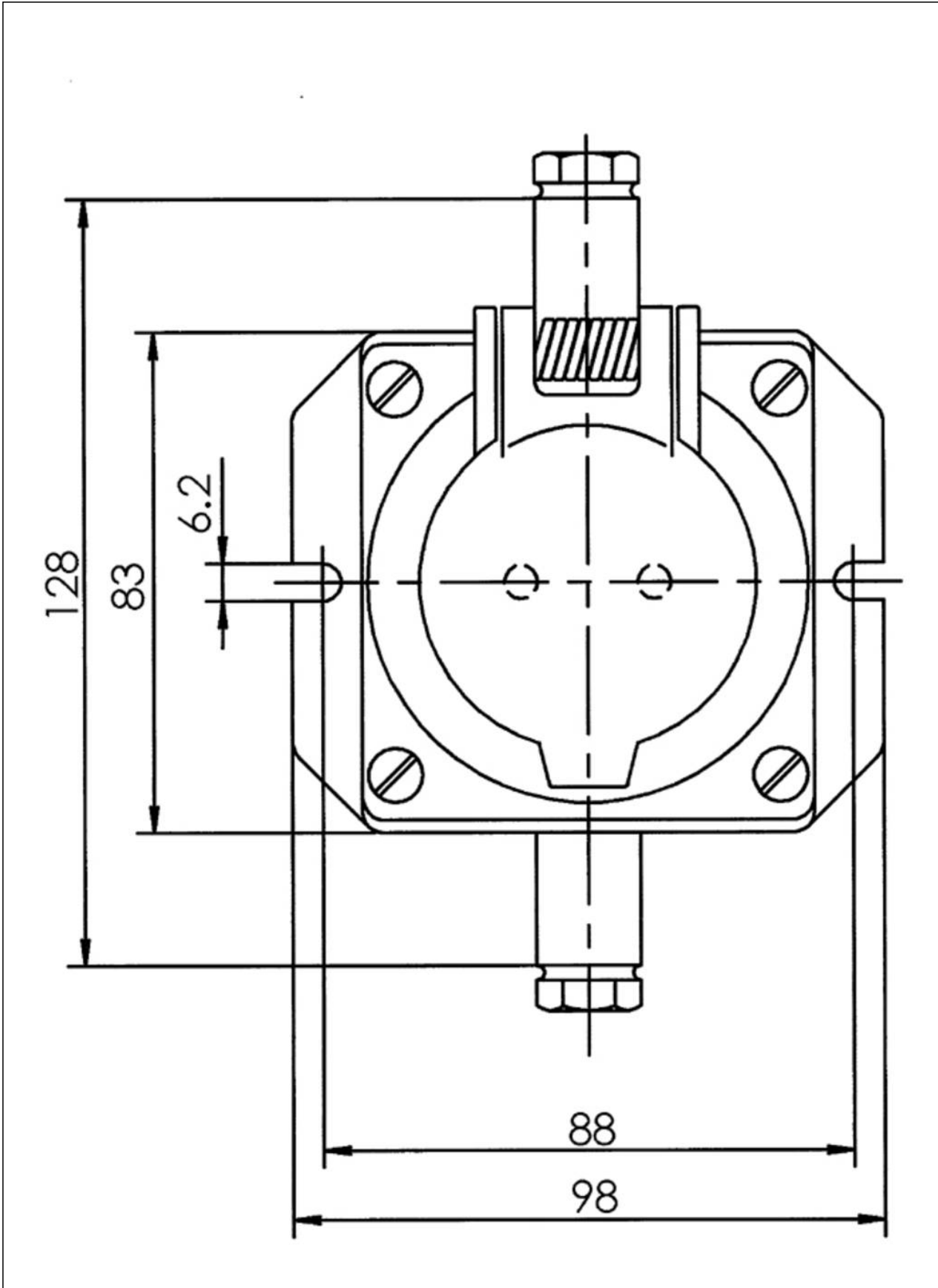
Your Contact:

**WISKA Hoppmann GmbH**

Kisdorfer Weg 28 · 24568 Kaltenkirchen · Germany

 +49-4191-508-0 ·  +49-4191-508-209

contact@wiska.de · www.wiska.com



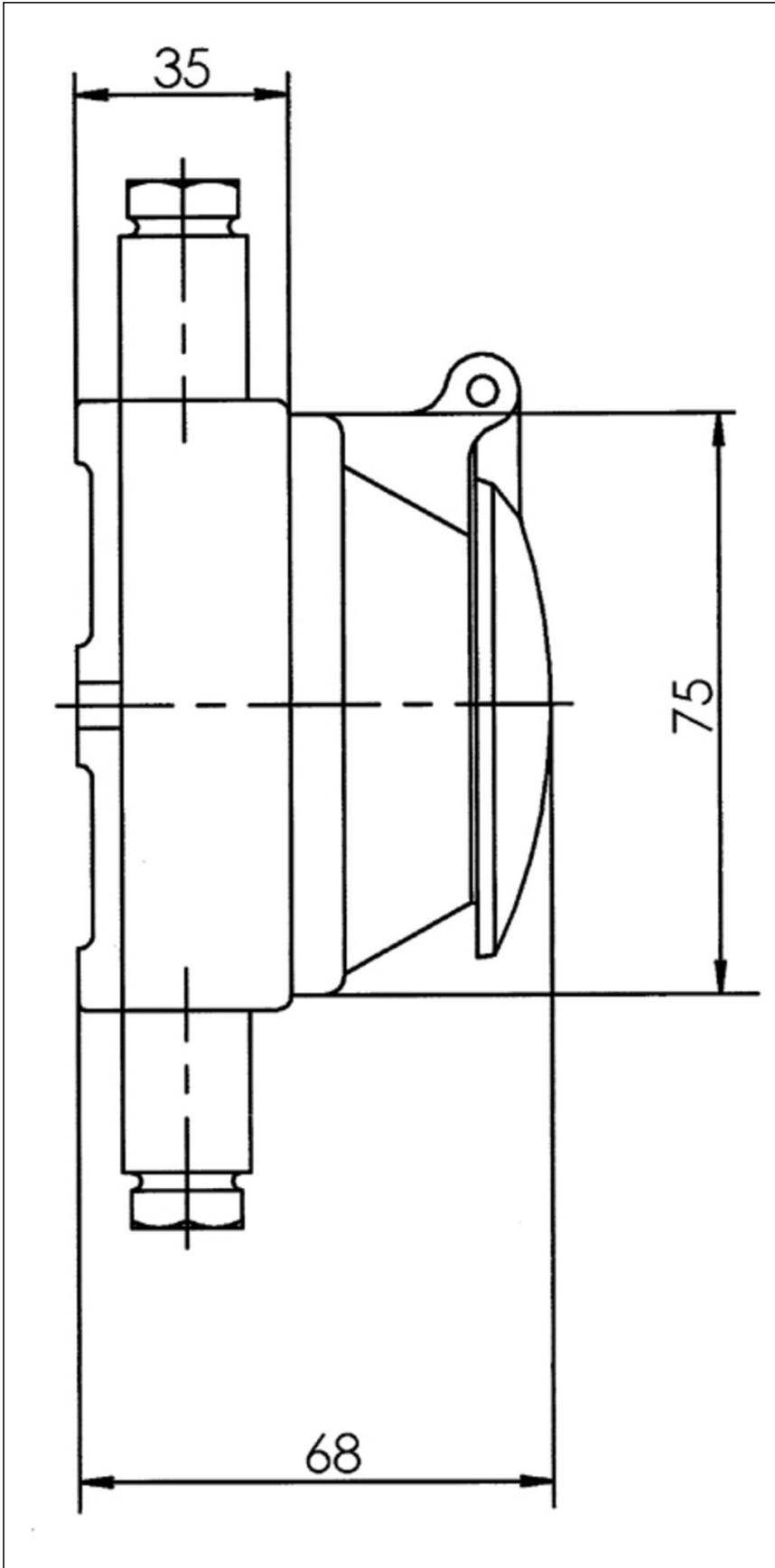
Your Contact:

**WISKA Hoppmann GmbH**

Kisdorfer Weg 28 · 24568 Kaltenkirchen · Germany

☎ +49-4191-508-0 · 📠 +49-4191-508-209

contact@wiska.de · www.wiska.com



Your Contact:

**WISKA Hoppmann GmbH**

Kisdorfer Weg 28 · 24568 Kaltenkirchen · Germany

☎ +49-4191-508-0 · 📠 +49-4191-508-209

contact@wiska.de · www.wiska.com