

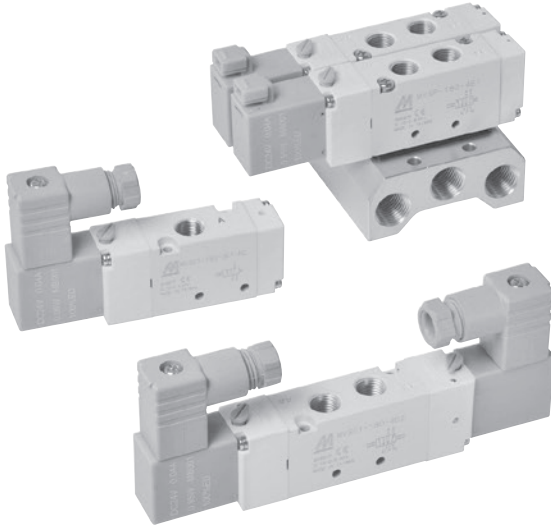
MVSC1-180 series

SOLENOID VALVE



mindman

Specification



Model		3E1	3E2	4E1	4E2	4E2 C.P.R
Bore No.		6A				
Port size		1/8				
No. of port / position		3 / 2		5 / 2		5 / 3
Medium		Air				
Operating perssure range		0.15~0.8 MPa			0.2~0.7 MPa	
Proof pressure		1 MPa				
Effective orifice		15 mm ²		12 mm ²		9 mm ²
Response time	Standard	AC<35 ms, DC<25 ms			AC<45ms, DC<30ms	
	Quick response*	AC<31 ms, DC<20 ms			AC<41ms, DC<25ms	
Power consumption	Standard	AC=1.12VA, DC=0.95W				
	Quick response*	AC=2.5VA, DC=2.5W				
Ambient temperature		-5~+50°C (No freezing)				
Voltage		AC110V, 220V (50/60)Hz, DC24/12V				
Available voltage range		±10%				
Insulation class		F class				
Weight		90 g	125 g	94 g	129 g	143 g

* For quick response type, it cannot be energized for more than 30 minutes.

Order example of valve

MVSC1 - 180 - 4E2C - NC - □ - AC110 - H1 - G

MODEL

BODY WIDTH

NC: Normally closed
NO: Normally open
(Only for 3E1 type)

VOLTAGE

AC220V(50/60)Hz
AC110V(50/60)Hz
DC24V
DC12V

ELECTRIC CONNECTION

D: DIN terminal	L: DIN terminal
W: Lead wire	H: Horizontal plug
wire length: 500mm	with LED indicator

PORT THREAD
Blank: Rc thread
G: G thread
NPT: NPT thread

3: 3 way (3 port)
4: 4 way (5 port)

E1: Single Solenoid
E2: Double Solenoid

C: Closed center
P: Pressure center
R: Exhaust center
(Only for 4E2 type)

RESPONSE TIME

Blank: Standard type
Q: Quick response*

* Made to order, please contact us.

Wire length	
—	500mm
1	1000mm
2	2000mm
3	3000mm

* Wire length only for "H: Horizontal plug".

Order example of manifold

MVSC1 - 180 - 3B3 - G

MODEL

MANIFOLD	NUMBER
3B	3 port (for body ported type) 1~20
5B	5 port (for body ported type) 1~28

PORT THREAD

Blank: Rc thread
G: G thread
NPT: NPT thread

* Starting from 11 stations, manifolds are made to order.

Order example of wire

* Use the same wire with MVDY.
* Only for "H: Horizontal plug".

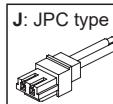
MVDY - 100 - WA2J2

MODEL

VOLTAGE

A2: AC220V(50/60)Hz
A1: AC110V(50/60)Hz
D: DC24V/12V/6V

WIRE

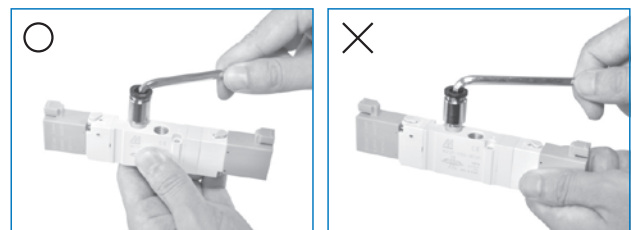
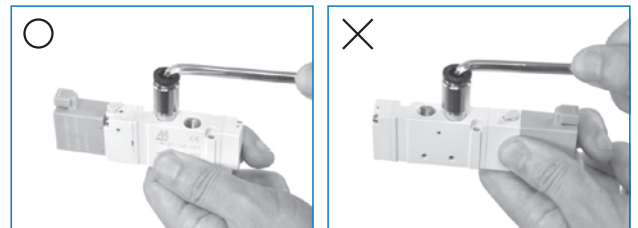


WIRE LENGTH

Blank: 500mm
1: 1000mm
2: 2000mm
3: 3000mm

Caution

Prohibit apply force to coil when tighten the tube fitting.

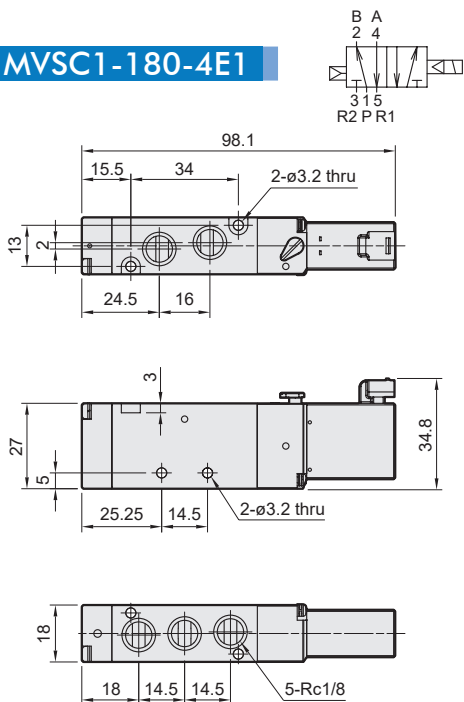


MVSC1-180 Dimensions

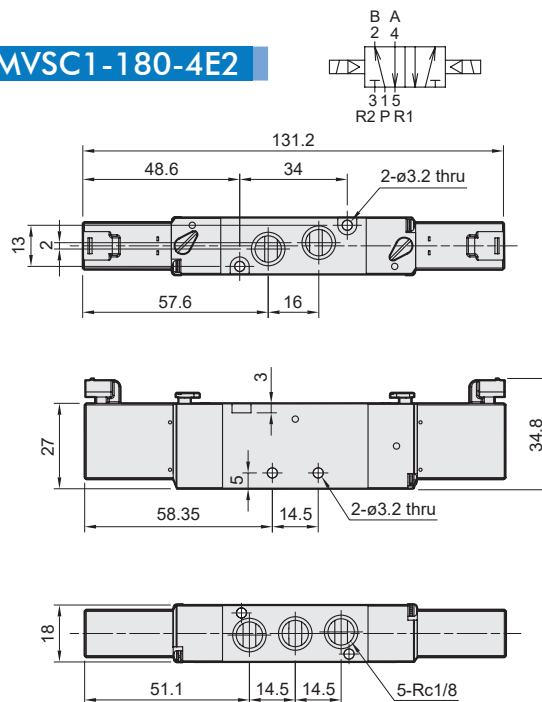
SOLENOID VALVE



MVSC1-180-4E1

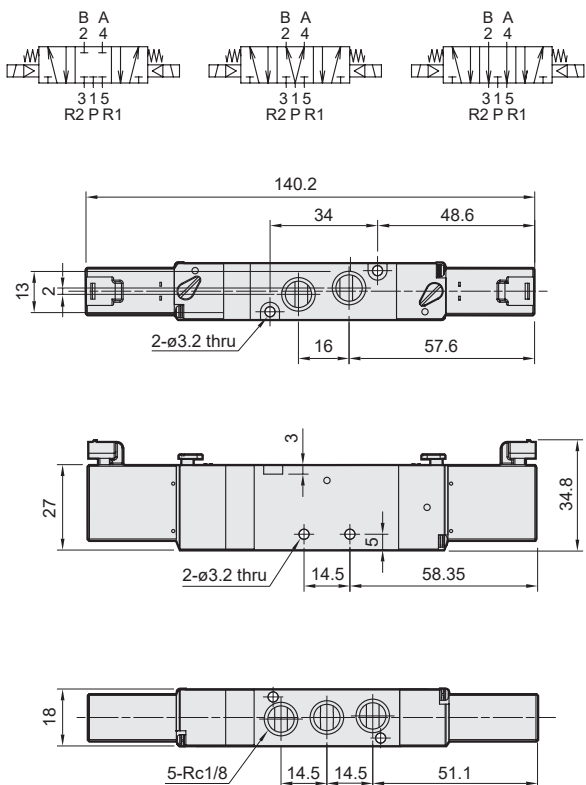


MVSC1-180-4E2

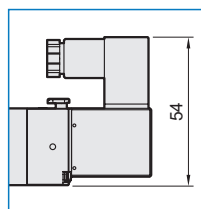


MVSC1-180-4E2C.P.R

MVSC1-180-4E2C MVSC1-180-4E2P MVSC1-180-4E2R

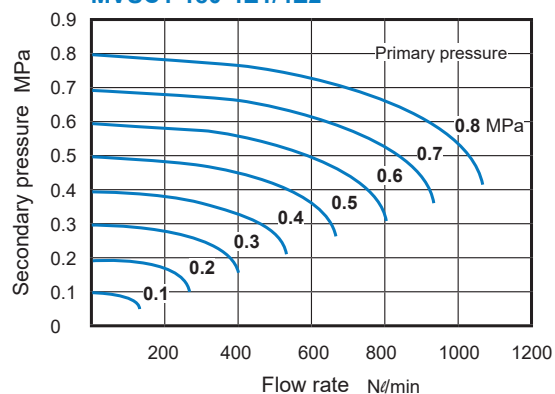


DIN terminal /
DIN terminal with LED indicator



Flow features

MVSC1-180-4E1/4E2

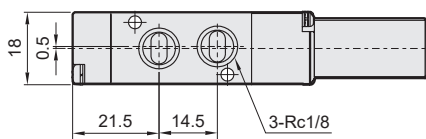
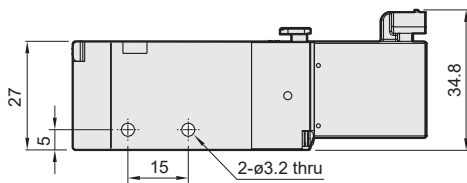
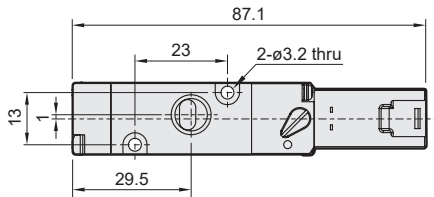
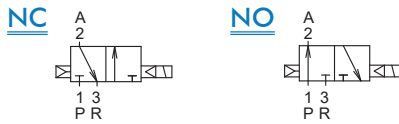


MVSC1-180 Dimensions

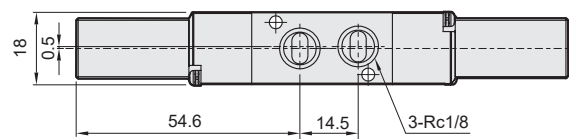
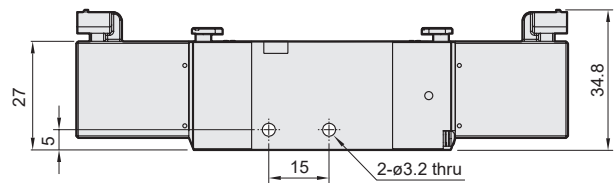
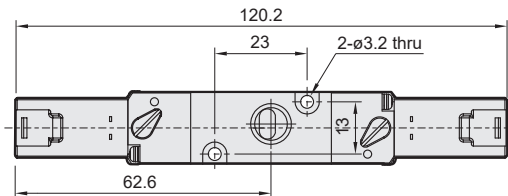
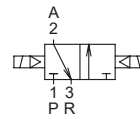
SOLENOID VALVE



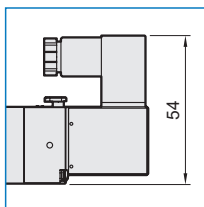
MVSC1-180-3E1-NC/NO



MVSC1-180-3E2



DIN terminal /
DIN terminal with LED indicator



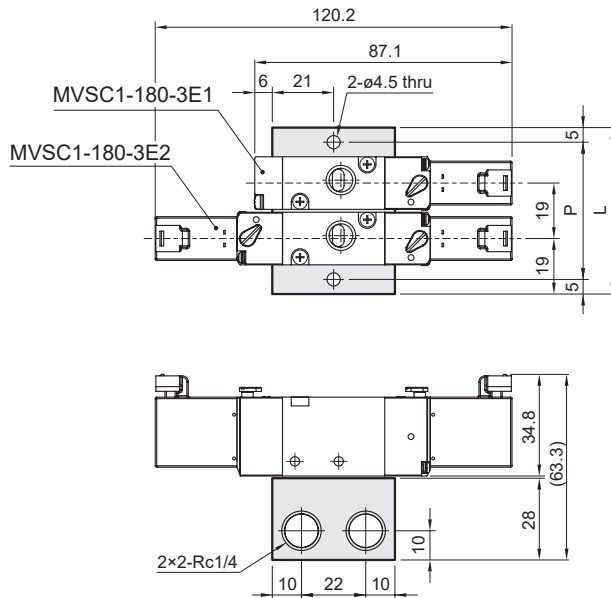
MVSC1-180 Manifold

SOLENOID VALVE



MVSC1-180-3B*

3 port (for body ported type)

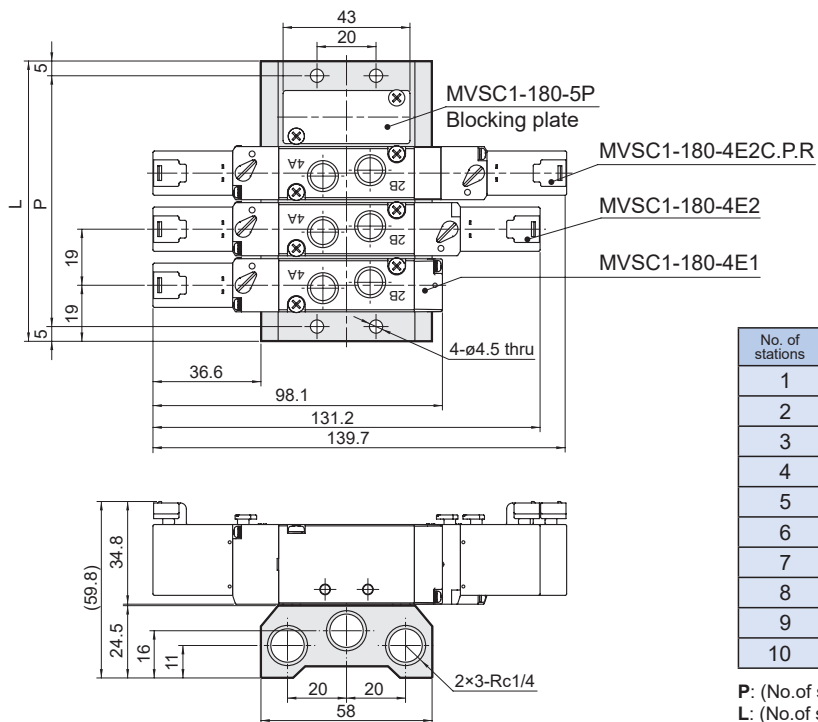


No. of stations	P	L
1	28	38
2	47	57
3	66	76
4	85	95
5	104	114
6	123	133
7	142	152
8	161	171
9	180	190
10	199	209

P: (No. of stations-1)×19+28
L: (No. of stations-1)×19+38

MVSC1-180-5B*

5 port (for body ported type)



No. of stations	P	L
1	28	38
2	47	57
3	66	76
4	85	95
5	104	114
6	123	133
7	142	152
8	161	171
9	180	190
10	199	209

P: (No. of stations-1)×19+28
L: (No. of stations-1)×19+38