

GS Oxygen Sensors KE-Series

Features:

- * Long life - 2.5~10 years in ambient air
- * Virtually no influence from CO₂, CO, H₂S, NO_x, H₂
- * Low cost
- * Operates in normal ambient temperatures
- * Stable output signal
- * No external power supply required for sensor operation
- * No warmup time is required

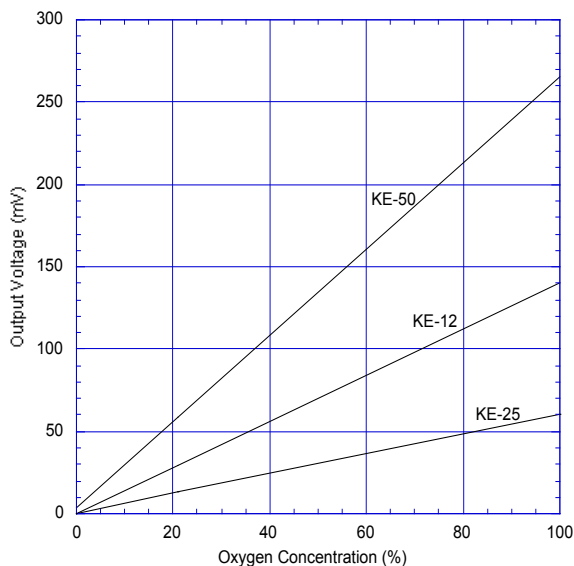
Applications:

- * Medical - Anesthetic instruments, respirators, oxygen-enrichers
- * Biotechnology - Oxygen incubators
- * Food industry - Refrigeration, greenhouses
- * Safety - Air conditioners, oxygen detectors, fire detectors

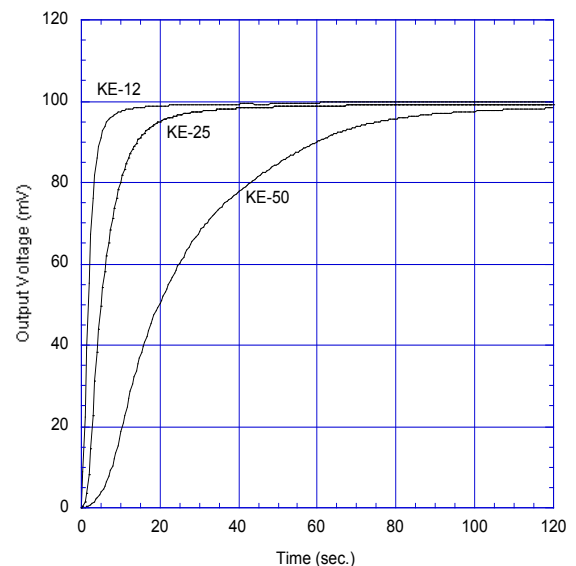
GS Oxygen Sensor KE Series (KE-12, KE-25, and KE-50) are unique galvanic cell type oxygen sensors developed in Japan in 1985. Their most notable features are long life expectancy, excellent chemical durability, and no influence by CO₂. KE Series oxygen sensors are ideal to meet the ever-increasing demand for oxygen monitoring in various fields such as combustion gas monitoring, the biochemical field, medical applications, domestic combustion appliances, etc.



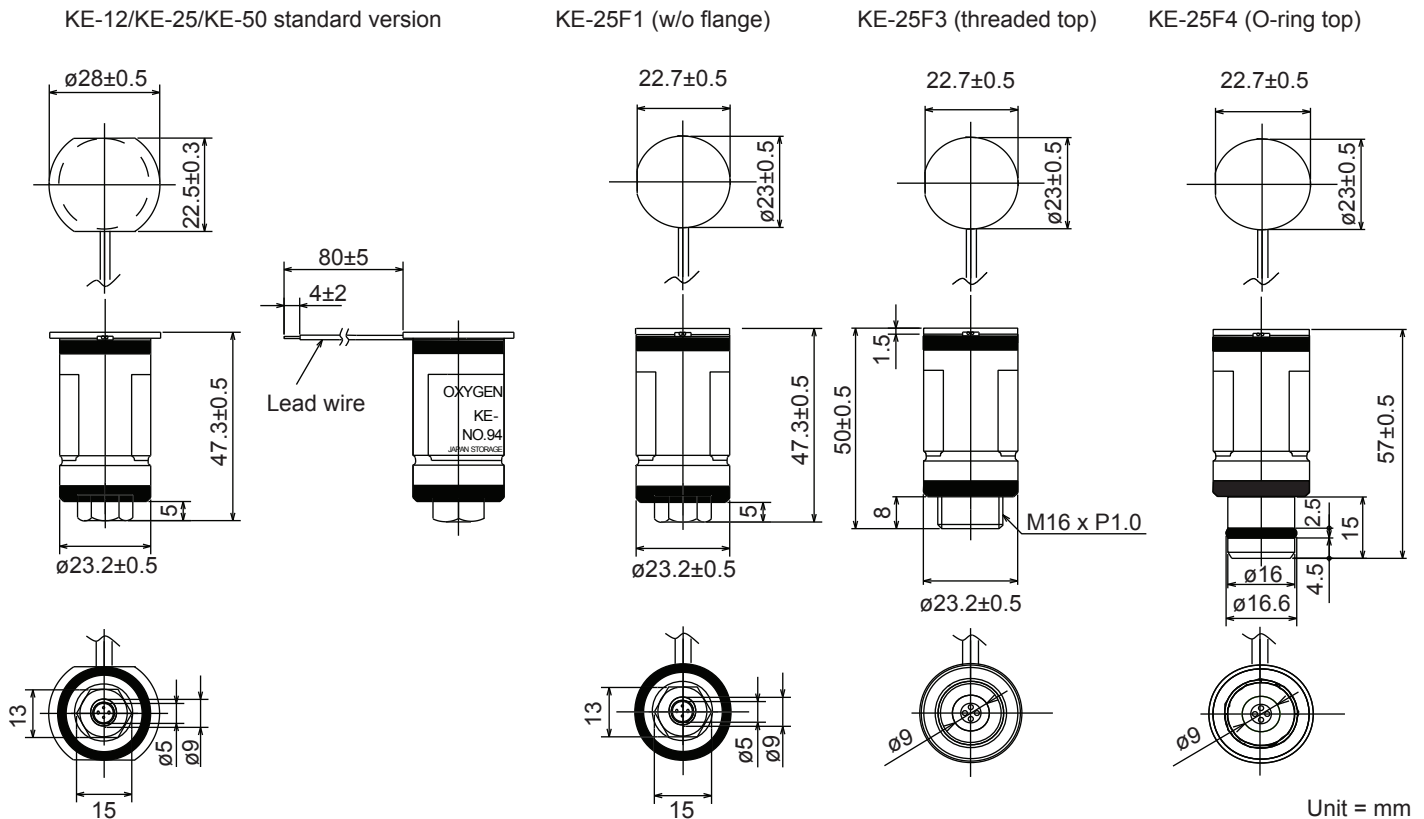
Sensitivity characteristics (typical values under std. test conditions)



Response time (typical)



Dimensions



Specifications

Item	Model		
	KE-12	KE-25	KE-50
Measurement range	0~100% O ₂		
Accuracy (Note 1)	±1% full scale	±1% full scale	±2% full scale
Operating conditions	Atmospheric pressure	811hPa~1216hPa	
	Temperature	5°~40°C	
	Relative humidity	10~90%RH (no condensation)	
Response time (90%) (Note 2)	approx 5 sec.	approx 15 sec.	approx 60 sec
Initial output voltage under standard test conditions	19.0~35.0mV	10.0~15.5mV	47~65mV
Life expectancy at 20°C in normal air (Note 3)	Atmospheric pressure	1013±5hPa	
	Temperature	25°±1°C	
	Relative humidity	60±5%RH	
Life expectancy at 20°C in normal air (Note 3)	approx 2.5 yrs	approx 5 yrs	approx 10 yrs

Notes:

1) When calibrated at both 0% and 100% of O₂, accuracy in the range from 0-100% O₂ shall be within ±1% of full scale for both KE-12 and KE-25 and ±2% of full scale for KE-50.

2) Sensors should be used under conditions where the air exchange is greater than 200~300ml per minute in order to obtain the response speed as shown in the Specifications.

3) Life expectancy at 20°C in normal air is defined as the period until sensor output drops to 70% of its original value.

For information on warranty, please refer to Standard Terms and Conditions of Sale of Figaro USA Inc.

FIGARO USA, INC.

121 S. Wilke Rd. Suite 300
Arlington Heights, IL 60005
Phone: (847)-832-1701
Fax: (847)-832-1705
email: figarousa@figarosensor.com