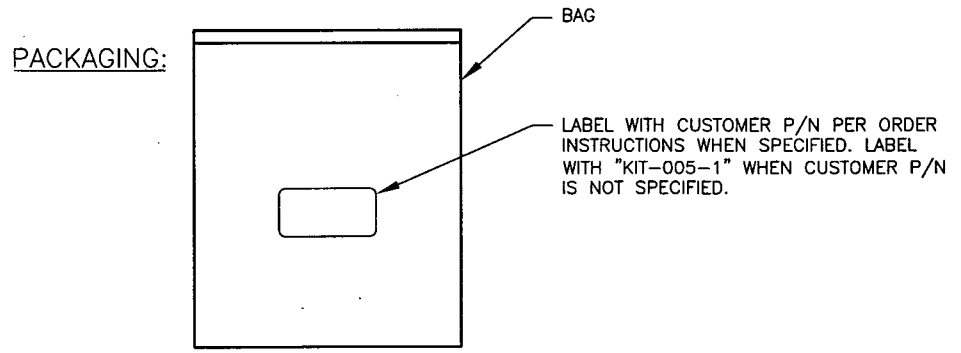
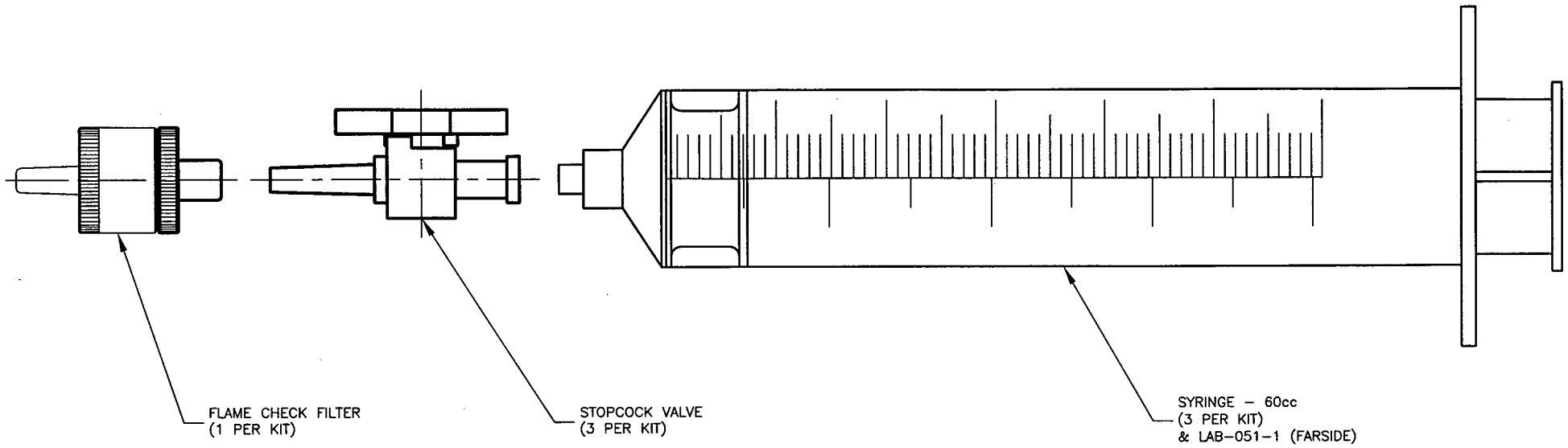


NOTICE
 THIS DRAWING IS THE PROPERTY OF QUALITROL CORPORATION AND IS LOANED ONLY ON THE CONDITION THAT IT WILL BE USED TO FACILITATE THE PURPOSE FOR WHICH INTENDED AND NOT BE REPRODUCED, COPIED OR OTHERWISE DISPOSED OF, AND IS NOT TO BE USED IN WHOLE OR PART FOR FURNISHING INFORMATION RELATIVE TO THE MAKING OF DRAWINGS, PARTS APPARATUS OR PARTS THEREOF, EXCEPT BY WRITTEN ORDER FROM QUALITROL CORPORATION.

MODEL NO. **KIT-005-1**



LET	DATE	ALTERATION	C.N.
-	8-25-04	ADDED PACKAGING REQUIREMENTS	24637
-	10-3-03	© SYRINGE: DELETE "(SHOWN WITHOUT CAP)"	24107

QUALITROL
 CORPORATION
 DIMENSIONS AND TOLERANCES IN ACCORDANCE WITH ASME Y14.5M-1994

PH. (585) 586-1515
 FAX (585) 377-0220
 1385 FAIRPORT ROAD
 FAIRPORT, NY 14450
 FORM 0-473 REV.D 10/22/02

TITLE: **SAMPLING SYRINGE KIT**

MODEL NO. **KIT-005-1**