



**KILEWS**®

# Brushless Electric Screwdrivers & Accessories



# BRUSHLESS AUTO SHUT-OFF 32V ELECTRIC SCREWDRIVERS

## Torque Range:

0.02-2.94 Nm (0.2-26.0 in-lbs)

## Features:

- Consistent Torque Output
- Torque Accuracy  $\pm 3\%^*$
- Clean, Brushless Motor Technology
- Dependable, Long Lifespan
- Requires 32VDC Power Supply
- Two Speed Selections Available
- Lever or Push Start Models
- Standard or ESD Housing Material
- Includes 2 Meter Tool Cable, Driver Bits (PH), and Torque Fixing Ring

\*Factory test values - actual torque results may vary depending on the specific application, operator input, and test equipment used.

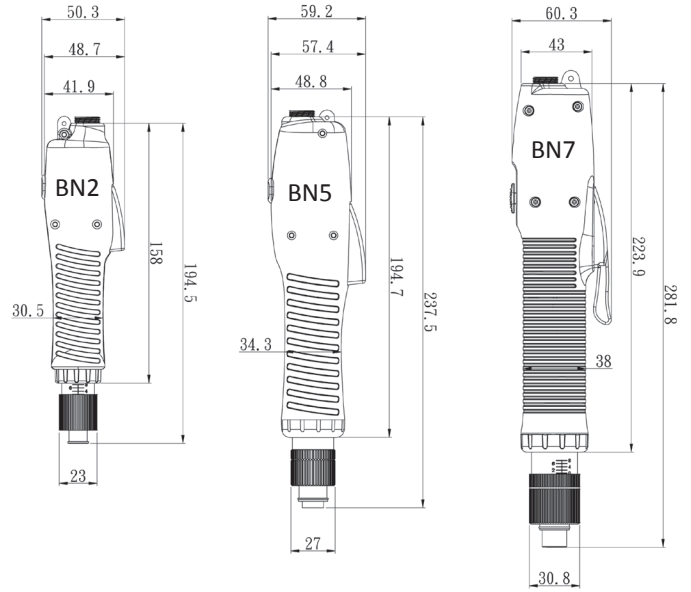
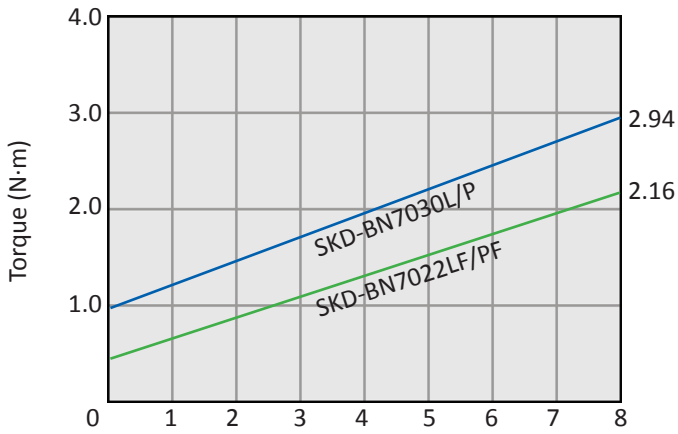
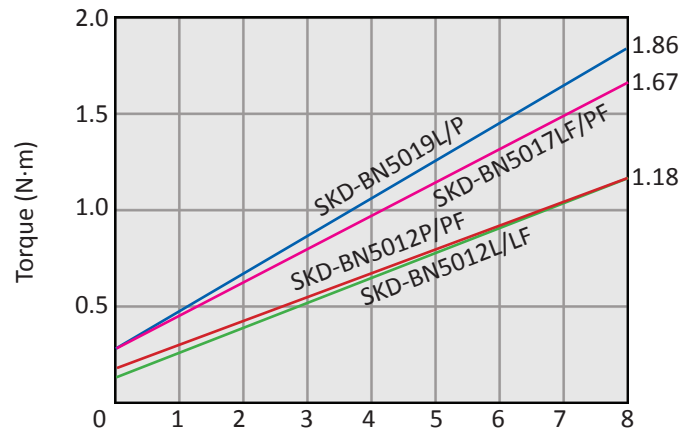
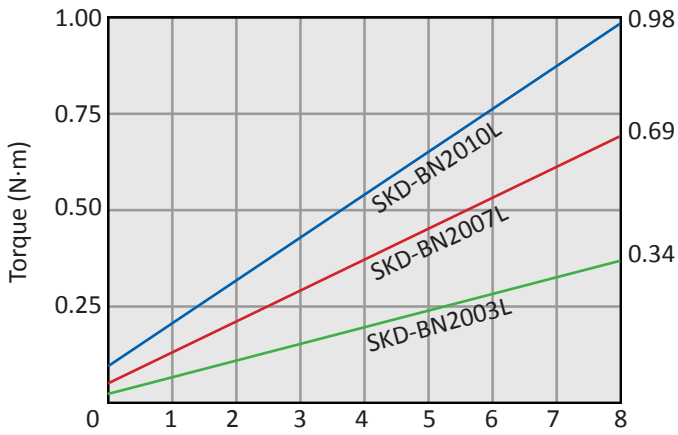


Model (Standard Housing)	Model (w/ESD Housing)	Torque (Nm)	Torque (in-lbs)	Speed (rpm)	Start Type	Power Consum.	Weight (g)(lbs)
SKD-BN2003L	SKD-BN2003L-ESD	0.02-0.34	0.2-3.0	1000/700			
SKD-BN2007L	SKD-BN2007L-ESD	0.05-0.69	0.5-6.1	1000/700	Lever	25W	385g 0.8lbs
SKD-BN2010L	SKD-BN2010L-ESD	0.10-0.98	0.9-8.7	1000/700			
SKD-BN5012L	SKD-BN5012L-ESD	0.15-1.18	1.3-10.4	1000/700			
SKD-BN5012LF	SKD-BN5012LF-ESD	0.15-1.18	1.3-10.4	2000			
SKD-BN5012P	SKD-BN5012P-ESD	0.20-1.18	1.8-10.4	1000/700	Push	55W	520g 1.1lbs
SKD-BN5012PF	SKD-BN5012PF-ESD	0.20-1.18	1.8-10.4	2000	Lever		
SKD-BN5017LF	SKD-BN5017LF-ESD	0.29-1.67	2.6-14.8	2000	Lever		
SKD-BN5017PF	SKD-BN5017PF-ESD	0.29-1.67	2.6-14.8	2000	Push		
SKD-BN5019L	SKD-BN5019L-ESD	0.29-1.86	2.6-16.5	1000/700	Lever		
SKD-BN5019P	SKD-BN5019P-ESD	0.29-1.86	2.6-16.5	1000/700	Push		
SKD-BN7022LF	SKD-BN7022LF-ESD	0.49-2.16	4.3-19.1	2000	Lever	55W	800 1.8lbs
SKD-BN7022PF	SKD-BN7022PF-ESD	0.49-2.16	4.3-19.1	2000	Push		
SKD-BN7030L	SKD-BN7030L-ESD	0.98-2.94	8.7-26.0	1200/900	Lever		
SKD-BN7030P	SKD-BN7030P-ESD	0.98-2.94	8.7-26.0	1200/900	Push		

Power Supply	SKP-32BC-60W	SKP-BE32HL
Use with driver models	SKD-BN2_L SKD-BN5_L/P	SKD-BN5_LF/PF SKD-BN7_L(F)/P(F)
Input	100-240VAC 50/60Hz	
Output	32/24VDC	
Dims (mm)	145 x 60 x 35	195 x 76 x 56
Weight (g)(lbs)	250g/0.6lbs	450g/1lbs

**POWER SUPPLY CONVERTS  
AC INPUT TO 32VDC REQ'D  
TO PROPERLY POWER TOOL  
(CETLUS LISTED)**





### Optional Accessories

Model	Torque Fixing Ring	Torque Adjust Tool	Suspension Rack	Spring Balancer
SKD-BN20__L	KC-13C	KW-4	KH-5	KL-600
SKD-BN20__L-ESD	KC-13S			
SKD-BN50__L(F)	KC-6C	KW-3	KH-4 (KH-2 when using torque fixing ring)	KL-1200
SKD-BN50__L(F)-ESD	KC-6S			
SKD-BN50__P(F)	KC-6C			
SKD-BN50__P(F)-ESD	KC-6S	KW-1	KH-2	
SKD-BN70__L(F)	KC-2			
SKD-BN70__L(F)-ESD	KC-2S			
SKD-BN70__P(F)	KC-2			
SKD-BN70__P(F)-ESD	KC-2S			

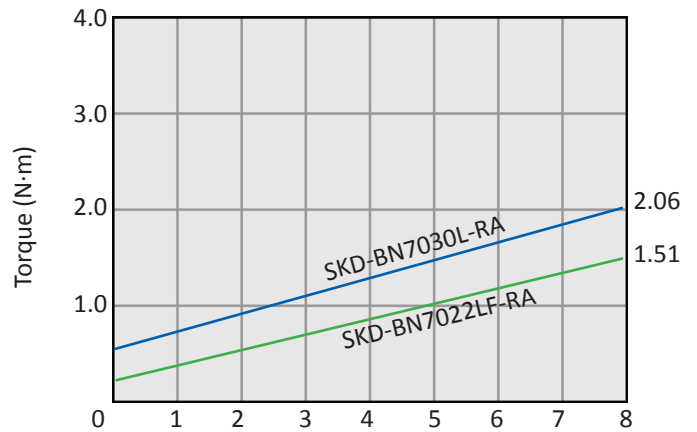
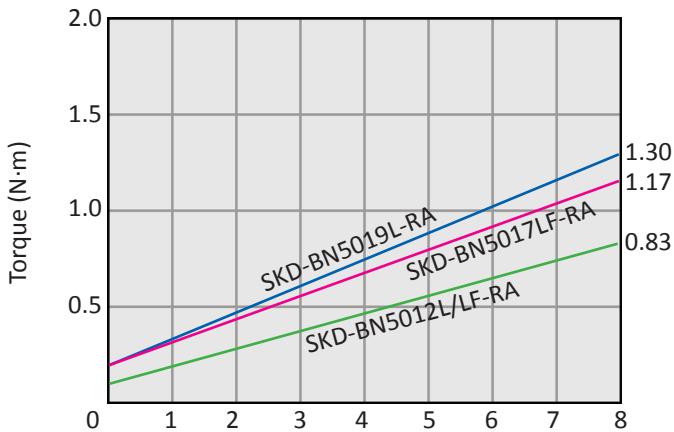
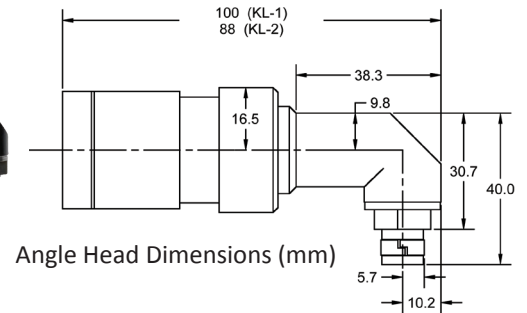
## REPLACEMENT TOOL CABLES (2M CABLE INCLUDED W/ DRIVER)

2m	3m	3m coiled	6m
AA50001-16	AA50001-44	AA50001-105	AA50001-45



## -RA RIGHT ANGLE LEVER START DRIVERS

Model (Standard Housing)	Model (w/ESD Housing)	Torque (Nm)	Torque (in-lbs)	Speed (rpm)	Angle Head Part #	Power Consum.	Weight (g)(lbs)
SKD-BN5012L-RA	SKD-BN5012L-ESD-RA	0.11-0.83	0.9-7.3	1000/700	KL-2	55W	770g 1.7lbs
SKD-BN5012LF-RA	SKD-BN5012LF-ESD-RA	0.11-0.83	0.9-7.3	2000			
SKD-BN5017LF-RA	SKD-BN5017LF-ESD-RA	0.20-1.17	1.8-10.4	2000			
SKD-BN5019L-RA	SKD-BN5019L-ESD-RA	0.20-1.30	1.8-11.6	1000/700			
SKD-BN7022LF-RA	SKD-BN7022LF-ESD-RA	0.34-1.51	3.0-13.4	2000	KL-1	55W	1050g 2.3lbs
SKD-BN7030L-RA	SKD-BN7030L-ESD-RA	0.68-2.06	6.1-18.2	1000/700			



# TORQUE METERS: KTM-15, KTM-150, KTM-250

## Features:

- Ideal for Electric Screwdrivers
- Easy to use and set-up
- Comes with Certificate of Calibration
- Data Output-1.0 USB Port-Cable not included
- Store up to 800 readings
- Selectable Measuring Units: Lbf.In, Kgf.cm,Nm
- Portable-Rechargeable Battery -Long Life
- Auto Zero feature
- Program Hi and Low Torque Limits
- Display readings/statistics- Minimum, Maximum and Average Torque for group of run downs
- Peak, Real Time and Peak Down measuring modes (selectable)
- Measure both clockwise and counterclockwise
- Includes: AC Charger-Run Down Joints, All in a protective carry case



**KTM-150**

Specifications			
Model	KTM-15	KTM-150	KTM-250
Measuring Ranges (kgf.cm) (lbf.in) (N.m)	0.1-15.0 0.09-13.02 0.01-1.47	1.5-150.0 1.3-130.02 0.15-14.7	3.0-250.0 2.6-217.0 0.29-24.5
Accuracy	Within $\pm 0.5\%$		
Power Supply	1.2V Battery X5		
Charging Time	Within 8 hours		
Continuous Operation At Full Charge	12 Hours		
Battery	Rechargeable 300 times or more		
Dimension(mm)	123x230x65(H)	180x130x34(H)	220x160x50(H)
Weight(kg)(lbs)	2.0kg/4.4lbs	1.5kg/3.3lbs	2.0kg/4.4lbs
Special Charger	Input AC120V, 220-240V OulpUI DC12V SOOmA	Input AC120V, 220-240V Output D C7.5V 500mA	
Accessory	Test Joints: AJ-3 AJ-15	Test Joints: AJ-15K AJ-50 AJ-150	Test Joints: AJ-300

# BRUSHLESS DRIVER WITH INTERNAL COUNTER

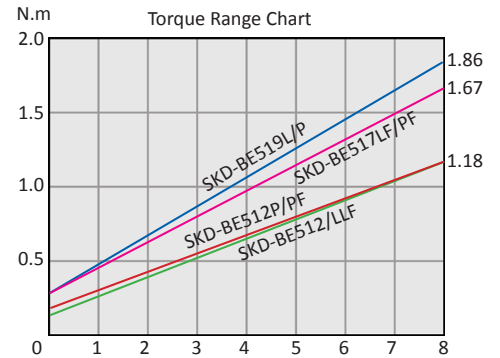
## SKD-BE Series: 32V/40VDC Brushless Motor

The Kilews SKD-BE Series tools integrate the performance of a DC Shut-Off Clutch Brushless Screwdriver with a programmable, handle-mounted Batch Counter. Each tool includes a 2m cable to connect to a 32V or 40VDC Power Supply (sold separately).

- Batch count value can be set from 0-99 screws/batch. Screwdriver will count down by one each time a good fastener rundown is completed.
- LED display shows the current screw count value and displays the available options and setting values during programming mode.
- Programming buttons are located on the driver directly below the LED display. Buttons are used to set-up parameters prior to using the screwdriver for assembly. Programming mode can be locked by pressing a preset combination of buttons to avoid accidental program changes.
- 'Clear' button allows the count to be manually reset to begin a new batch.
- Min and max rundown time settings allow the user to establish an acceptable time window for fastener installation. Only fastener rundowns which occur within the specified window will be accepted as good (OK) and cause the count to increment. Rundowns completed outside the time window will be considered no good (NG). This might occur if the screw was cross-threaded (time too short - below min time) or stripped (time too long - greater than max time).
- Visual and audible indicators are available to let the operator know if the rundown was OK or NG, and when the batch has been completed.
- Screwdrivers can be hard-wired with additional output signal cable (included in box) to output rundown status (NG/OK Batch) to a PLC.



SKD-BE512L



### Optional Accessories

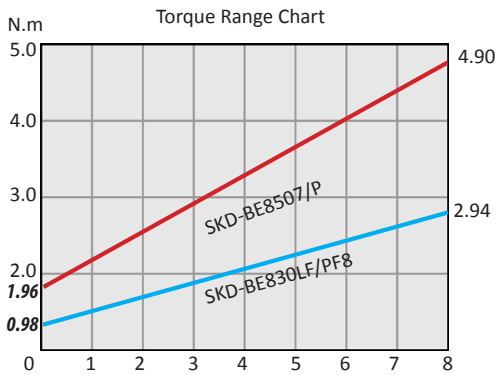
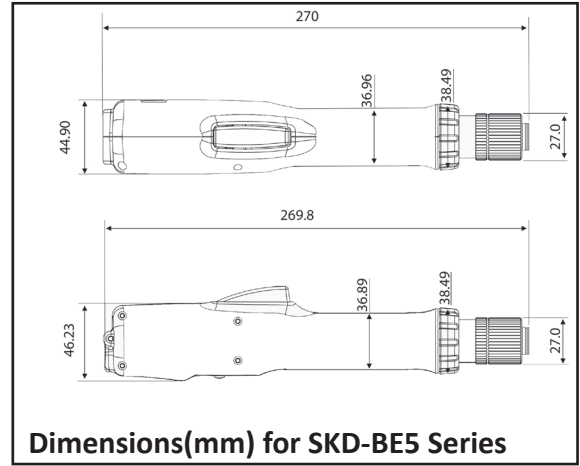
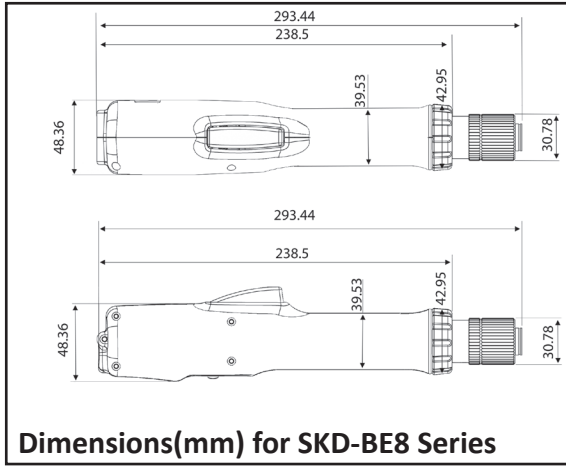
Model	Torque Fixing Ring	Torque Adjust Tool	Suspension Rack	Spring Balancer
SKD-BE5(non-ESD)	KC-6C	KW-3	KH-4	KL-1200
SKD-BE5 (ESD)	KC-6S			

### Specifications

Model (Standard Housing)	Model (w/ESD Housing)	Torque (Nm)	Torque (in-lbs)	Speed (rpm)	Start Type	Power Consum.	Weight (g)(lbs)	Use with Power Supply
SKD-BE512L	SKD-BE512L-ESD	0.15-1.18	1.33-10.44	1000	Lever	55W	580g 1.3lbs	SKP-32BC60W or SKP-BE32HL  (‘F’ fast tools)
SKD-BE512LF	SKD-BE512LF-ESD	0.15-1.18	1.33-10.44	2000				
SKD-BE517LF	SKD-BE517LF-ESD	0.29-1.67	2.57-14.78	2000				
SKD-BE519L	SKD-BE519L-ESD	0.29-1.86	2.57-16.46	1000	Push	55W	580g 1.3lbs	SKP-32BC60W or SKP-BE32HL  (‘F’ fast tools)
SKD-BE512P	SKD-BE512P-ESD	0.2-1.18	1.77-10.44	1000				
SKD-BE512PF	SKD-BE512PF-ESD	0.2-1.18	1.77-10.44	2000				
SKD-BE517PF	SKD-BE517PF-ESD	0.29-1.67	2.57-14.78	2000				
SKD-BE519P	SKD-BE519P-ESD	0.29-1.86	2.57-16.46	1000				

# BRUSHLESS POWER TORQUE DC-TYPE AUTOMATIC WITH COUNTER

## SKD-BE800 Series



### Optional Accessories

Model	Torque Fixing Ring	Torque Adjust Tool	Suspension Rack	Spring Balancer
SKD-BE8 (non-ESD)	KC-7C	KW-1	KH-2	KL-1200
SKD-BE8 (ESD)	KC-7S			

### Specifications

Model (Standard Housing)	Model (w/ESD Housing)	Torque (Nm)	Torque (in-lbs)	Speed (rpm)	Start Type	Power Consum.	Weight (g)(lbs)	Use with Power Supply
SKD-BE830L	SKD-BE830L-ESD	0.98-2.94	8.67-26.02	1000	Lever	90W	820g 1.8lbs	SKP-40BHL
SKD-BE830LF	SKD-BE830LF-ESD	0.98-2.94	8.67-26.02	2000				
SKD-BE850L	SKD-BE850L-ESD	1.96-4.90	17.35-43.37	1000	Push	120W		
SKD-BE830P	SKD-BE830P-ESD	0.98-2.94	8.67-26.02	1000		90W		
SKD-BE830PF	SKD-BE830PF-ESD	0.98-2.94	8.67-26.02	2000		90W		
SKD-BE850P	SKD-BE850P-ESD	1.96-4.90	17.35-43.37	1000		120W		

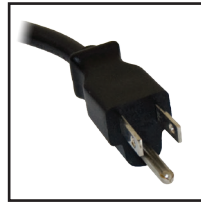
# BRUSHLESS AUTO SHUT-OFF 115V ELECTRIC SCREWDRIVERS

## Torque Range:

0.49-4.9 Nm (4.34-43.4 in-lbs)

## Features:

- Consistent Torque Output
- Torque Accuracy  $\pm 3\%$ \*
- Clean, Brushless Motor Technology
- Dependable, Long Lifespan
- Outperforms Brush-type Drivers
- Plugs Directly into 115VAC Receptacle
- Input 110-120VAC, 50/60Hz, 48W
- Integral 3m Power Cord w/ US Plug
- Approval - ETL Listed (cETLus)
- Lever or Push Start Models
- Right Angle Version Available



\*Factory test values - actual torque results may vary depending on the specific application, operator input, and test equipment used.

### Each Screwdriver Includes:

#### Driver Bits (PH #2)



#### Torque Fixing Ring



#### Suspension Bail



AUTO-SHUT OFF  
DIRECT PLUG-IN  
SCREWDRIVER

STABLE TORQUE  
OUTPUT

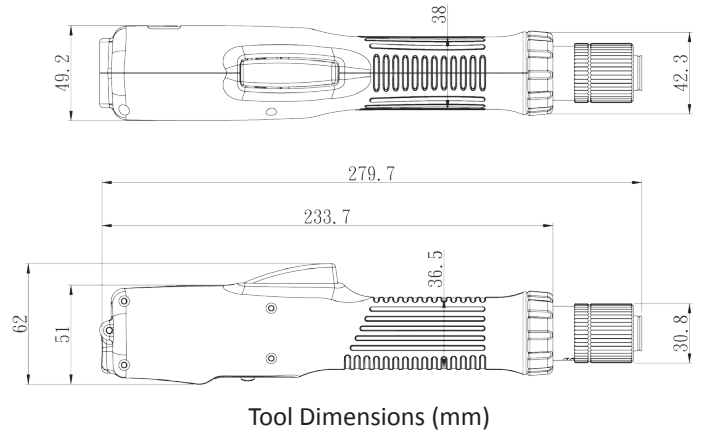
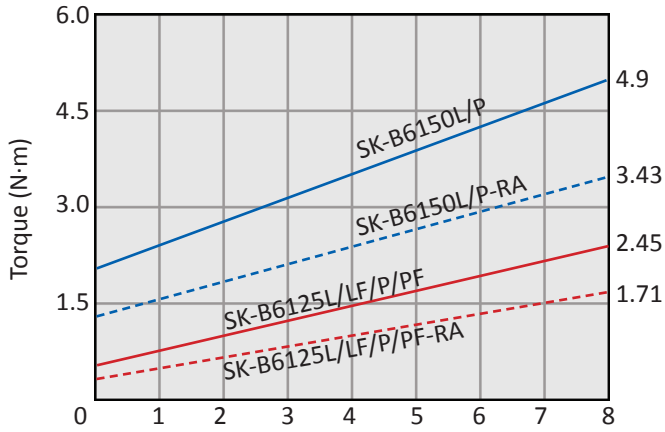


STANDARD  
1/4" HEX  
BIT HOLDER



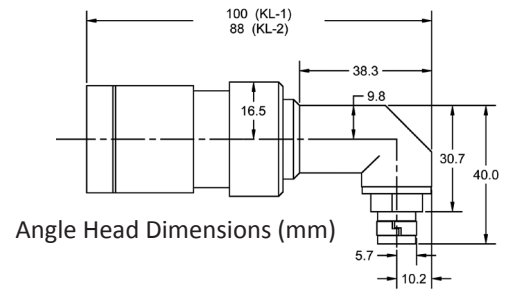
Model	Torque (Nm)	Torque (kgf-cm)	Torque (in-lbs)	Speed (rpm)	Start Type	Screw Diameter (mm)		Length (mm)	Weight (g)(lbs)
						Machine	Tapping		
SK-B6125L	0.49-2.45	5-25	4.34-21.7	1000	Lever	2.6~4.0	2.6~3.5	280	740g 1.6lbs
SK-B6125LF				2000	Lever				
SK-B6125P				1000	Push				
SK-B6125PF				2000	Push				
SK-B6150L	1.96-4.9	20-50	17.4-43.4	1000	Lever	4.0~5.0	≤4.0		
SK-B6150P				1000	Push				





### -RA RIGHT ANGLE LEVER START DRIVERS

Model	Torque (Nm)	Torque (kgf-cm)	Torque (in-lbs)	Speed (rpm)	Screw Diameter (mm)		Power Consum.	Angle Head Part	Weight (g)(lbs)
					Machine	Tapping			
SK-B6125L-RA	0.34-1.71	3.5-17.5	3.0-15.2	1000	2.6~4.0	2.6~3.5	90W	KL-1	990g 2.2lbs
SK-B6125LF-RA				2000					
SK-B6150L-RA	1.37-3.43	14-35	12.2-30.4	1000	4.0~5.0	≤4.0	120W		



### Optional Accessories



**Torque Fixing Ring  
KC-7C**

Cover torque adjustment nut to deter tampering (1 included with driver)



**Suspension Rack  
KH-2L**

Attach to workbench, safely holster driver when not in use (for tool without torque fixing ring)



**Spring Balancer  
KL-1200**

Suspend driver dire ver work area (for tool weight of 0.6-1.5kg, 1.8m travel)

# MANUAL SCREW FEEDER MODELS: KFR-1050 & KFA-0820H

## Features:

- Improve Productivity-Screw dispensed for easy pick-up
- Magnetic or Vacuum pick-up
- Versatile-Ajustable rail for screw sizes (1.0- 5.0 MM Diameter Screws)
- Precise Vibration Control allows feeding of many different screw types and sizes
- Individual Driver Motors for Vibration and Feeding
- Auto Shut-off of vibration/feed when not in use
- Quiet Operation-Simple service and Set-up
- Great Value- Very cost effective way to Increase Productivity
- Small Size-Does not clutter work space
- Includes: AC Adaptor - Input 100-240VAC / Output 12VDC, Set-up tools and Shims.



**KFR-1050**



**KFA-0820H**

## Specifications

Model Name & Number	KFR-1050 Automatic Screw Feeder	KFA-0820H
Size	182(L)X126(W)X147(H) mm	160(L)X82(W)X112(H) mm
Weight	2.49kgs/5.5 lbs	1.49 kgs /3.3lbs
Power Source	AC 100-240V	AC 100~240V
Switching Adaptor	DC 15V Switching Adaptor	DC 12V
Applicable Screw	From M1.0 to M5.0	From M0.8~M2.0 (M0.6 can be customized)
Applicable Screw Length	Up to 19mm(under head)	≤5 mm (under screw head)
Scooping Chamber Capacity	200-220cc	
Accessories in Package & Box	Allen Wrench (L Shaped 2.0 x 107 mm) X 1 pc. Switching Adaptor x 1 Set. Accessory(front) (0.8, 1.0 , 1.2, 1.5, 2.0 x 70 mm)X1 pc. Accessory (behind) (0.2 x 1 ox 20 mm)X2pcs (0.5 x 10 x 20 mm)X10 pcs. Stopper 2.0-5.0mmX1 pc. Instruction Manual	
Package Size	Each Set/Box : 282(L)X142(W)X201(H)mm Each Carton : 450(L)X310(W)X435(H)mm	
Package Weight (Including Machine)	Each Set/Box G.W : Approx 2.63 Kgs Each Carton G.W: Approx 16.53 Kgs (One Carton=6 Sets)	

# SCREW FEEDERS: KFA-0830 & KFA-0820A FOR VACUUM TYPE SCREWDRIVERS & AUTOMATION SYSTEM

## Features:

- Ideal for Robotic Applications-Magnetic or Vacuum pick-up
- Signal Output when screw is ready for pick-up
- Versatile-Adjustable Rail for Screw Sizes (1.0 -3.0 MM Diameter Screws)
- Brushless Driver Motors for Vibration and Feeding
- Quiet Operation-Simple services and Set-up
- Integrated Screw Counter with LED displays for assembly process feedback
- Small size-Does not clutter work space
- Includes: AC Adaptor - Input 100-240VAC / Output 12VDC, Set-up tools and Shims.



**KFA-0830**



**KFA-0820A**

## Specifications

Model Name & Number	KFA-0830 Automatic Screw Feeder	KFA-0820A Vacuum Type
Size	182(L)X124(W)X146(H) mm	160(L)X82(W)X112(H) mm
Weight	3.0kg/ 6.6lbs (w/o adaptor)	1.46 kgs/ 3.2lbs
Power Source	AC 100-240V	AC 100~240V
Switching Adaptor	DC 12V Switching Adaptor	DC 12V
Applicable Screw	From M0.8~M3.0	From M0.8~M2.0 (M0.6 can be customized)
Applicable Screw Length	1.0-15 mm	≤5 mm (under screw head)
Applicable Screw Dia.	1.2-9.5 mm	
Scooping Chamber Capacity	200-220 c.c	
Accessories in Package & Box	Allen Wrench (L Shaped 2.0 x 107 mm) x 1 pc. Switching Adapter x 1 Set. Accessory (front)(0.8, 1.0, 1.2, 1.5, 2.0 x 70mm) X 1pc. Accessory (behind) (0.2 x 10 x 20mm) X 2pcs. (0.5 x 10 x 20mm) X 6pcs. Instruction Manual + Signal Output Module	



**SCREWDRIVERS ASSEMBLED IN U.S.A. BY  
KILEWS WEST USA INC.**

**6945 NW LTC PARKWAY, PORT ST. LUCIE, FL 34986  
PH: 772.293.0071**

**sales@kilewest.com  
www.kilewest.com**

