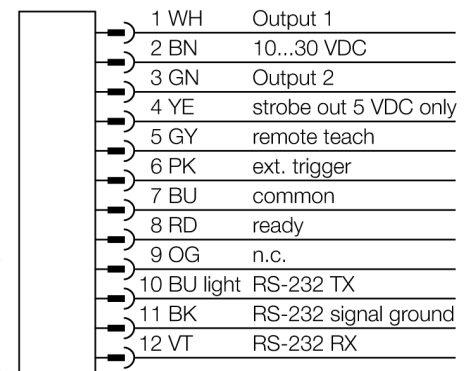




- 1/3" CMOS, 752x480 pixels
- Integrated ring light: white
- Protection class IP67
- External strobe output + 5 VDC
- External trigger input
- Lens, 4.3mm, M12x1
- External display RD35 required
- Operating voltage: 10...30 VDC
- M12 x 1 male, 12-pole
- 2xPNP switching output
- 1x RS232 data communication
- USB-2.0 host: M8 female, 4-pole

| | |
|------------------------------|------------------------|
| Type code | IVURBPW04 |
| Ident no. | 3012244 |
| Design | rectangular, iVu |
| Dimensions | 51.5 x 81.2 x 95.3 mm |
| Housing material | plastic, PBT |
| Window material | Acrylic, clear |
| Connection | male, M12 x 1, 12-wire |
| Protection class | IP67 |
| Ambient temperature | 0...+50 °C |
| Power on display | LED, green |
| Switching state | LED green |
| Error indication | LED red |
| Operating voltage | 10...30VDC |
| DC rated operational current | ≤ 500 mA |
| Short-circuit protection | yes/ cyclic |
| Reverse polarity protection | yes |
| Switch element function | NO contact, PNP |
| Output current | ≥ 150 mA |
| Operating mode | BCR |
| Bildsensor | CMOS |
| Auflösung | 752 x 480 Pixel |
| Bildfrequenz | 50 fps |
| Light type | white |
| Brennweite | 4.3 mm |

Wiring diagram



Functional principle

The barcode reader consists of a camera and an integrated light (not IVUTBPX version) able to scan up to 10 different barcodes and to transmit the data via the RS232 interface. A selection can be configured for certain barcode types such as DataMatrix (ECC 200) and a number of linear codes such as Code128, Code39, CODABAR, Interleaved 2 of 5, EAN13, EAN8, UPCE, Postnet, IMB and Pharmacode.

Sensor configuration via PC is not required! Transmission of log files and firmware updates via USB interface.



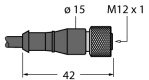
Selecting the focal length

With known object size or scan field the matching vision sensor is found simply by determining the ratio between the sensing range and the focal length. Use the graphics for selection. Here, the sensing ranges are put in relation to the field view and the lens focal length.

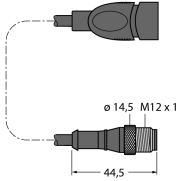
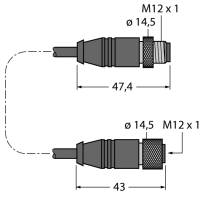
Accessories

| Type code | Ident no. | Description | Dimension drawing |
|-----------|-----------|---|---|
| SMBIVURAR | 3082547 | Brackets for mounting on right side |  |
| SMBIVURAL | 3082546 | Brackets for mounting on left side |  |
| SMBIVUU | 3082549 | U-bracket for base mounting (incl. SMBIVUB baseplate) |  |
| SMBIVUB | 3082548 | Baseplate to extend the installation |  |

Wiring accessories

| Type code | Ident no. | Description | Dimension drawing |
|-------------|-----------|--|---|
| MQDC2S-1206 | 3011420 | Power supply, M12x1 female, 12-pole, 1.83m |  |

Wiring accessories

| Type code | Ident no. | Description | Dimension drawing |
|---------------|-----------|---|---|
| MQDEC-801-USB | 3081158 | USB adapter cable, M12x1 male, 8-pole, 0.3m |  |
| IVURDM-QD-803 | 3028673 | Remote Display, M12 x 1, 8-pin, 0.91 m |  |

Function accessories

| Type code | Ident no. | Description | Dimension drawing |
|-----------|-----------|-------------|---|
| RDM35 | 3029512 | |  |