

Customer

SIEMENS S.p.A.



HYDROSERVICE S.p.A.
HYDRAULIC PLANTS

Confirmation

16-2781

Hydraulic Scheme

86271216

Equipment Code

1019605

Customer Order

4512924817/5180/I-16-00423-01

Position

016 039

Item Code

1005728...

Item Description

SUCTION FILTER

STR

MPA - MPM

Flow rates to 875 l/min



Technical data

STR (Materials)

- 1 - Connection: Nylon
- 2 - Core tube: Tinned Steel
- 3 - Filter media: Wire mesh
- 4 - End cap: Nylon
- 5 - Bypass valve: Nylon - Steel

MPA - MPM (Materials)

- 1 - Connection: Aluminium
- 2 - Magnetic column
- 3 - Tie rod: Galvanized Steel
- 4 - End caps: Galvanized Steel
- 5 - Core tube: Galvanized Steel
- 6 - Filter media: Wire mesh
- 7 - Bottom: Galvanized Steel
- 8 - Washer: Galvanized Steel
- 9 - Self-locking nut: Galvanized Steel - Nylon

Filtration

- M60: 60 µm
- M90: 90 µm
- M250: 250 µm

Temperature

- From -25 °C to +110 °C

Bypass valve

- Opening pressure 30 kPa ± 10%

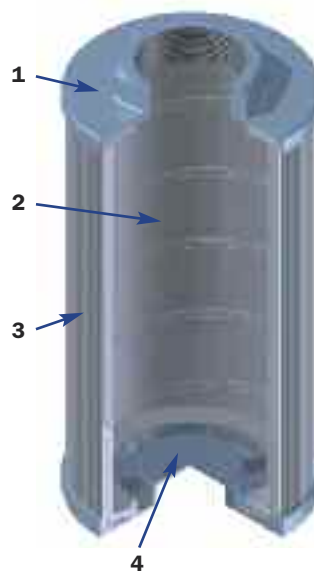
Elements

- Fluid flow through the filter element from OUT to IN.

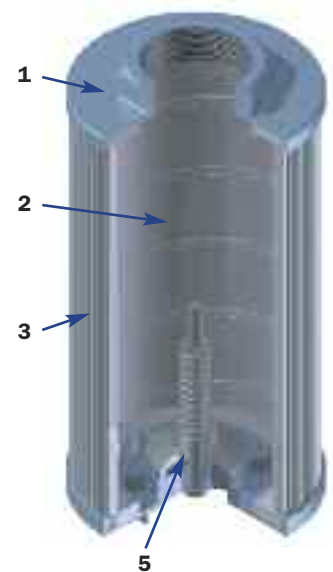
STR - Weights (kg): See table on page 12

MPA - MPM - Weights (kg): See table on page 14

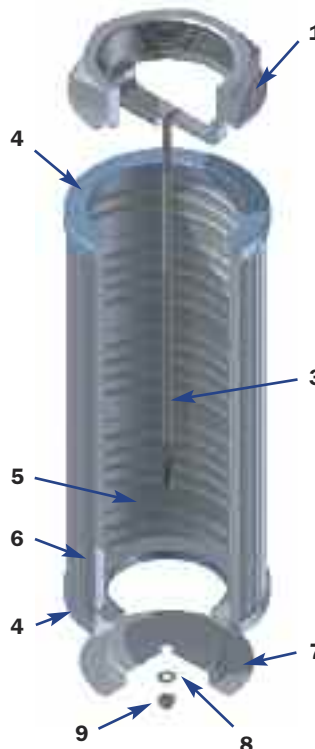
STR
Without bypass



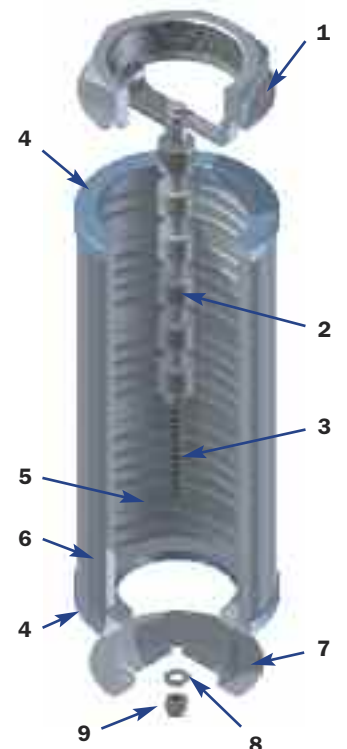
STR
With bypass



MPA
Without magnetic column

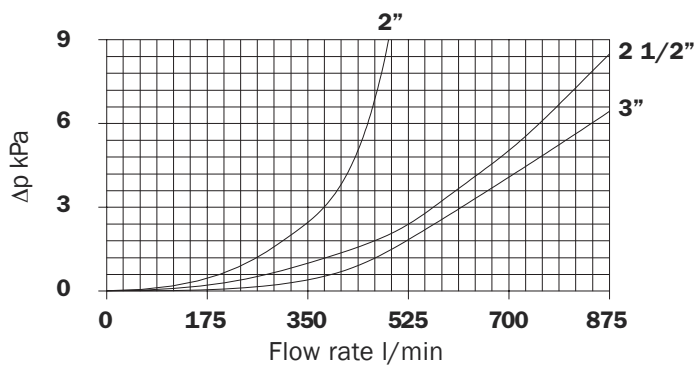
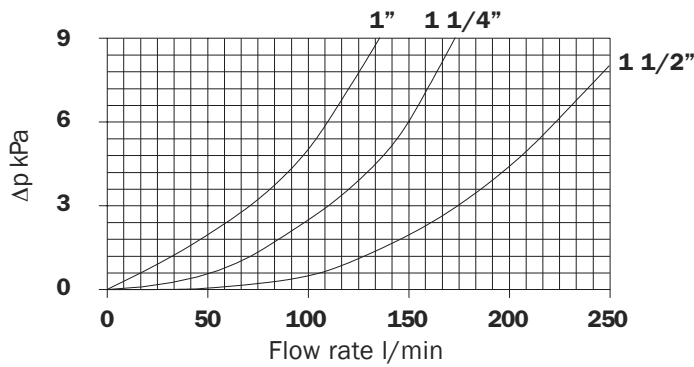
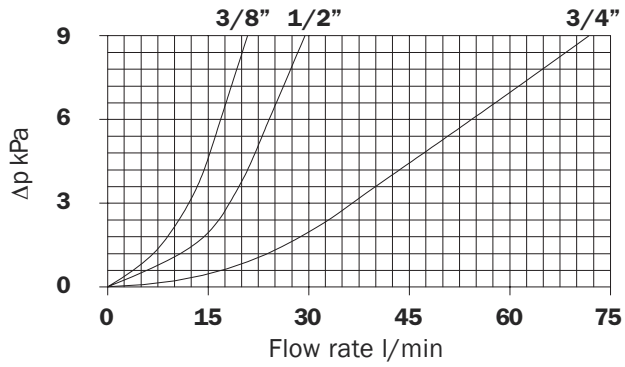


MPM
With magnetic column

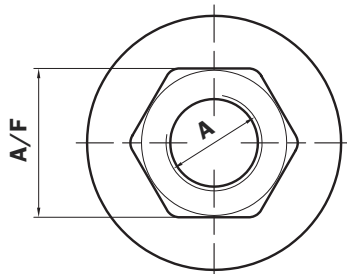
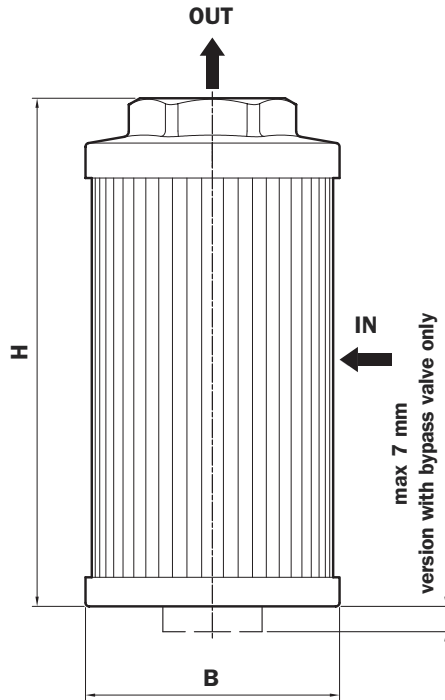


Filter housing Δp pressure drop

The curves are plotted utilising mineral oil with density of 0,86 kg/dm³ to ISO 3968. Δp varies proportionally with density.

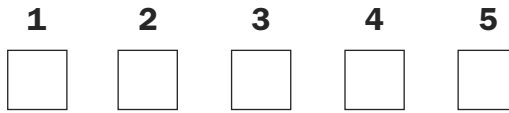


STR



Size	A	B mm	H mm	A/F mm	Weight (kg)
045-1 G1	G 3/8"				0,15
045-1 G2	3/8" NPT	46	105		0,15
045-2 G1	G 1/2"				0,19
045-2 G2	1/2" NPT			30	0,19
050-1 G1	G 3/8"				0,11
050-1 G2	3/8" NPT	52	79		0,11
050-2 G1	G 1/2"				0,11
050-2 G2	1/2" NPT				0,11
065-1 G1	G 1/2"				0,19
065-1 G2	1/2" NPT		110		0,19
065-2 G1	G 3/4"	65			0,22
065-2 G2	3/4" NPT				0,22
065-3 G1	G 3/4"				0,24
065-3 G2	3/4" NPT		144		0,24
065-4 G1	G 1"				0,22
065-4 G2	1" NPT				0,22
070-1 G1	G 1/2"				0,18
070-1 G2	1/2" NPT		95	41	0,18
070-2 G1	G 3/4"				0,17
070-2 G2	3/4" NPT				0,17
070-3 G1	G 3/4"	70			0,23
070-3 G2	3/4" NPT				0,23
070-4 G1	G 1"				0,22
070-4 G2	1" NPT		141		0,22
070-6 G1	G 1/2"				0,24
070-6 G2	1/2" NPT				0,24
086-1 G1	G 1 1/2"				0,33
086-1 G2	1 1/2" NPT		143		0,33
086-2 G1	G 2"				0,30
086-2 G2	2" NPT				0,30
086-3 G1	G 1 1/2"				0,43
086-3 G2	1 1/2" NPT	86	201		0,43
086-4 G1	G 2"				0,40
086-4 G2	2" NPT				0,40
086-5 G1	G 1 1/2"				0,53
086-5 G2	1 1/2" NPT		261		0,53
086-6 G1	G 2"				0,50
086-6 G2	2" NPT				0,50
100-1 G1	G 1 1/4"		137	69	0,47
100-1 G2	1 1/4" NPT				0,47
100-2 G1	G 1 1/4"				0,58
100-2 G2	1 1/4" NPT				0,58
100-3 G1	G 1 1/2"				0,55
100-3 G2	1 1/2" NPT	99	227		0,55
100-4 G1	G 2"				0,51
100-4 G2	2" NPT				0,51
100-5 G1	G 1 1/2"				0,43
100-5 G2	1 1/2" NPT		137		0,43
140-1 G1	G 1 1/2"				0,70
140-1 G2	1 1/2" NPT		160		0,70
140-2 G1	G 2"				0,68
140-2 G2	2" NPT				0,68
140-3 G1	G 2"				0,94
140-3 G2	2" NPT	130	262		0,94
140-4 G1	G 2 1/2"				1,10
140-4 G2	2 1/2" NPT		272		1,10
140-5 G1	G 3"				1,0
140-5 G2	3" NPT			101	1,0
140-6 G1	G 3"				1,17
140-6 G2	3" NPT		330		1,17

STR



Example: STR 070-4 S G1 M90 P01

1 - Style	Size	Pieces per box
045-1	3/8"	12
045-2	1/2"	12
050-1	3/8"	12
050-2	1/2"	12
065-1	1/2"	6
065-2	3/4"	6
065-3	3/4"	6
065-4	1"	6
070-1	1/2"	6
070-2	3/4"	6
070-3	3/4"	6
070-4	1"	6
070-6	1/2"	6
086-1	1 1/2"	6
086-2	2"	6
086-3	1 1/2"	6
086-4	2"	6
086-5	1 1/2"	6
086-6	2"	6
100-1	1 1/4"	6
100-2	1 1/4"	6
100-3	1 1/2"	6
100-4	2"	6
100-5	1 1/2"	6
140-1	1 1/2"	-
140-2	2"	-
140-3	2"	-
140-4	2 1/2"	-
140-5	3"	-
140-6	3"	-

2 - Valves

S	Without bypass
B	With bypass

3 - Connection

G1	GAS thread
G2	NPT thread

4 - Filter element

M25	Wire mesh 25 µm	} Nominal Filtration
M60	Wire mesh 60 µm	
M90	Wire mesh 90 µm	
M250	Wire mesh 250 µm	

5 - Options

P01	MP Filtri standard
-----	--------------------

MP Filtri - The filter functions as described in this bulletin are valid exclusively for original MP Filtri filter elements and replacement parts. All rights reserved

The data in this publication are purely guideline. MP Filtri reserves the right to make changes to the models described herein at any time it deems fit in relation to technical or commercial requirements. The colours of the products shown on the cover are purely guideline. Copyright. All rights reserved.

